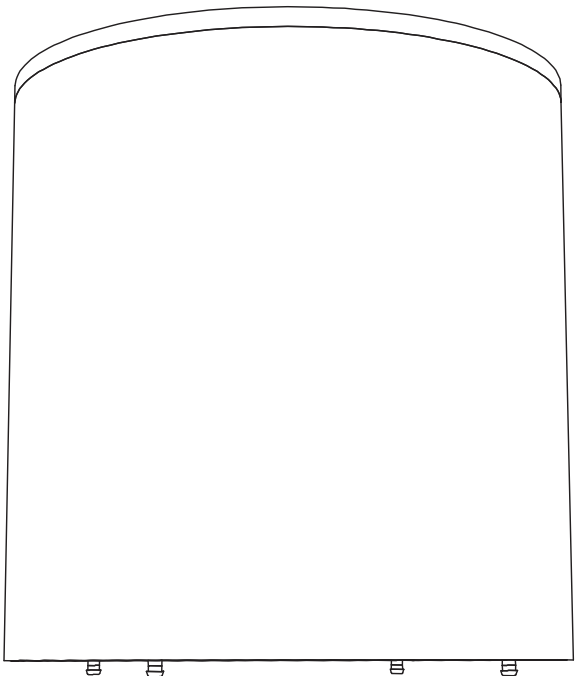


# EXPOLIGHT CURVE ROUND TABLE ASSEMBLY

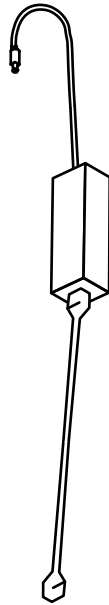


Expo **EXPO** Displays<sup>®</sup>  
A Division of Diamond Displays International

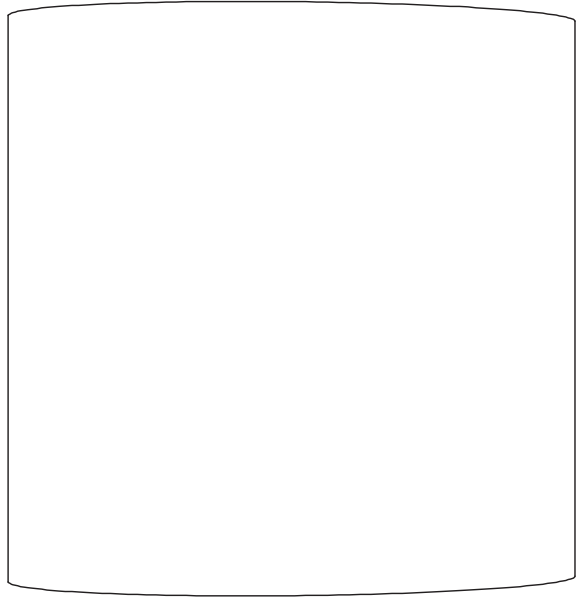


## PARTS NEEDED :

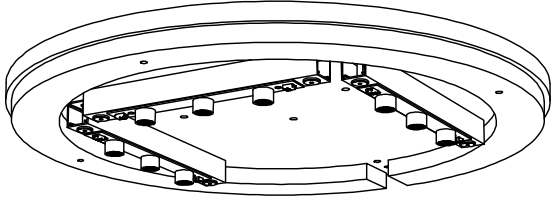
POWER CORD & TRANSFORMER



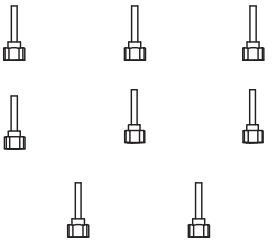
BACKLIT GRAPHIC



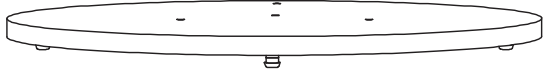
LIGHT BAR TOP



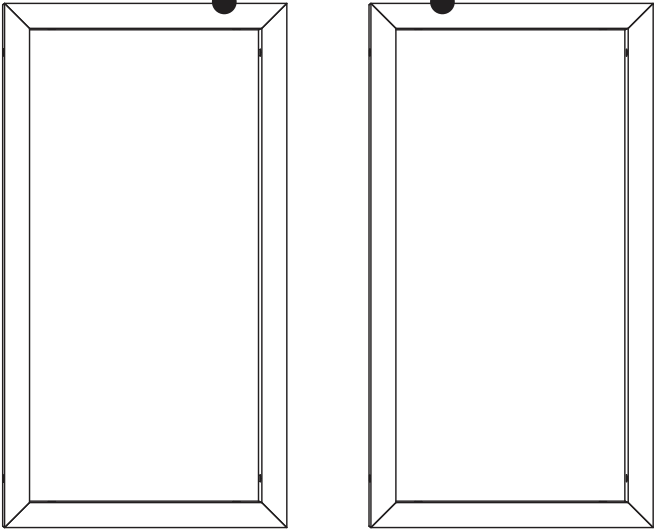
RED THUMBSCREWS



BOTTOM WITH FEET



(2)  
VERTICAL FRAME(S)



**ASSEMBLY INSTRUCTIONS**  
**EXPOLIGHT<sup>®</sup> ASSEMBLY**

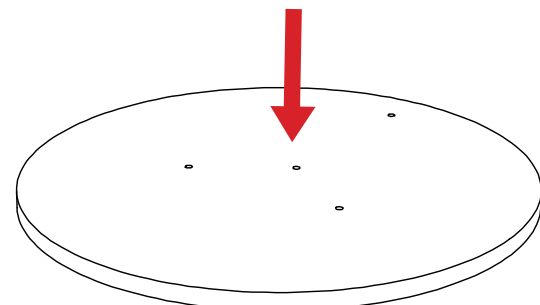
# EXPOLIGHT CURVE ROUND TABLE ASSEMBLY



Expo **EXPO** Displays  
A Division of Diamond Displays International

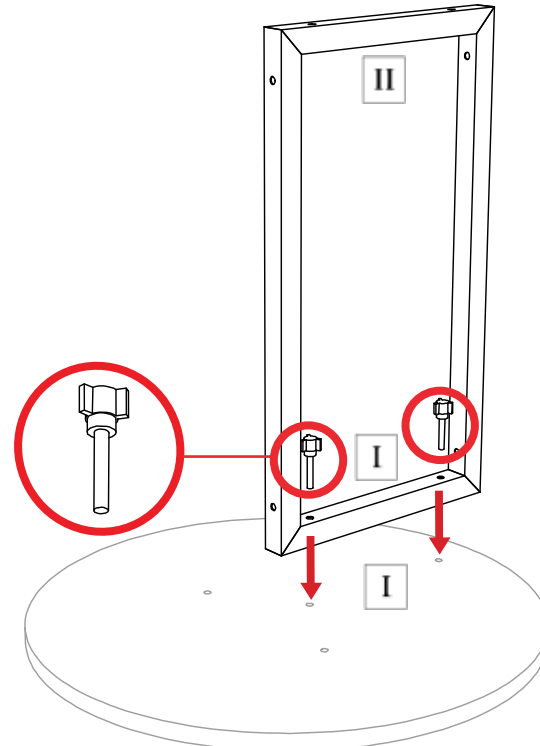
ASSEMBLY INSTRUCTIONS

EXPOLIGHT® ASSEMBLY



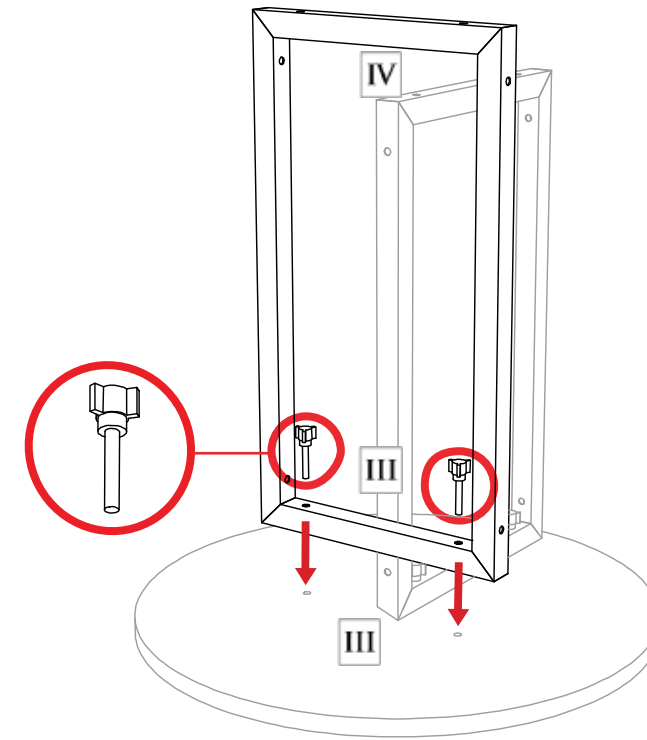
## STEP 1

PLACE (1) **BOTTOM WITH FEET**  
TOUCHING FLOOR



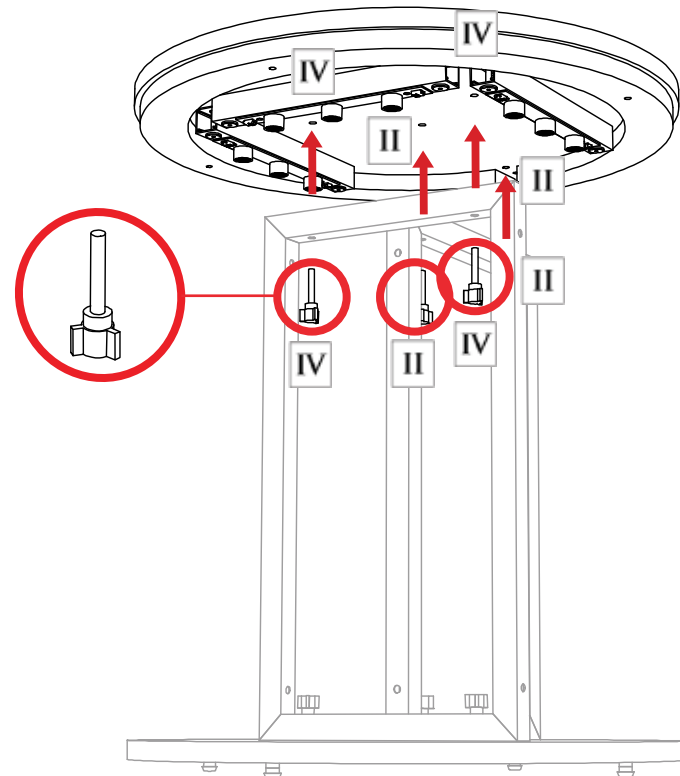
## STEP 2

MATCH NUMBERS TO CONNECT  
(1) **VERTICAL FRAME TO BOTTOM** WITH  
(2) **RED THUMBSCREWS**



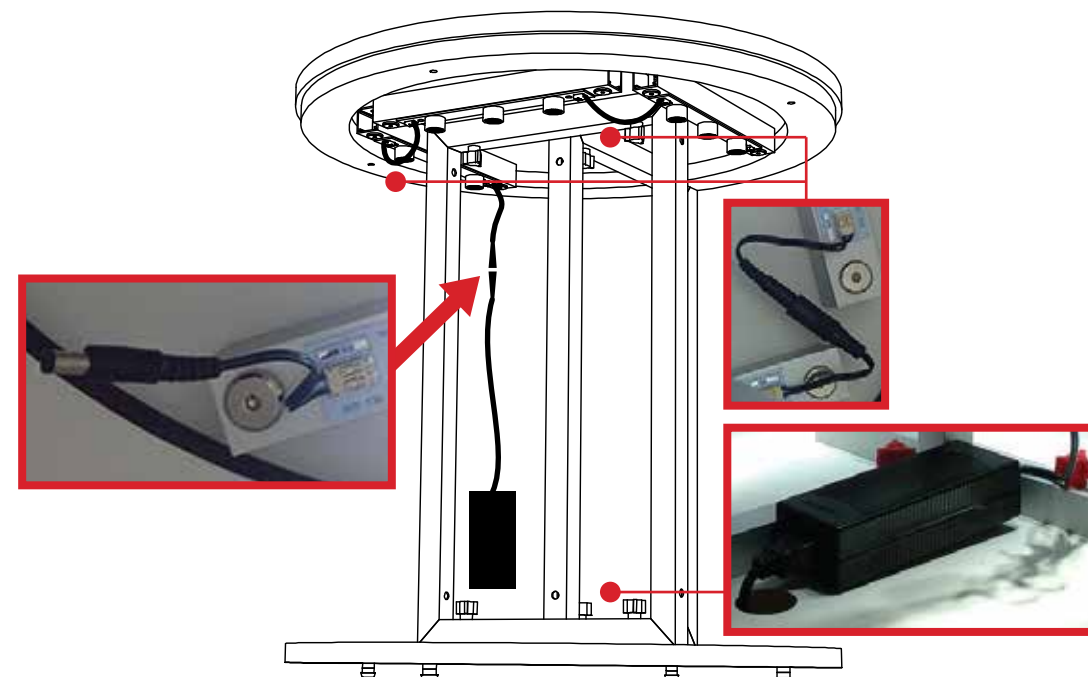
## STEP 3

MATCH NUMBERS TO CONNECT  
(1) **VERTICAL FRAME TO BOTTOM** WITH  
(2) **RED THUMBSCREWS**



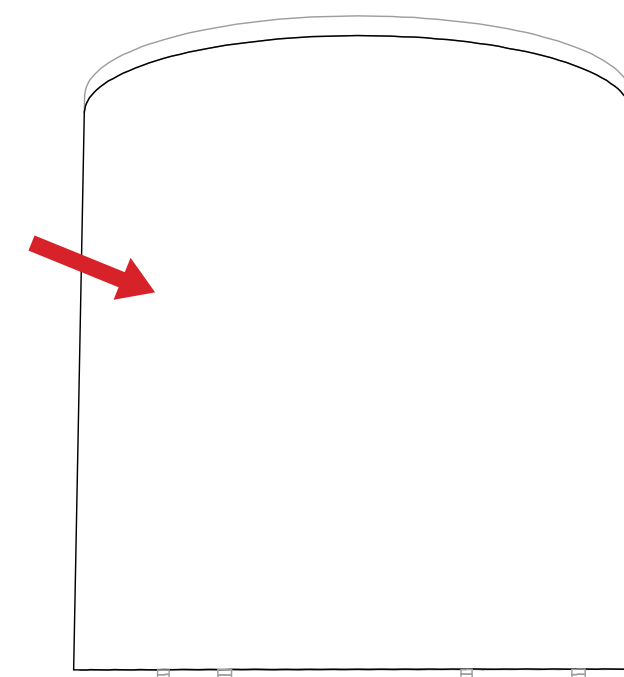
## STEP 4

CONNECT (1) **LIGHT BAR TOP** TO  
**VERTICAL FRAMES** WITH (4) **RED THUMBSCREWS**



## STEP 5

CONNECT **POWER SUPPLY** TO  
**11" LIGHTBAR END**



## STEP 6

ATTACH MAGNETIC  
**ROUND BACKLIT GRAPHIC**