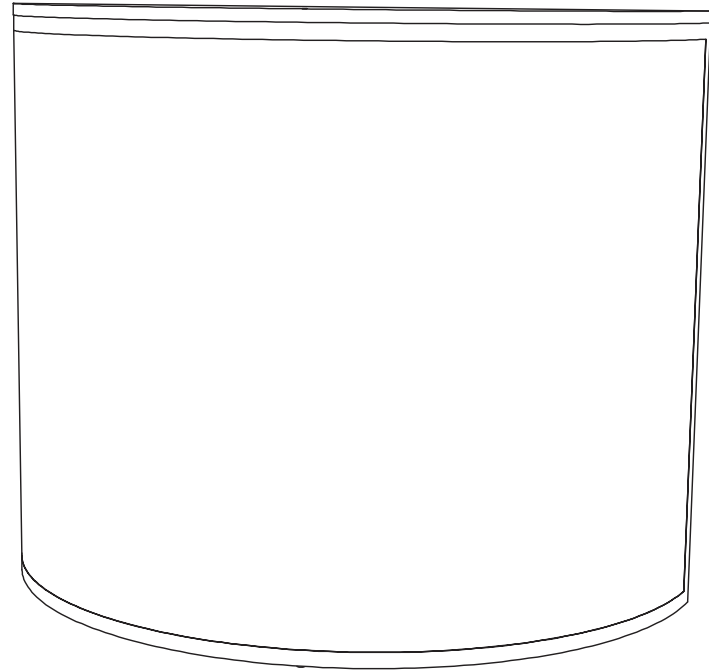


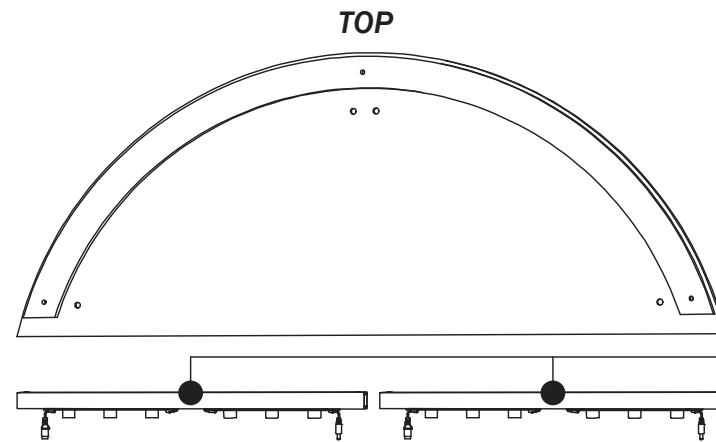
EXPOLIGHT CURVE PODIUM ASSEMBLY



Expo **EXPO** Displays[®]
A Division of Diamond Displays International

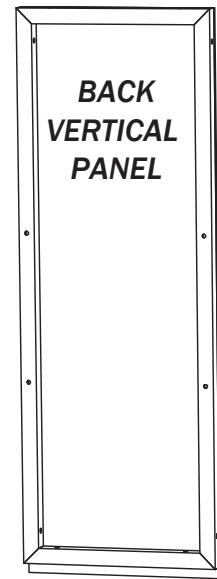
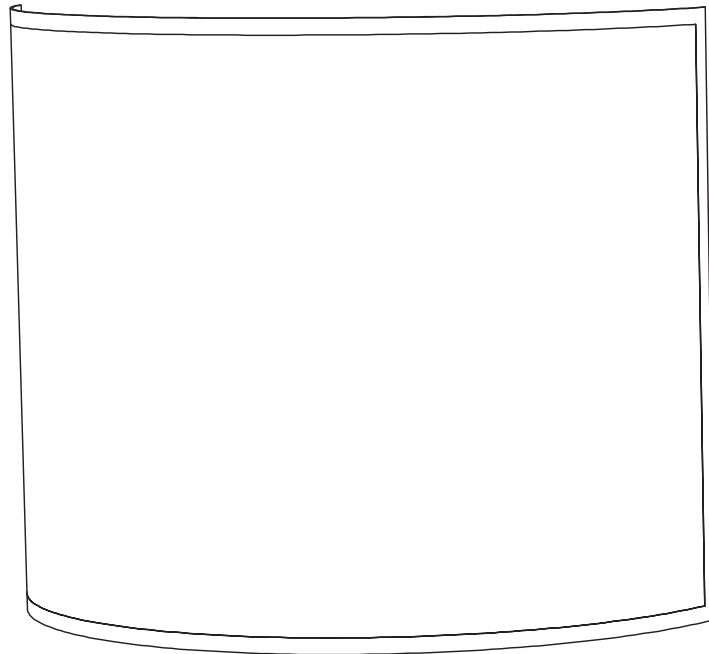


PARTS NEEDED :

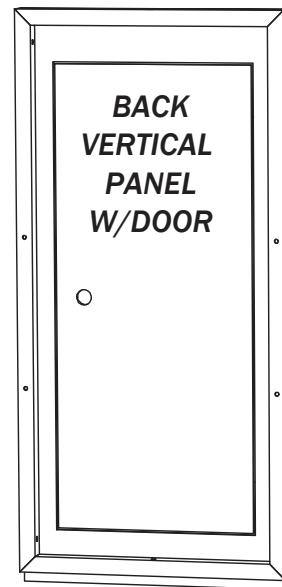


(2)
LIGHTBAR(S)

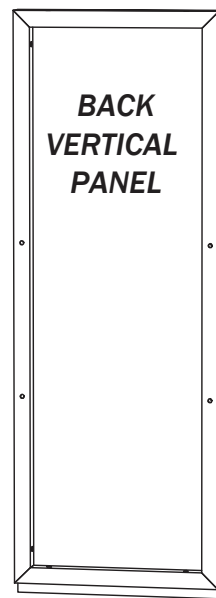
BACKLIT
GRAPHIC



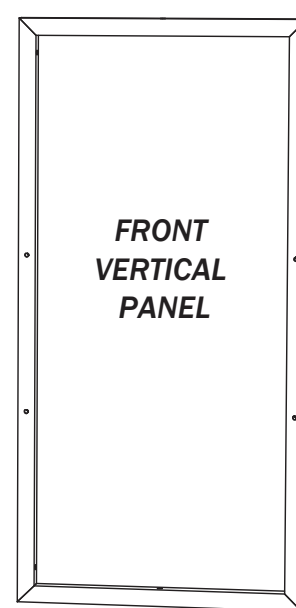
BACK
VERTICAL
PANEL



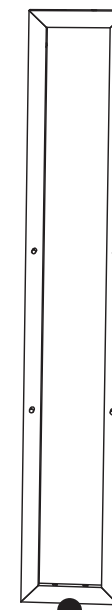
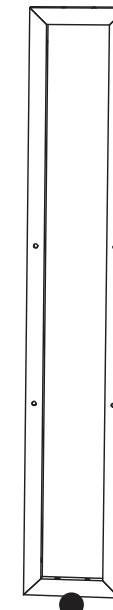
BACK
VERTICAL
PANEL
W/DOOR



BACK
VERTICAL
PANEL

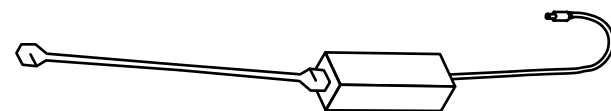


FRONT
VERTICAL
PANEL

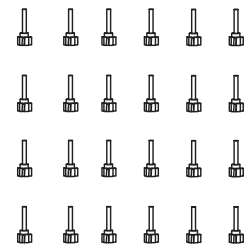


(2)
SIDE PANEL(S)

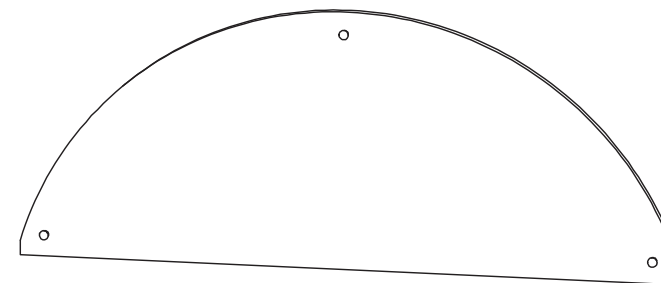
POWER CORD & TRANSFORMER



RED THUMBSCREWS



SHELF PEGS

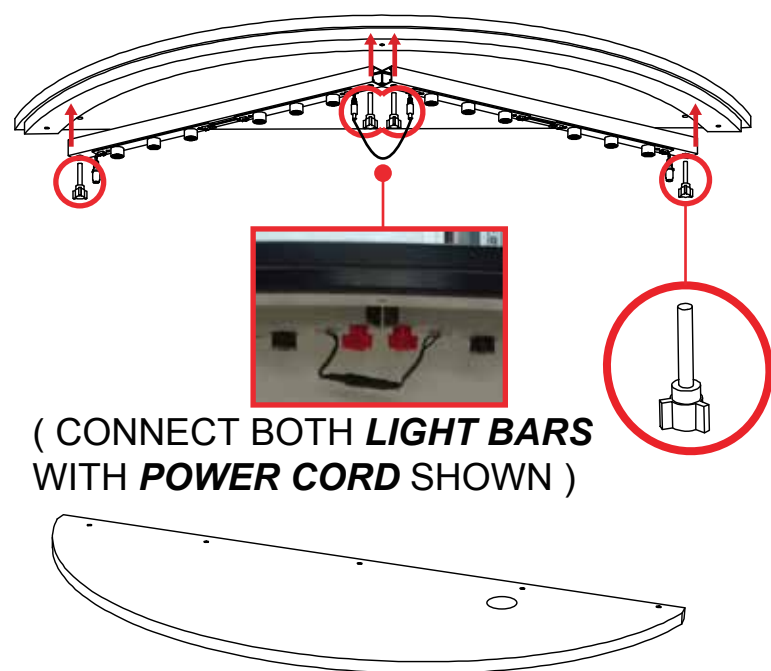


BOTTOM WITH FEET

ASSEMBLY INSTRUCTIONS

EXPOLIGHT[®] ASSEMBLY

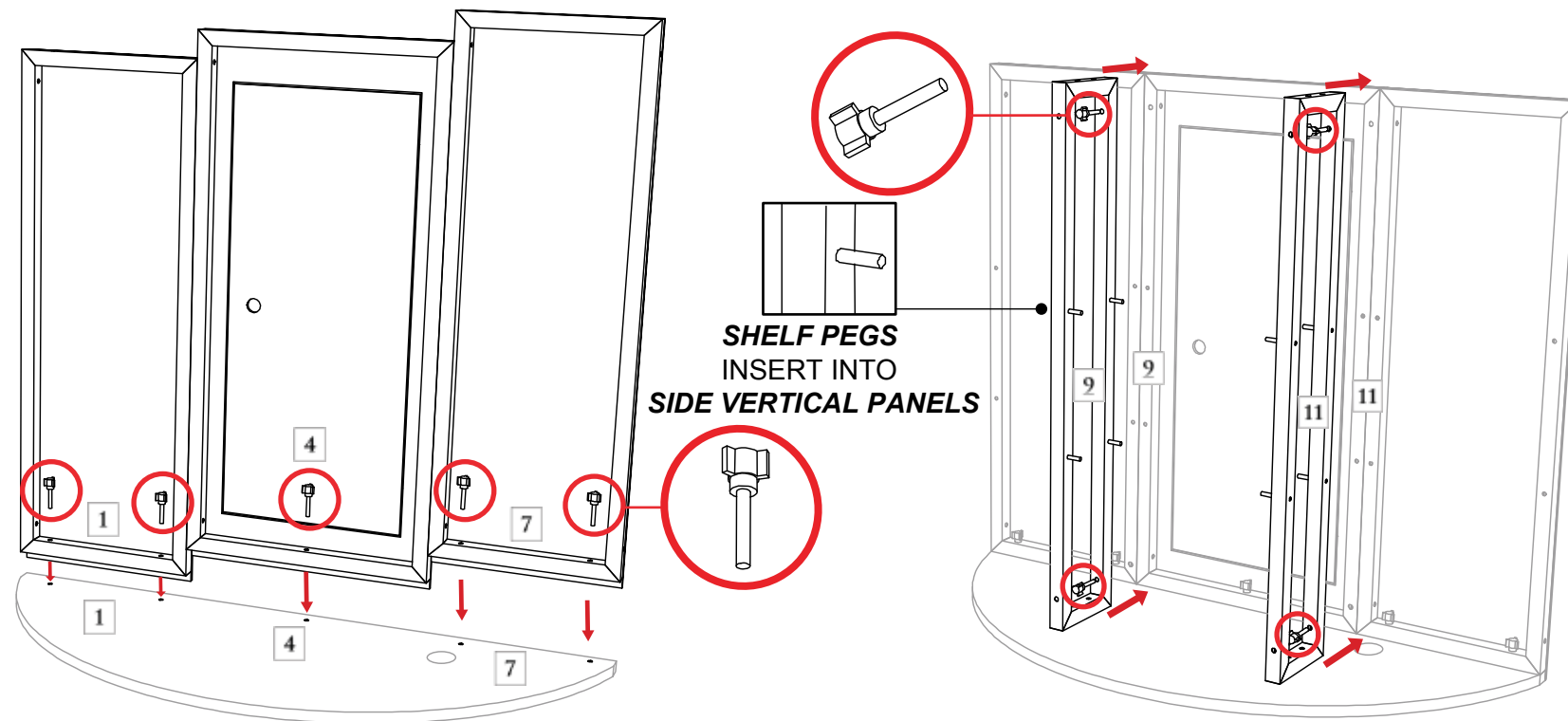
EXPOLIGHT CURVE PODIUM ASSEMBLY



(CONNECT BOTH *LIGHT BARS* WITH *POWER CORD* SHOWN)

STEP 1

MATCH NUMBERS TO CONNECT (4) *16" LIGHTBARS* TO *BOTTOM* AND *TOP* WITH (8) *RED THUMBSCREWS*



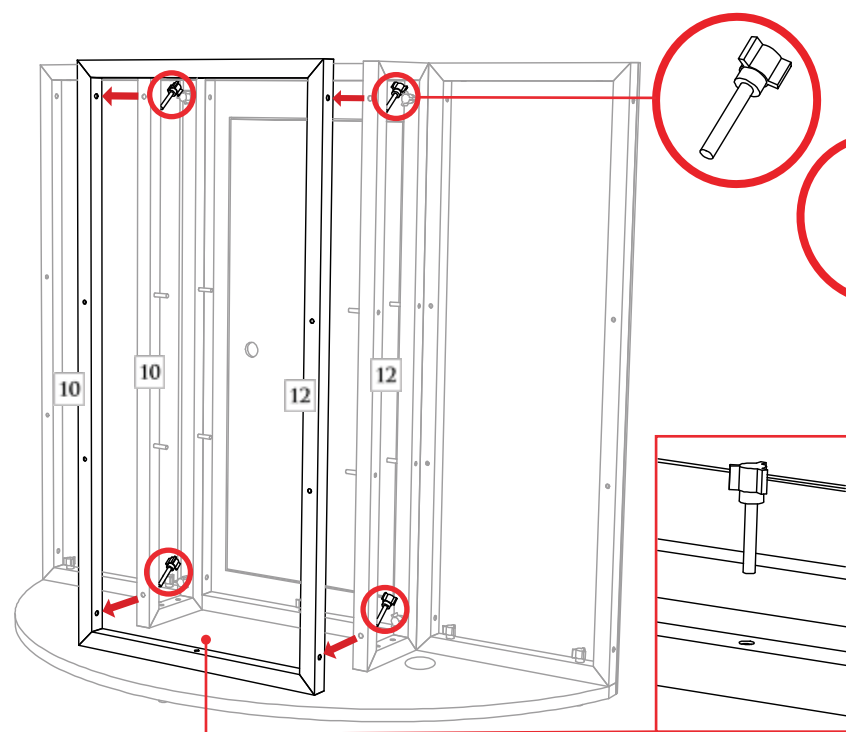
SHELF PEGS INSERT INTO *SIDE VERTICAL PANELS*

STEP 2

MATCH NUMBERS TO CONNECT (3) *BACK VERTICAL PANELS* TO *BOTTOM* WITH (5) *RED THUMBSCREWS*

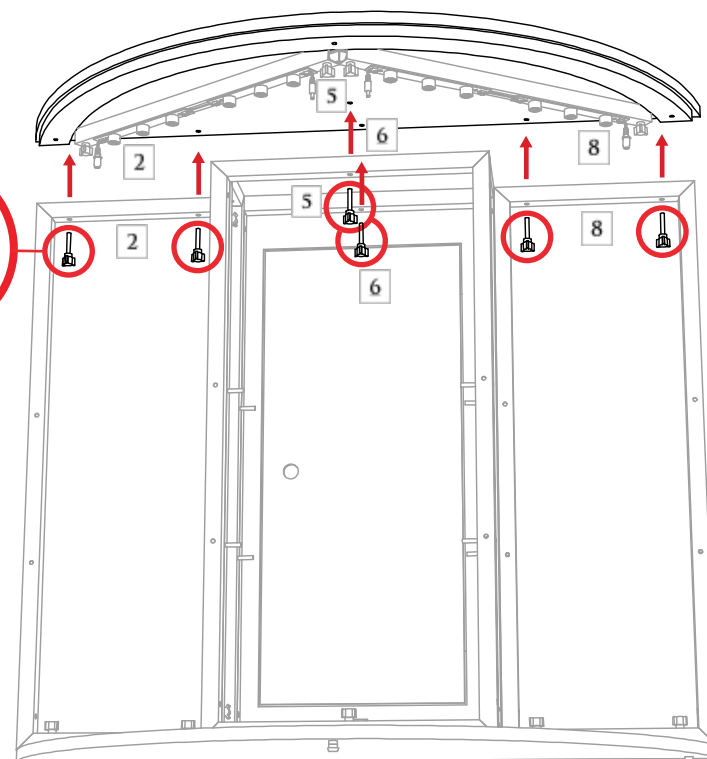
STEP 3

MATCH NUMBERS TO CONNECT (2) *SIDE VERTICAL PANELS* TO *BACK* WITH (4) *RED THUMBSCREWS*



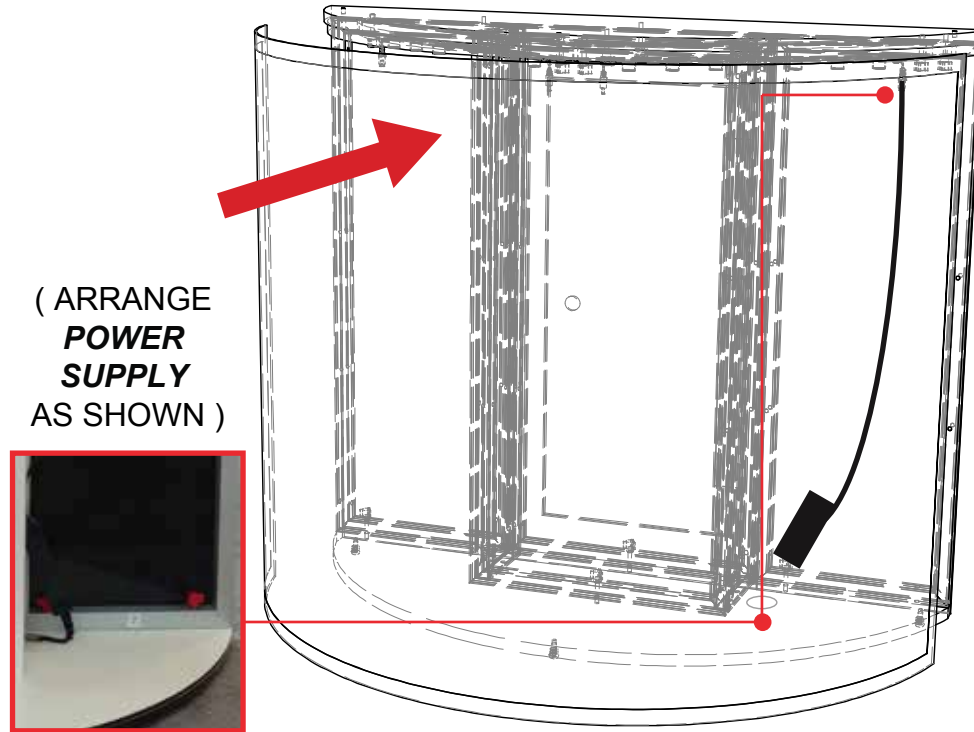
STEP 4

MATCH NUMBERS TO CONNECT (1) *FRONT VERTICAL PANEL* TO *SIDE PANELS* WITH (5) *RED THUMBSCREWS*



STEP 5

MATCH NUMBERS TO CONNECT (1) *TOP* TO *VERTICAL FRAMES* WITH (6) *RED THUMBSCREWS*



(ARRANGE *POWER SUPPLY* AS SHOWN)

STEP 6

CONNECT *POWER SUPPLY* THEN ATTACH *MAGNETIC CURVED BACKLIT GRAPHIC*



Expo **EXPO** Displays
A Division of Diamond Displays International

ASSEMBLY INSTRUCTIONS
EXPOLIGHT® ASSEMBLY