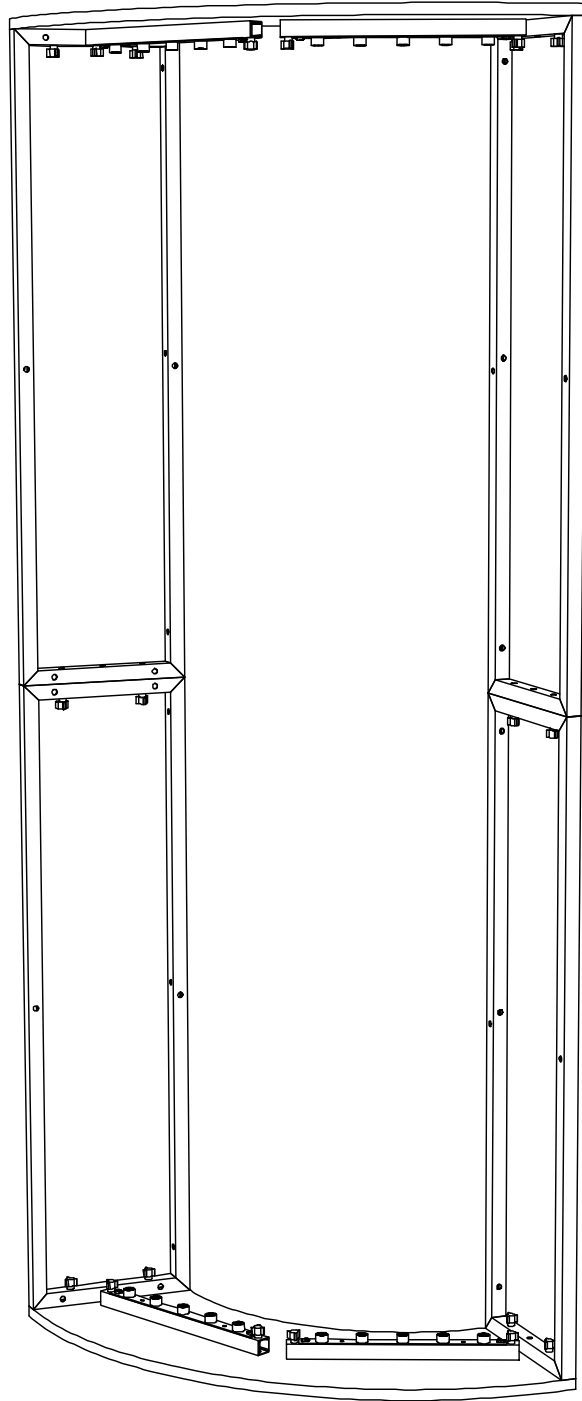
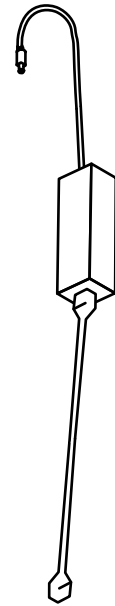


EXPOLIGHT CURVE ASSEMBLY (CONCAVE OR CONVEX)

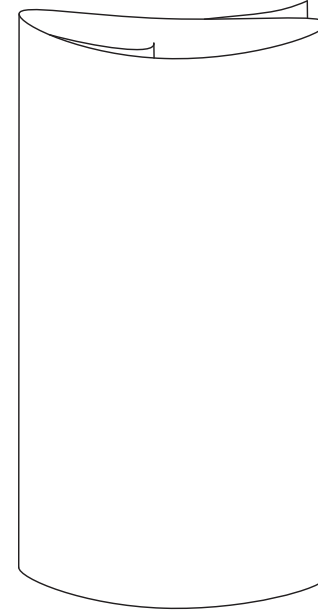


PARTS NEEDED :

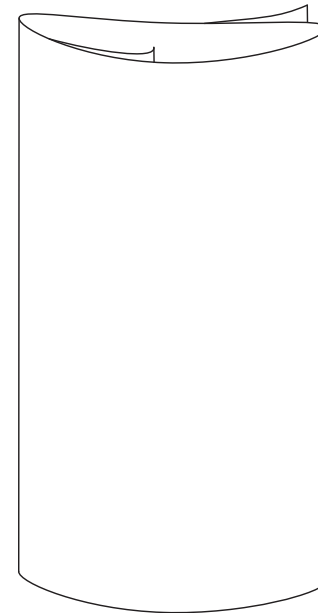
POWER CORD
& TRANSFORMER



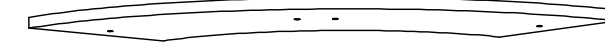
BACKLIT
GRAPHIC



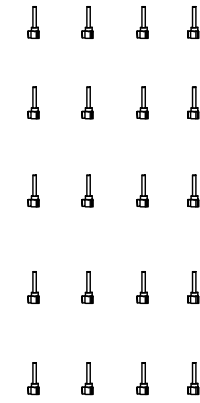
MAGNETIC REAR
LIGHT BLOCKER



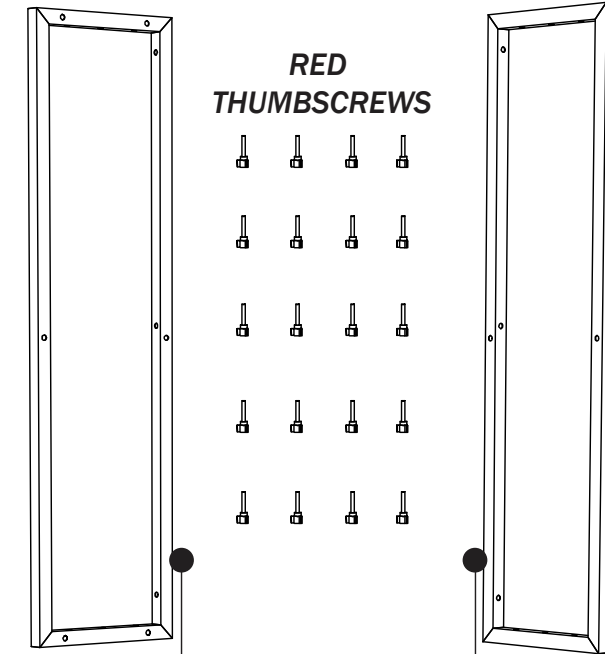
TOP



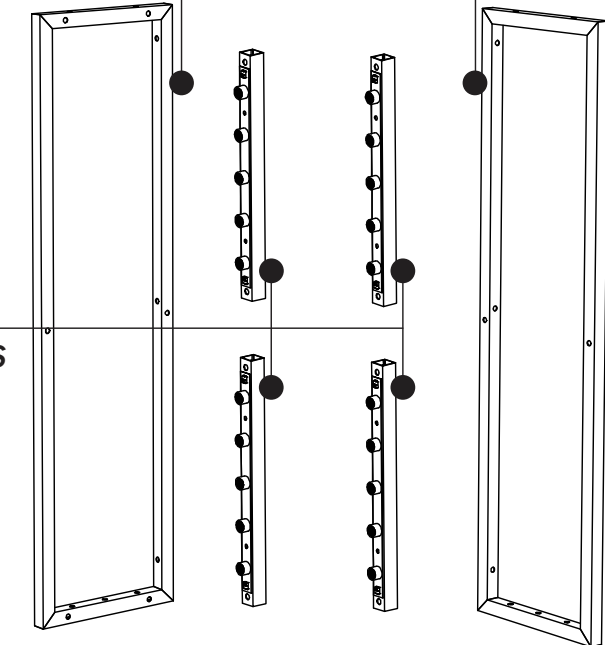
RED
THUMBSCREWS



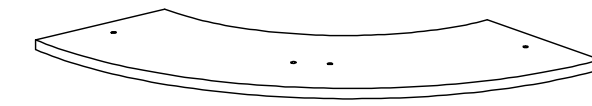
(4)
TOP VERTICAL FRAMES



(4)
16" LIGHTBARS



BOTTOM

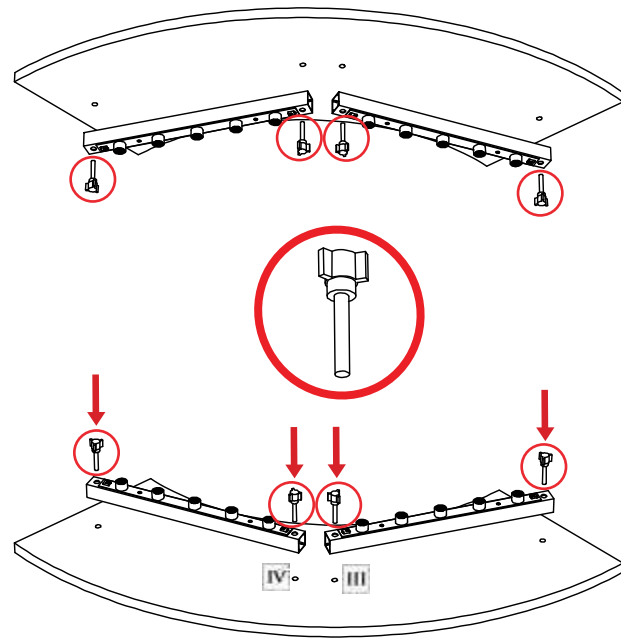


Expo **EXPO** Displays
A Division of Diamond Displays International

ASSEMBLY INSTRUCTIONS

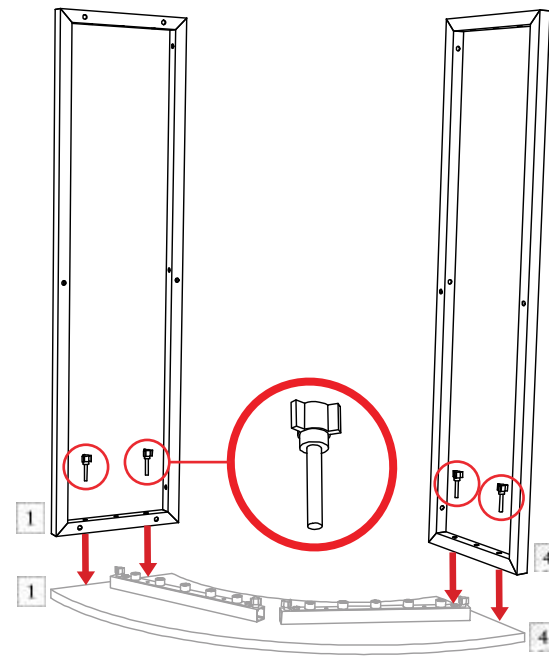
EXPOLIGHT® ASSEMBLY

EXPOLIGHT CURVE ASSEMBLY (CONCAVE OR CONVEX)



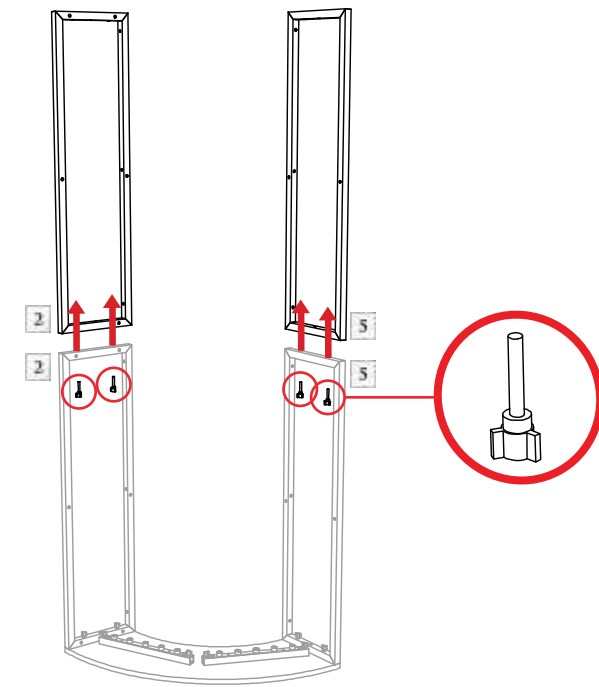
STEP 1

MATCH NUMBERS TO CONNECT
(4) 16" LIGHTBARS TO **BOTTOM** AND **TOP**
WITH (8) **RED THUMBSCREWS**



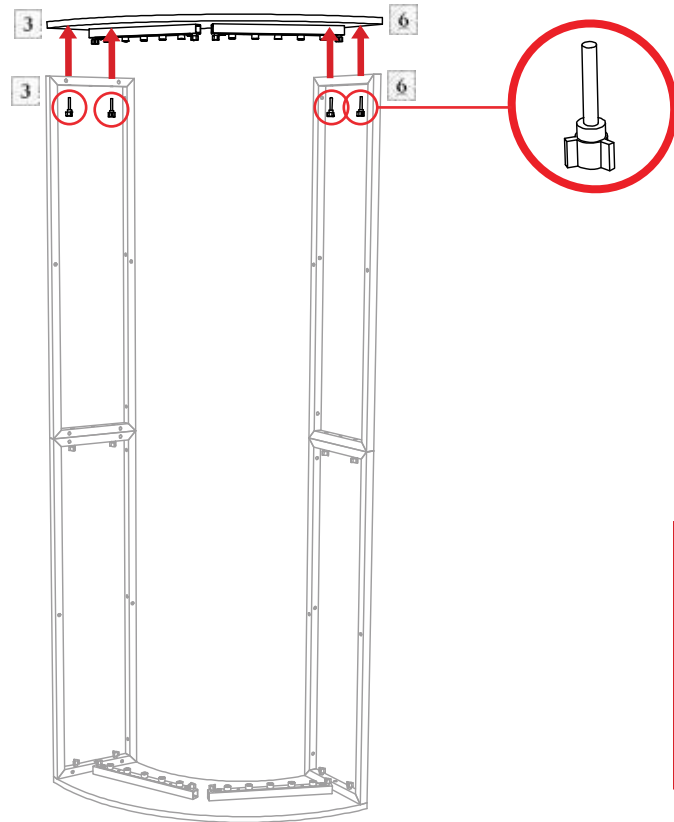
STEP 2

MATCH NUMBERS TO CONNECT
(2) **TOP VERTICAL FRAMES** TO **BOTTOM**
WITH (4) **RED THUMBSCREWS**



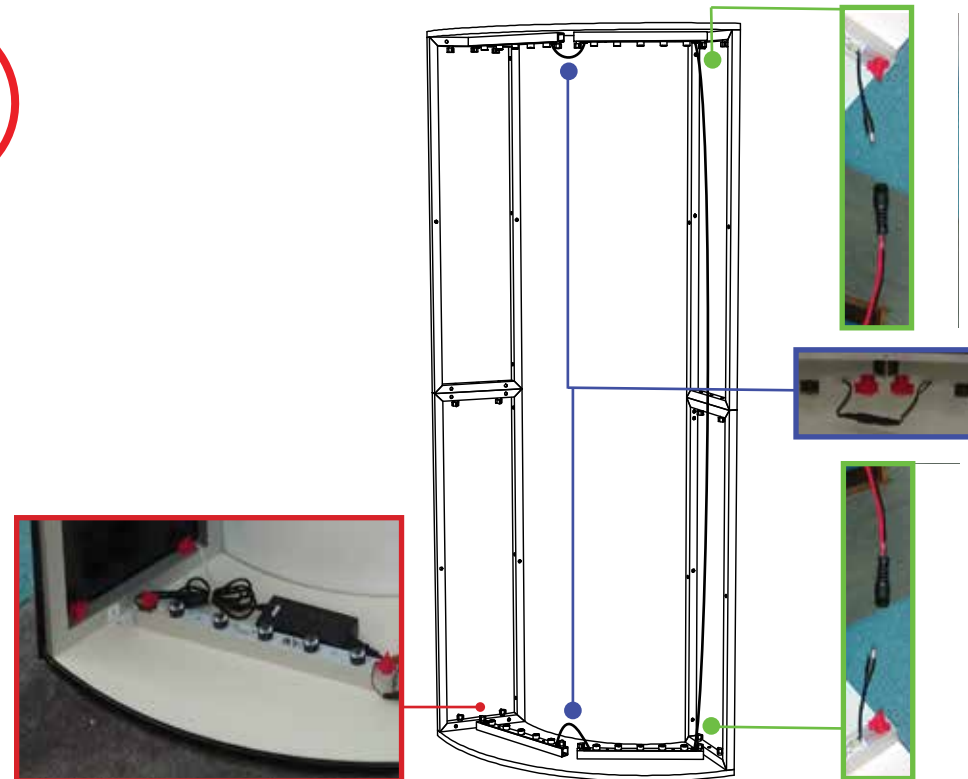
STEP 3

MATCH NUMBERS TO CONNECT
(2) **TOP VERTICAL FRAMES** TO
TOP VERTICAL FRAMES WITH (4) **RED THUMBSCREWS**



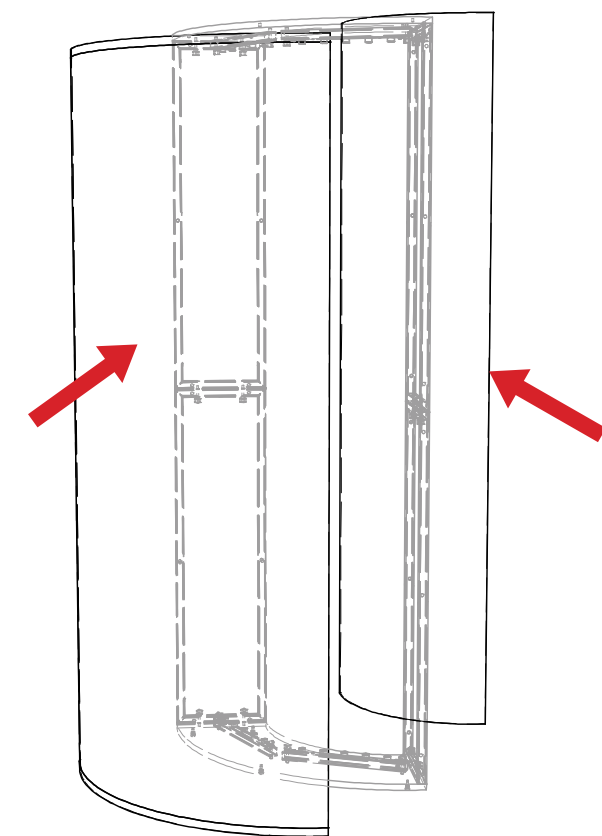
STEP 4

MATCH NUMBERS TO CONNECT **TOP** TO
TOP VERTICAL FRAME WITH (4) **RED THUMBSCREWS**



STEP 5

CONNECT 16" **LIGHTBARS** WITH **POWER CORDS**
AND ARRANGE **POWER SUPPLY** AS SHOWN



STEP 6

ATTACH **MAGNETIC**
LIGHT BLOCKER & BACKLIT GRAPHIC



Expo **EXPO** Displays[®]
A Division of Diamond Displays International

ASSEMBLY INSTRUCTIONS

EXPOLIGHT[®] ASSEMBLY