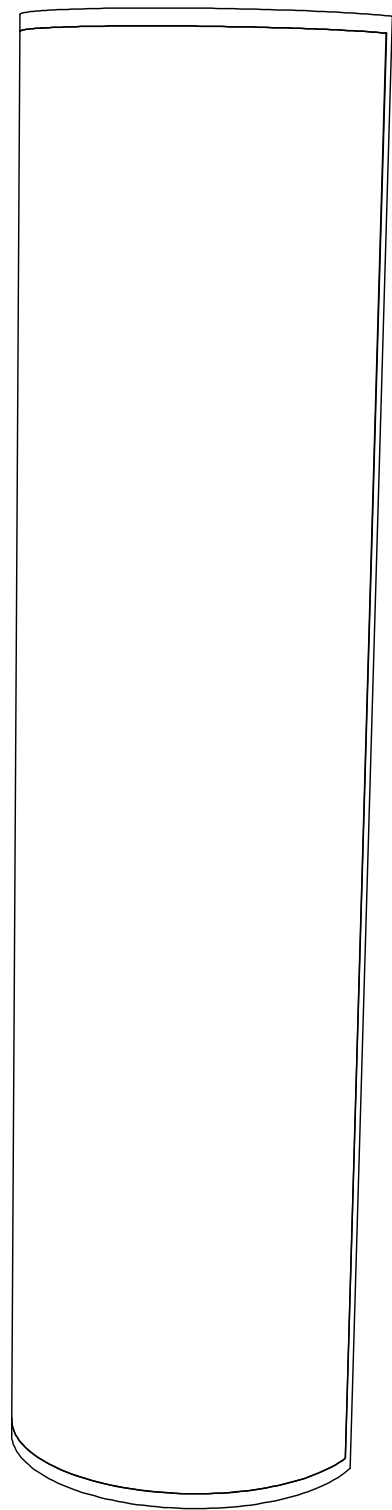


EXPOLIGHT CURVE BUBBLE ASSEMBLY

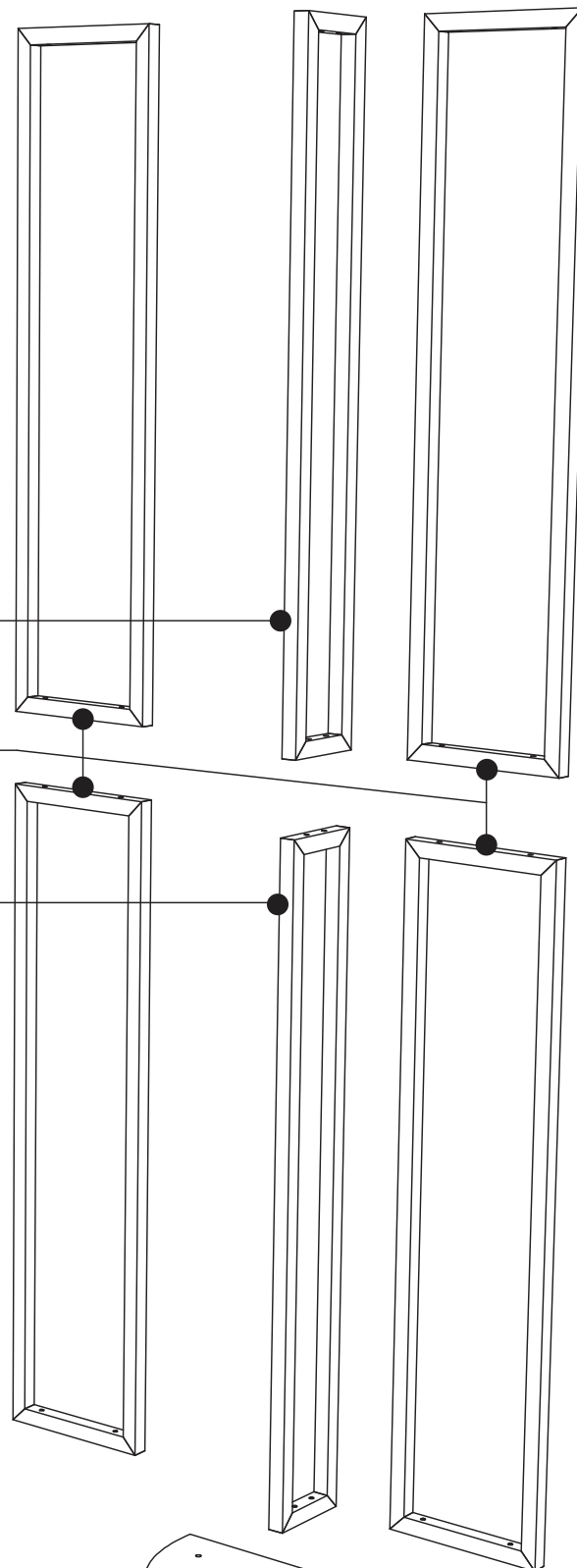


PARTS NEEDED :

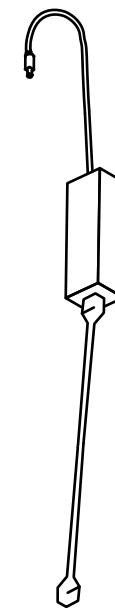
(2)
6 X 45
VERTICAL FRAME(S)

(4)
11 X 45
VERTICAL FRAME(S)

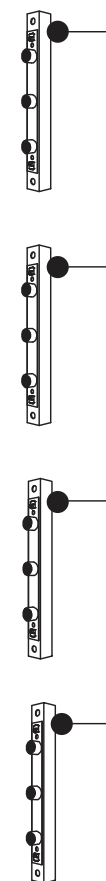
TOP



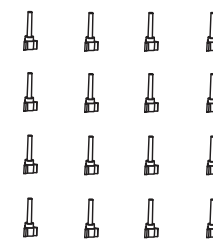
POWER CORD
& TRANSFORMER



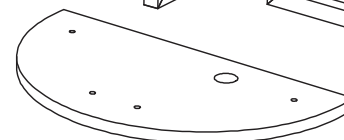
(4)
11" LIGHTBAR(S)



RED THUMBSCREWS



BOTTOM WITH FEET

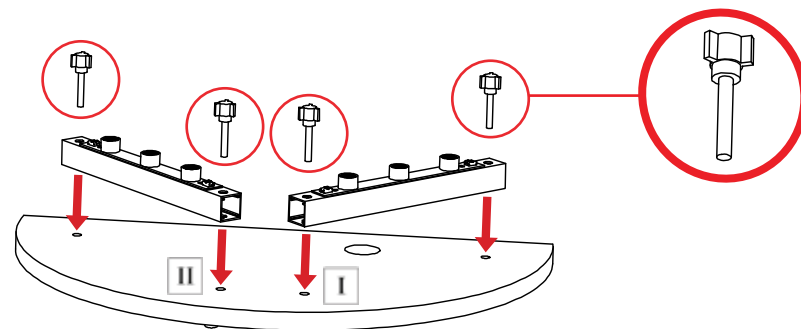


Expo EX PO Displays
A Division of Diamond Displays International

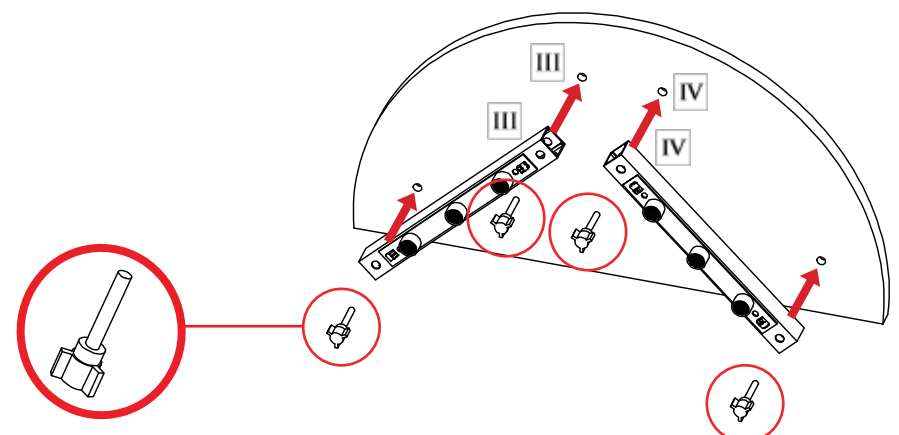
ASSEMBLY INSTRUCTIONS

EXPOLIGHT® ASSEMBLY

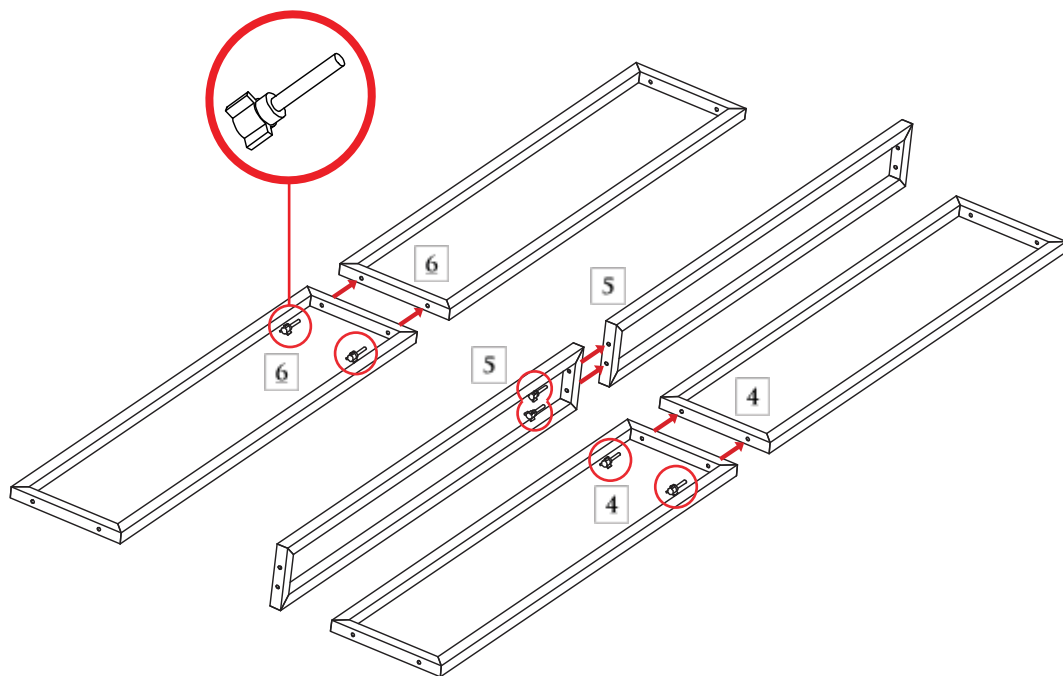
EXPOLIGHT CURVE BUBBLE ASSEMBLY



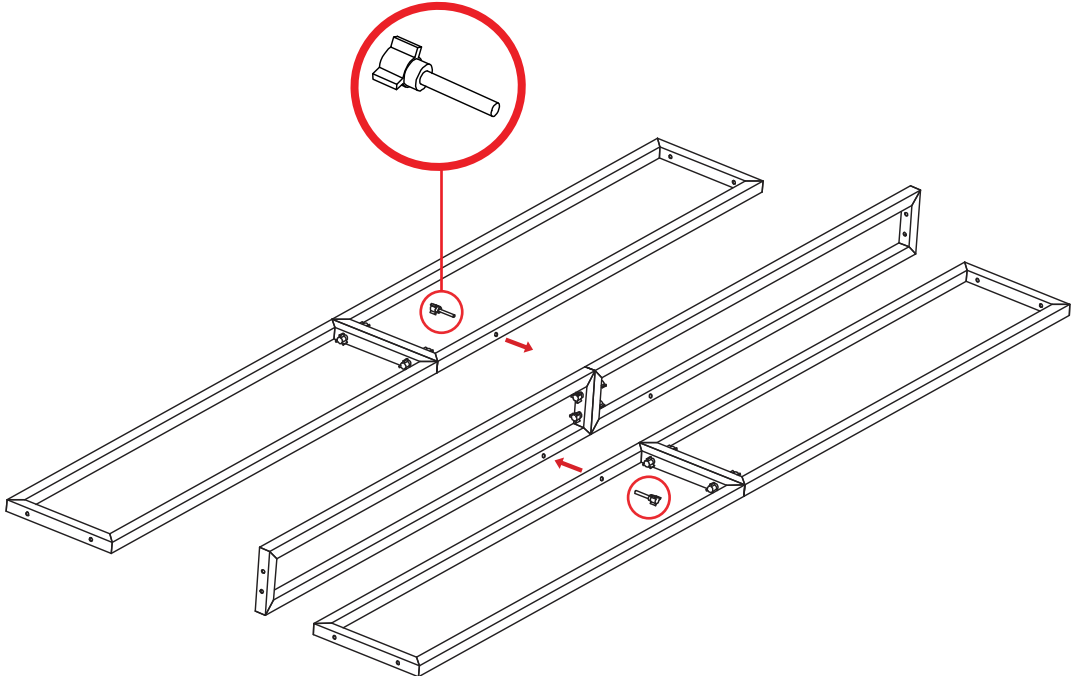
STEP 1
MATCH NUMBERS TO CONNECT
(2) 11" LIGHTBARS
TO **BOTTOM WITH FEET** WITH
(4) **RED THUMBSCREWS** AS SHOWN



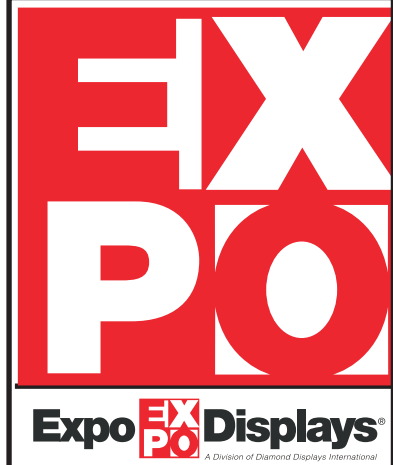
STEP 2
MATCH NUMBERS TO CONNECT
(2) 11" LIGHTBARS TO **TOP**
WITH (4) **RED THUMBSCREWS** AS SHOWN



STEP 3
MATCH NUMBERS TO CONNECT
(2) PAIRS OF 11" X 45" **VERTICAL FRAMES** &
(1) PAIR OF 6" X 45" **VERTICAL FRAMES**
WITH (2) **RED THUMBSCREWS** PER PAIR AS SHOWN



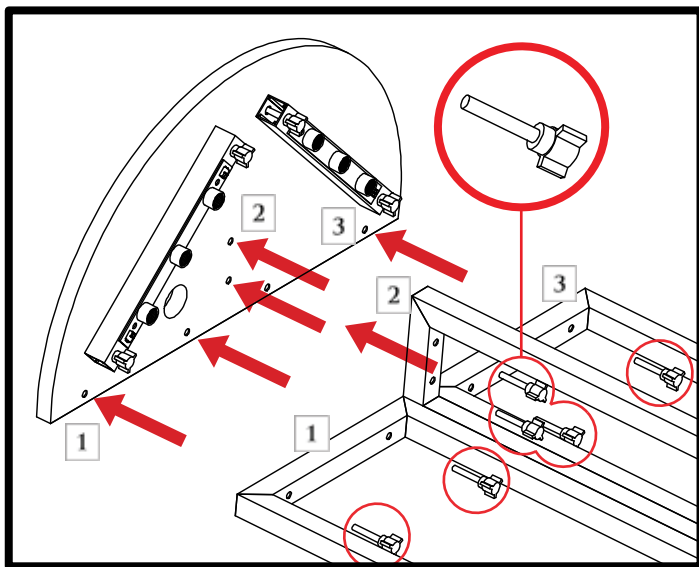
STEP 4
MATCH NUMBERS TO CONNECT
(2) JOINED 11" X 45" **VERTICAL FRAMES**
TO JOINED CENTER 6" X 45" **VERTICAL FRAME**
WITH (2) **RED THUMBSCREWS** ON EACH SIDE AS SHOWN



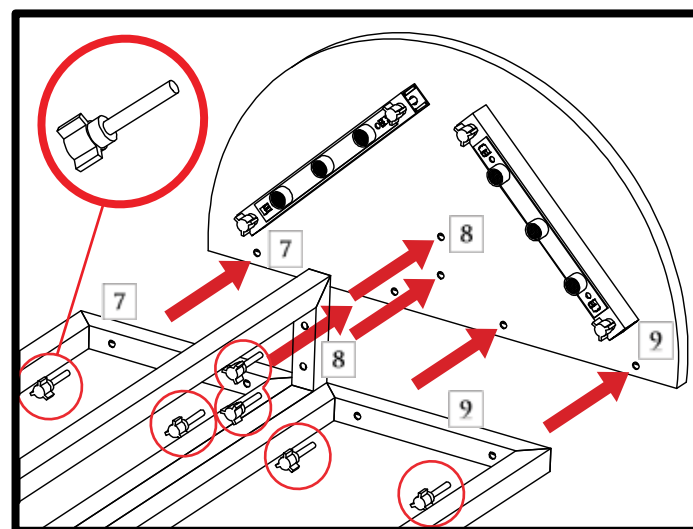
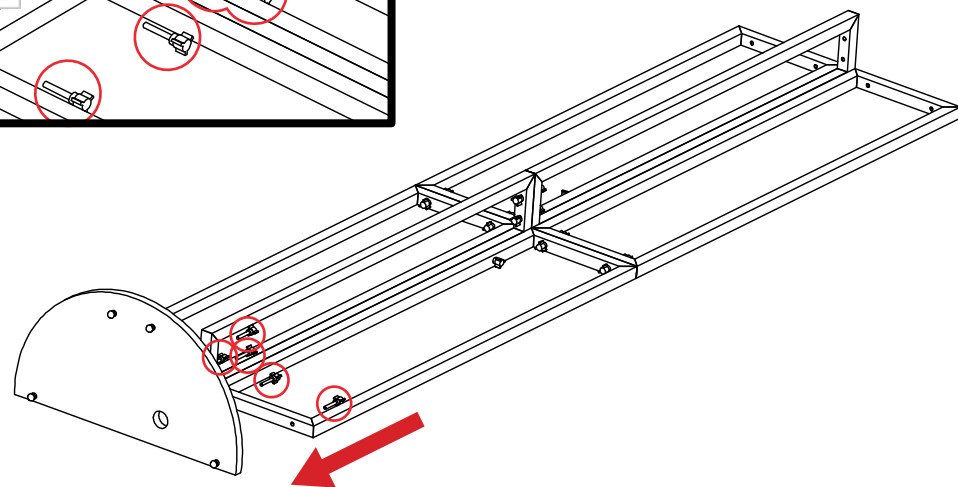
ASSEMBLY INSTRUCTIONS

EXPOLIGHT® ASSEMBLY

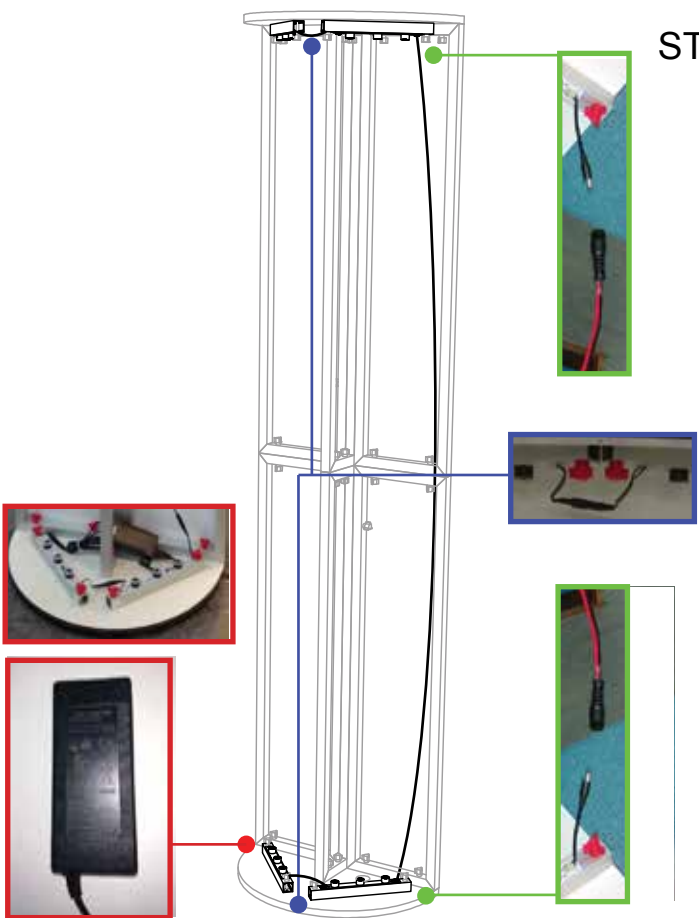
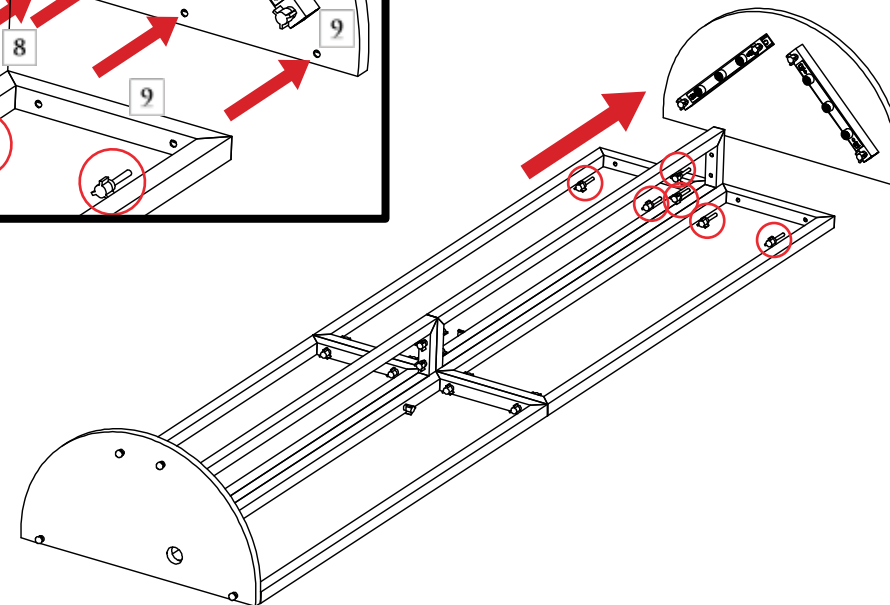
EXPOLIGHT CURVE BUBBLE ASSEMBLY



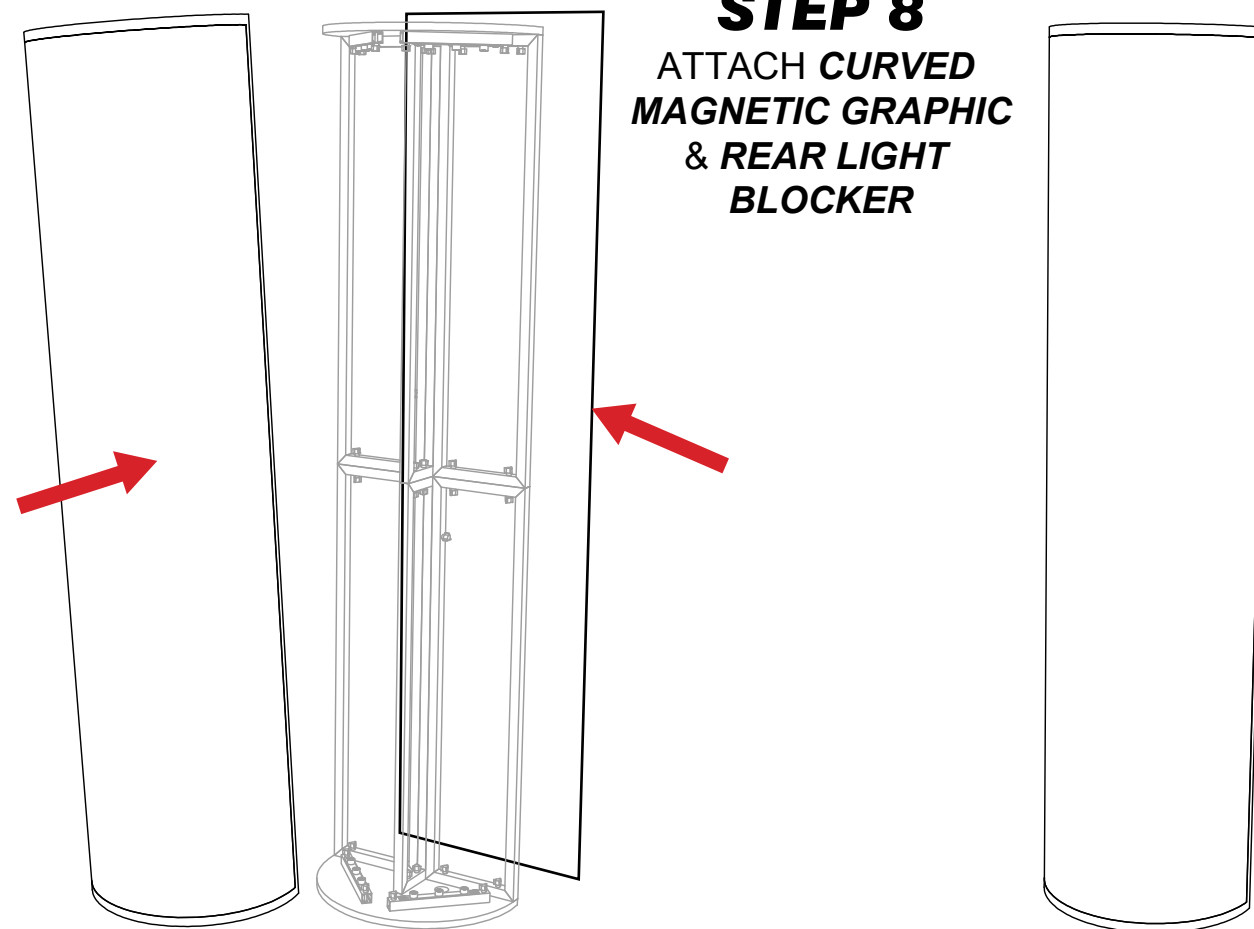
STEP 5
MATCH NUMBERS TO CONNECT
BOTTOM WITH FEET
TO **VERTICAL FRAME STRUCTURE**
WITH (6) **RED THUMBSCREWS**
AS SHOWN



STEP 6
MATCH NUMBERS TO
CONNECT **TOP TO**
VERTICAL FRAME STRUCTURE
WITH (6) **RED THUMBSCREWS**
AS SHOWN



STEP 7
STAND ASSEMBLED FRAME UPRIGHT
THEN CONNECT **LIGHT BARS**
WITH **POWER CORDS** AND
ARRANGE POWER SUPPLY
AS SHOWN



STEP 8
ATTACH **CURVED**
MAGNETIC GRAPHIC
& **REAR LIGHT**
BLOCKER



Expo **EXPO** Displays
A Division of Diamond Displays International

ASSEMBLY INSTRUCTIONS
EXPOLIGHT® ASSEMBLY