

# VOOM ASSEMBLIES



---

## QUICK LINKS

---

EXPODISPLAYS.COM

[VOOM FRAME ASSEMBLY](#)

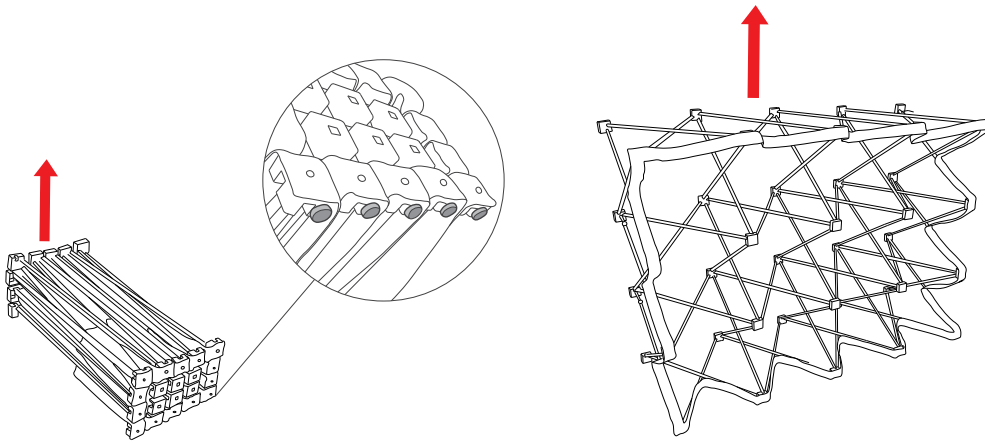
[VOOM ASSEMBLY PHOTOS](#)

[VOOM PODIUM FRAME](#)

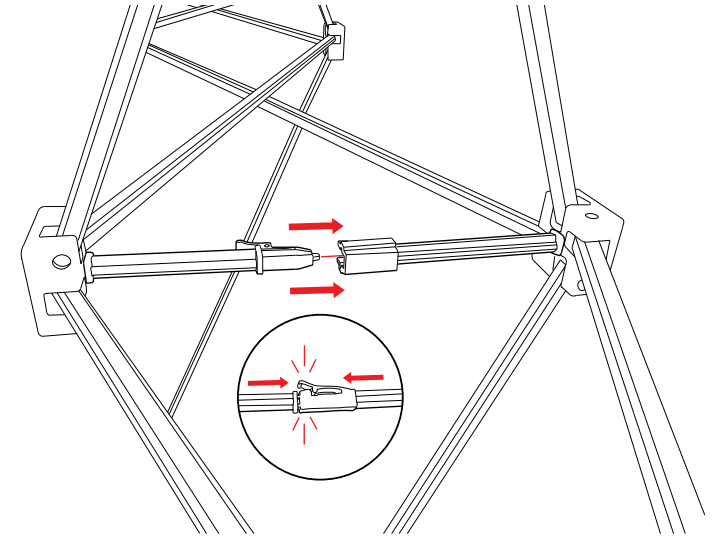
[VOOM LIGHT CONNECTIONS](#)



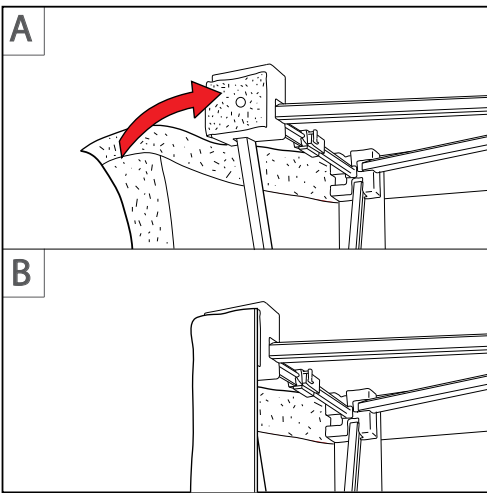
# Voom Frame Assembly



**1** PLACE FRAME ON THE GROUND, INSURING THAT THE ORIENTATION HAS THE CIRCULAR FEET TOUCHING THE FLOOR. GRAB THE FRAME FROM THE CENTER AND LIFT UP TO EXPAND THE FRAME.

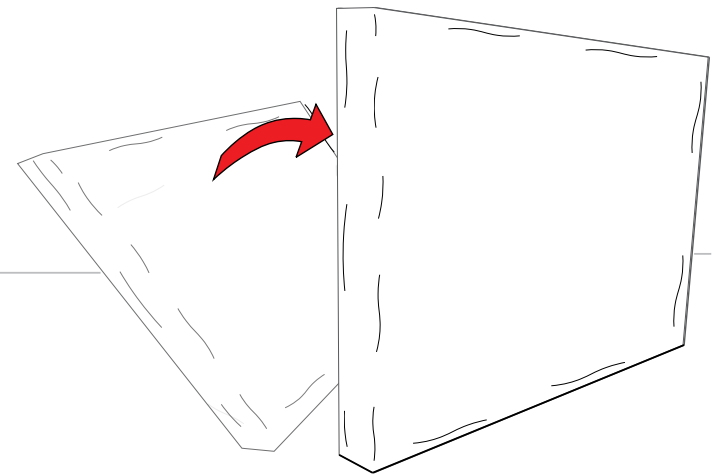


**2** CONNECT ALL SIX OF THE RED CONNECTORS TO INSURE A SECURE AND STABLE CONNECTION.



**NOTE:** LAY THE FRAME FLAT ON THE FLOOR TO ATTACH GRAPHICS.

**3** START AT A CORNER OF THE FRAME AND ATTACH THE GRAPHIC WRAP USING THE VELCRO. CONTINUE WORKING YOUR WAY AROUND THE FRAME WITH THE WRAP, INSURING A TIGHT FIT FROM CORNER TO CORNER.



**4** ONCE GRAPHICS ARE PROPERLY ATTACHED, CAREFULLY LIFT THE VOOM DISPLAY INTO ITS UPRIGHT POSITION.

# Voom Frame Assembly Photos



**1** Fold and find center on bottom of the graphic.



**2** Align center of graphic on center of hub.



**3** Align Velcro to bottom and attach at hub only.



**4** Tension graphic from hub to hub. Starting in center and moving to ends.

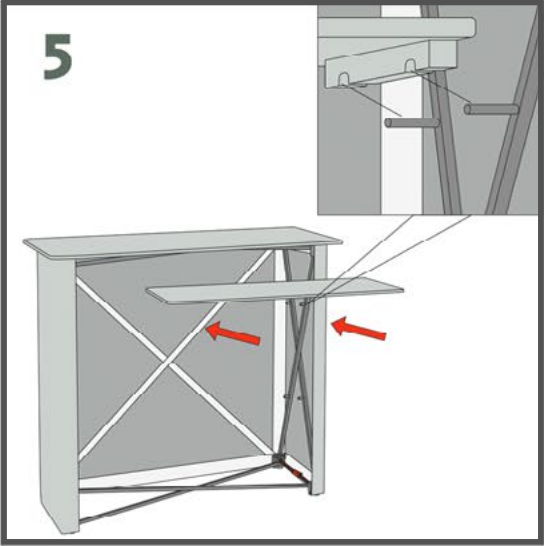
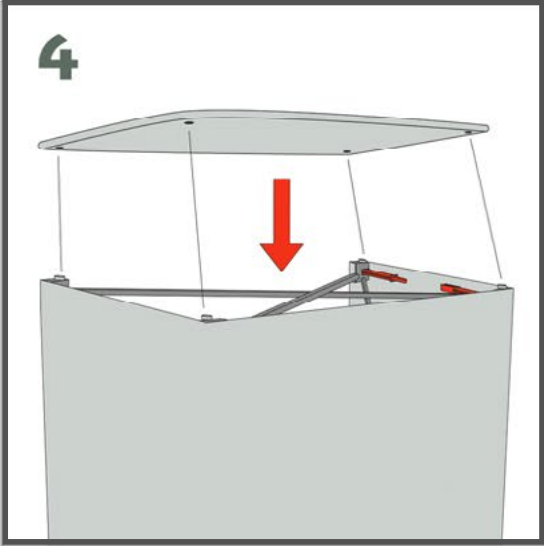
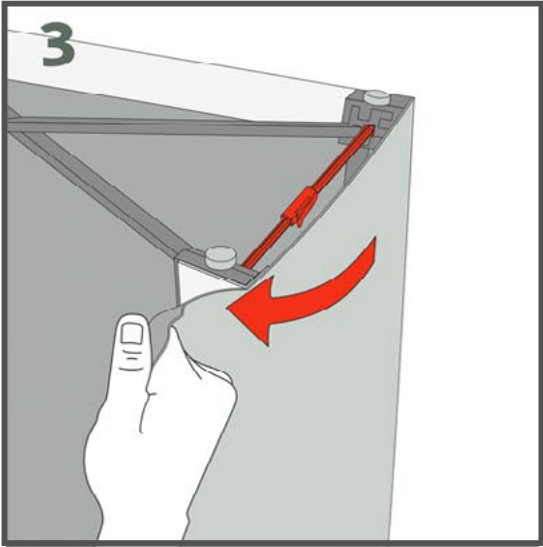
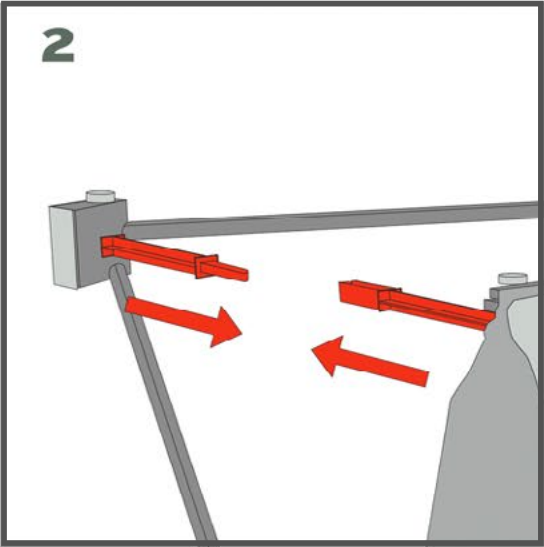
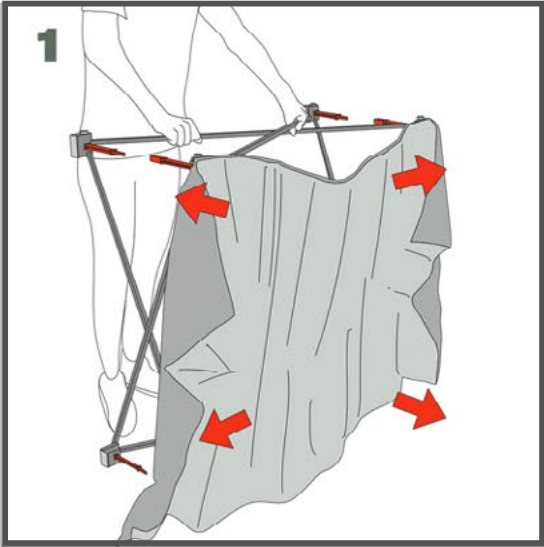


**5** Tension to the end leaving side flap loose.

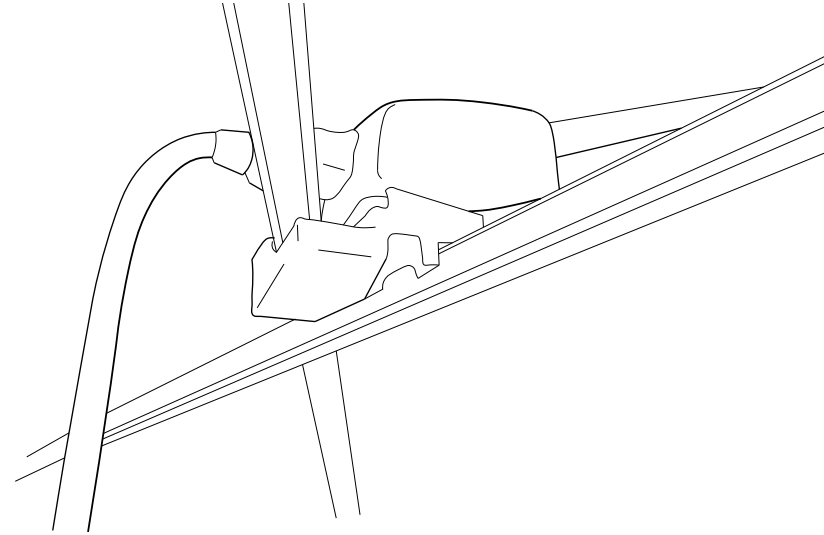
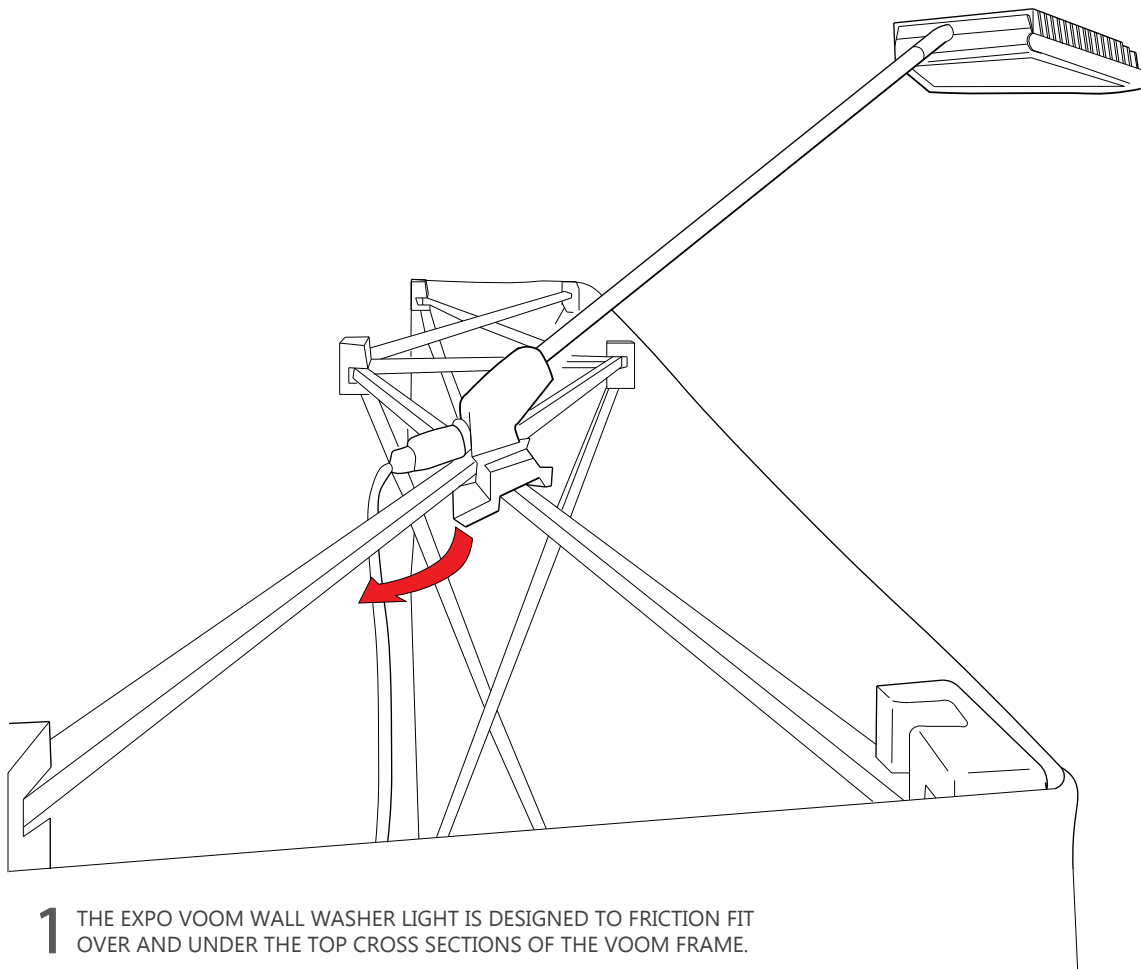
**6** Repeat steps 3-5 to complete the bottom. And repeat full sequence for the top of the graphic.

**7** Stand frame and tension the sides.

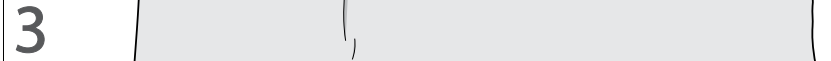
# Voom Podium / Counter Assembly



# Voom Light Connections



**2** PLASTIC TABS LOCK THE LIGHT IN-PLACE TO ENSURE THAT IT IS SECURELY CONNECTED TO THE FRAME.



**3**