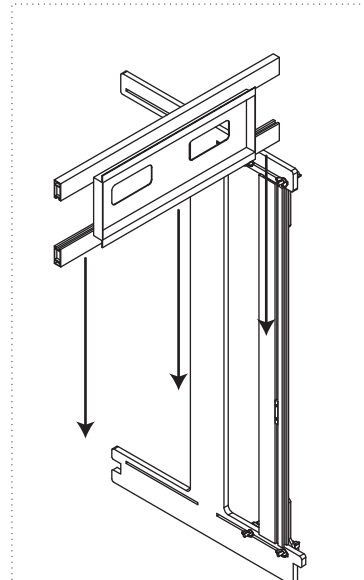
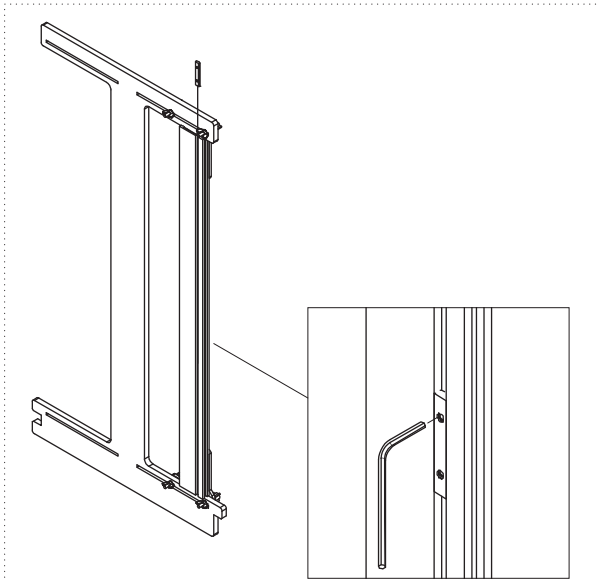


- 1 Slide the stops into the channel of each side of the media mount at the appropriate height for your monitor. Turn the set screws in each stop to tighten in place.
- 2 Slide the bracket assembly down the channel of one of the sides, to where it makes contact with the stop. Tighten in place.
- 3 Slide the other arm onto the bracket assembly until the assembly is in contact with the stop. Tighten in place.



Final Assembly

