

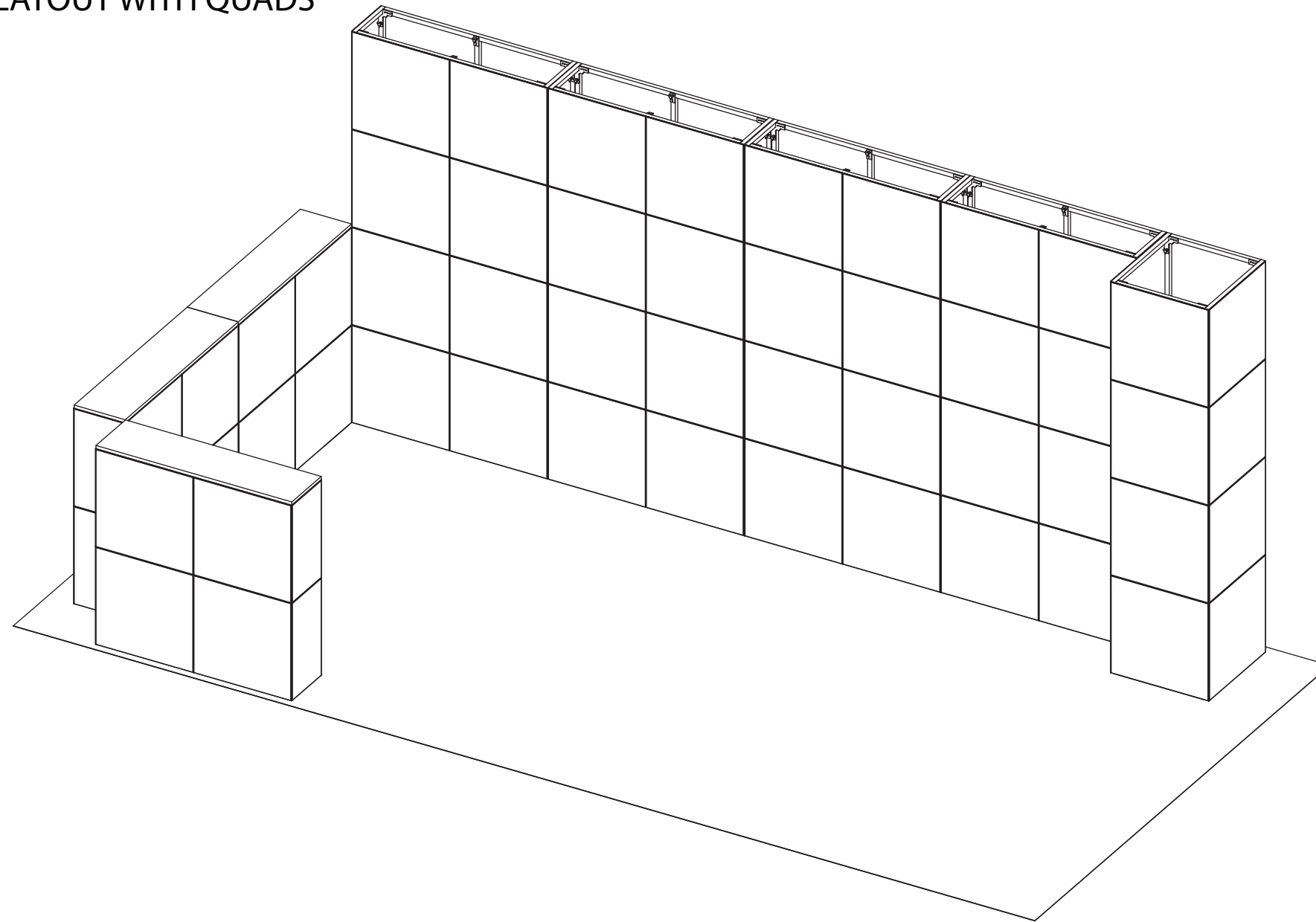
WHEN ASSEMBLING **EX PO MultiQuad**[®]

REMEMBER YOUR **ABC**'s...

ASSEMBLE EACH COMPONENT SEPARATELY

BUILD THE DESIRED LAYOUT

COVER YOUR MULTIQUAD LAYOUT WITH QUADS



EX PO MultiQuad[®]
An **ExpoDisplays** Product

MQ - K2130
10'x20' Custom MultiQuad



Expo EX PO Displays[®]
A Division of Diamond Displays International

3401 Mary Taylor Road
Birmingham, Alabama 35235
(205) 439-8200

Drawn By: SH

Project Title

MultiQuad[®]
An ExpoDisplays Product

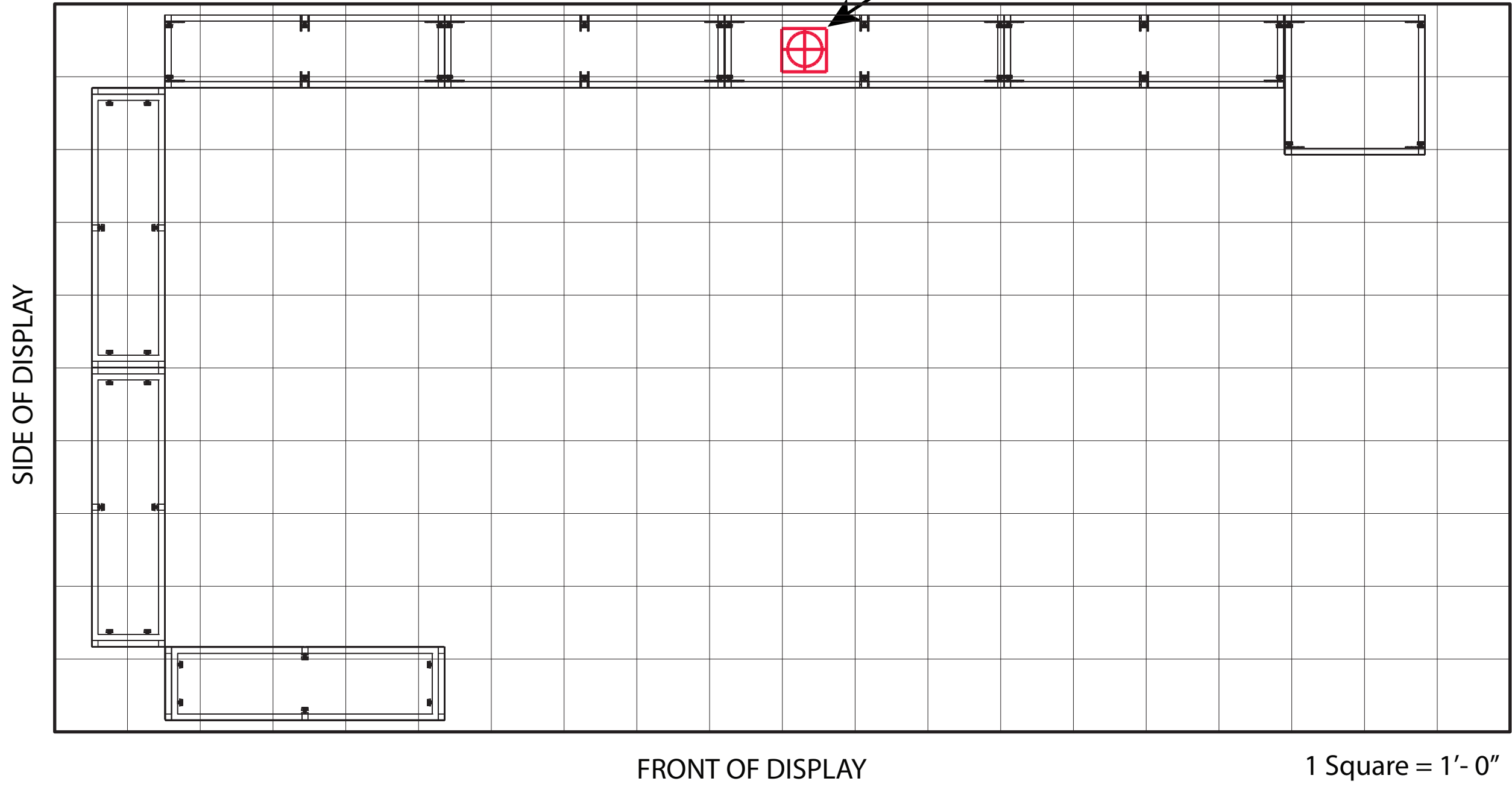
MQ-K2130

Sheet Title

**ASSEMBLY
INSTRUCTIONS
COVER SHEET**

BACK OF DISPLAY

ELECTRICAL DROP
500 Watts



Expo EX PO Displays
A Division of Diamond Displays International

3401 Mary Taylor Road
Birmingham, Alabama 35235
(205) 439-8200

Drawn By: SH

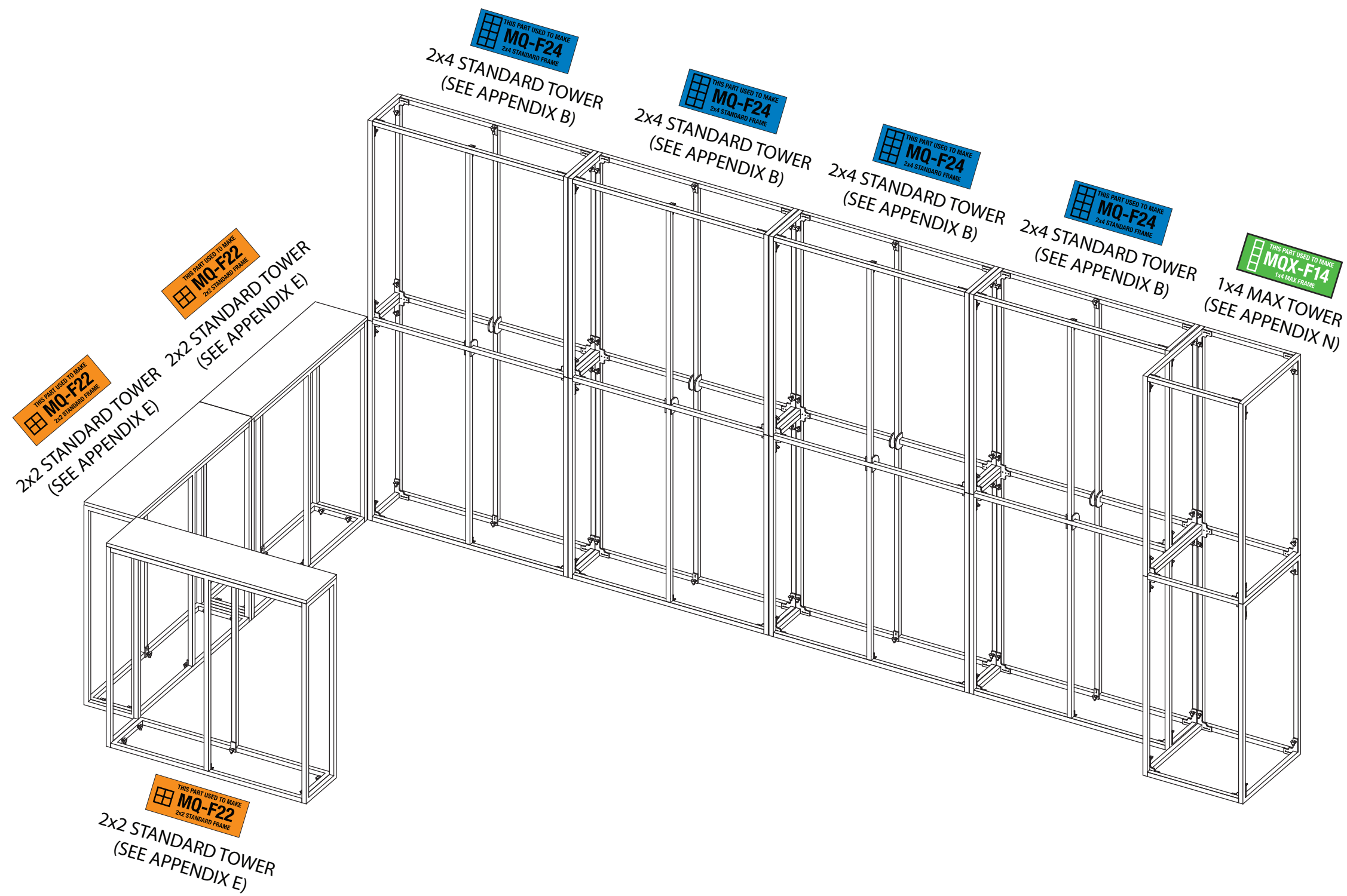
Project Title

MultiQuad
An ExpoDisplays Product

MQ-K2130

Sheet Title

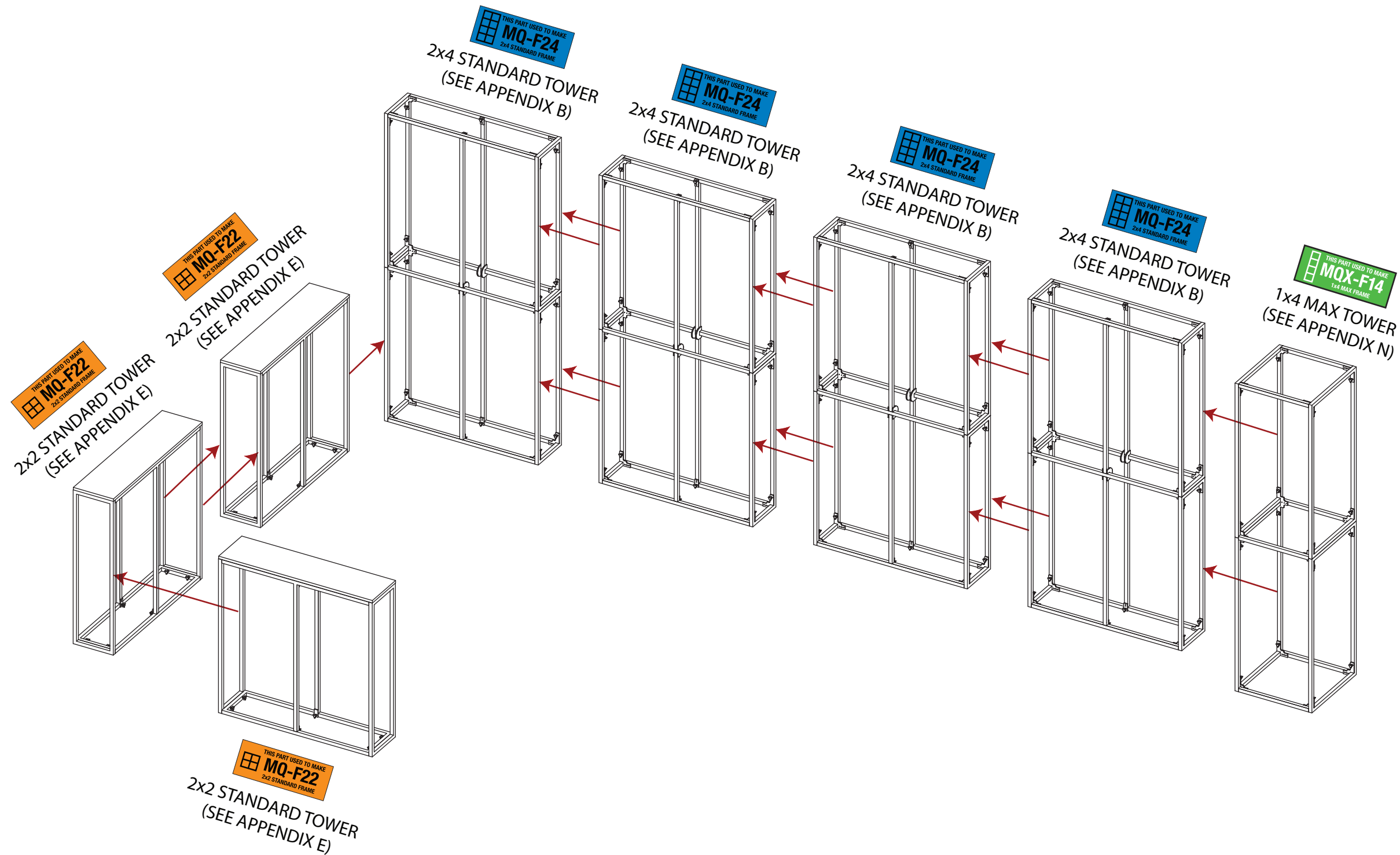
**ASSEMBLY
INSTRUCTIONS
ELECTRICAL PLAN**



PARTS LIST:

#	LABEL	NAME
3	MQ-F22 2x2 STANDARD FRAME	2x2 STANDARD TOWER
1	MQX-F14 1x4 MAX FRAME	1x4 MAX TOWER
4	MQ-F24 2x4 STANDARD FRAME	2x4 STANDARD TOWER

1. PLACE THE FAR LEFT TOWER INTO THE DESIRED LOCATION USING PAGE 2
2. SLIDE ADJACENT TOWER INTO PLACE AND ATTACH USING THE PROVIDED CONNECTOR (SEE APPENDIX A)
3. REPEAT STEP 2 UNTIL ALL THE FRAMES ARE JOINED TOGETHER
4. INSTALL ALL REMAINING ACCESSORIES



Expo EX PO Displays
A Division of Diamond Displays International

3401 Mary Taylor Road
Birmingham, Alabama 35235
(205) 439-8200

Drawn By: SH

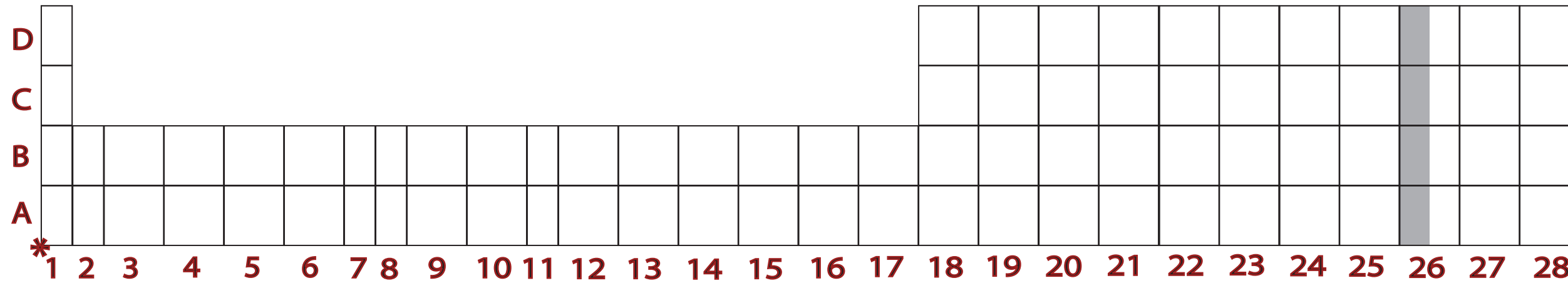
Project Title

MultiQuad
An ExpoDisplaysProduct

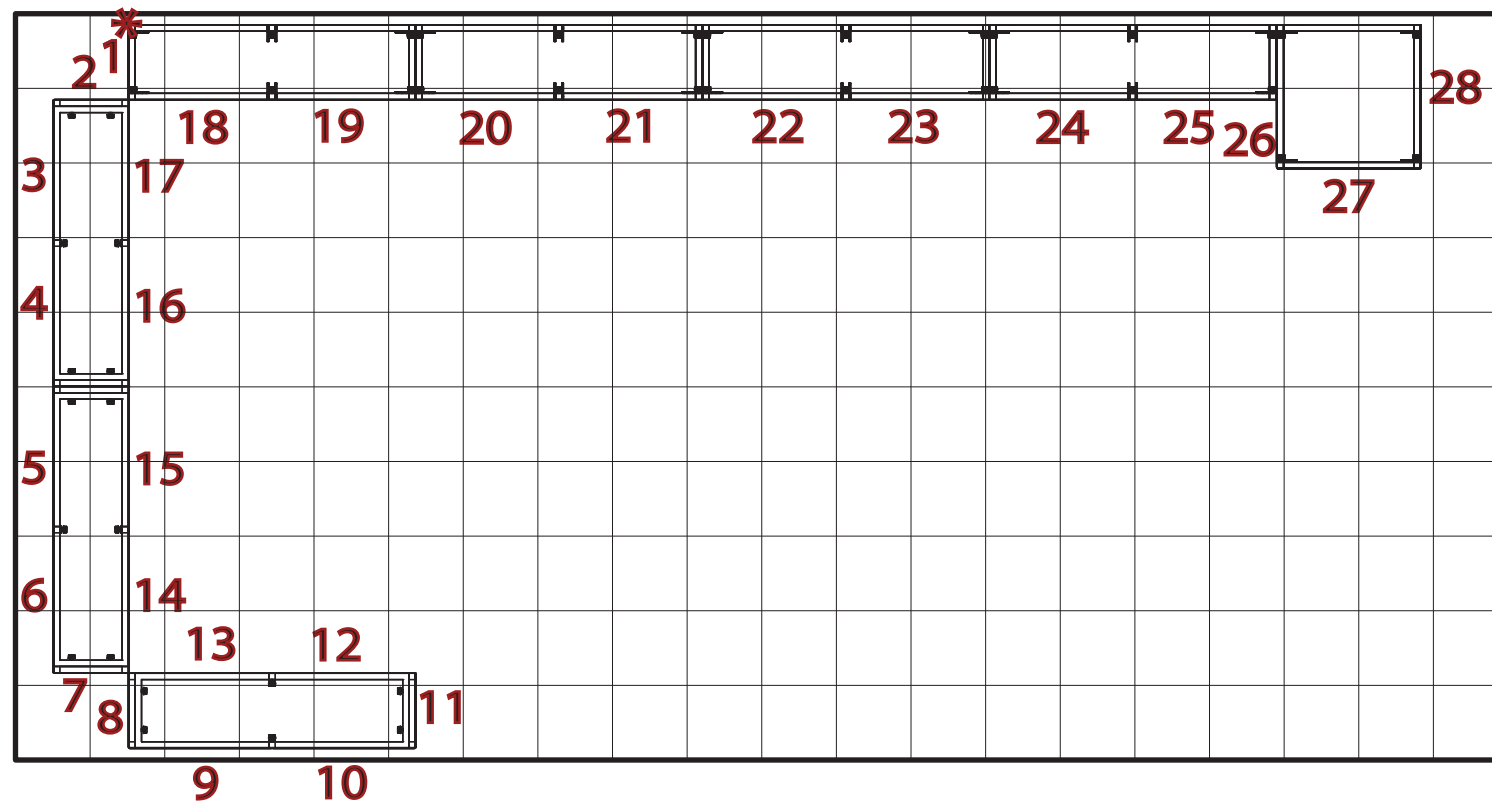
MQ-K2130

Sheet Title

**ASSEMBLY
INSTRUCTIONS
EXPLODED LAYOUT**

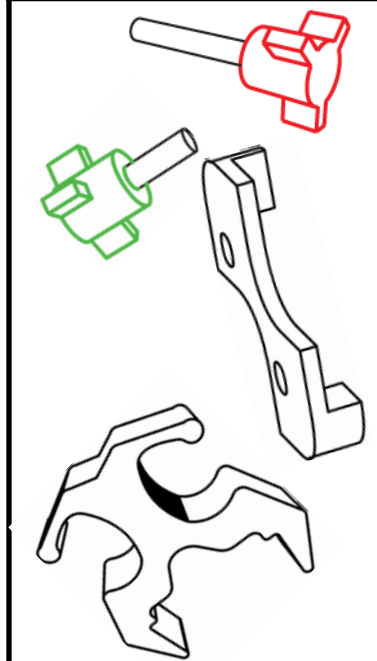


MAIN WALL FLATTEN ELEVATION

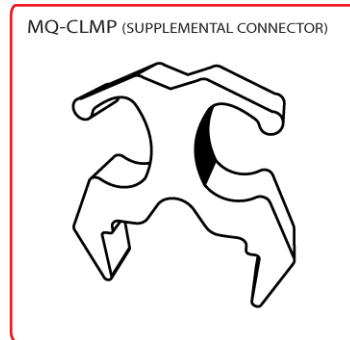


PARTS LIST:

#	SIZE	NAME
68	23x23	STANDARD QUAD
12	12x23	SIDE QUAD

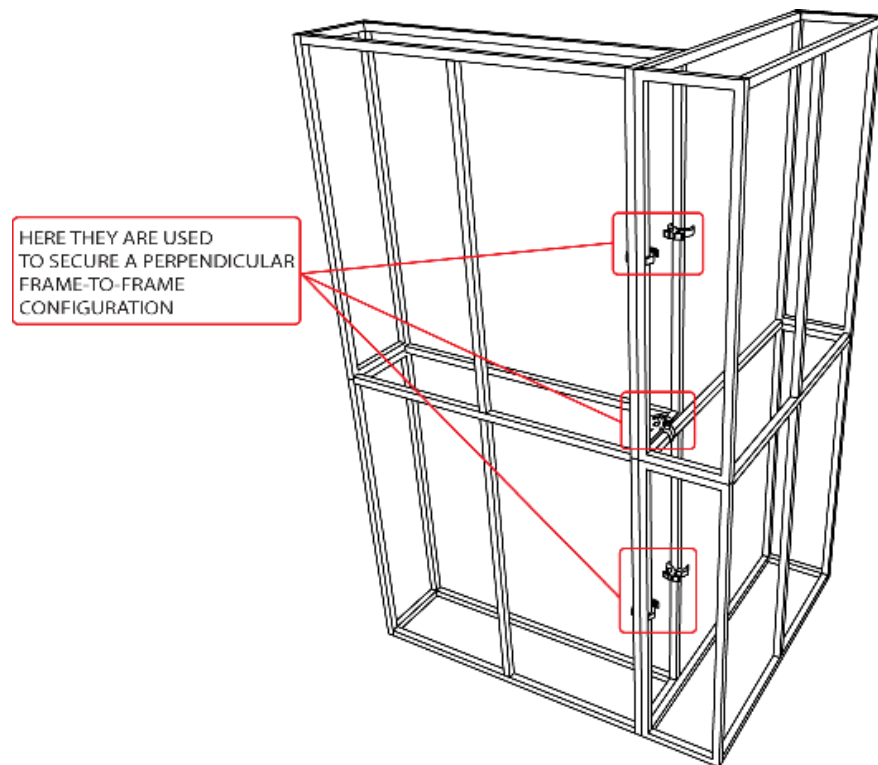


MQ-CLMP SUPPLEMENTAL CONNECTOR INSTRUCTIONS
(NOT REQUIRED IN EVERY CONFIGURATION)

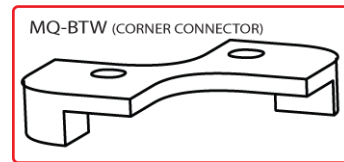


THE MQ-CLMP IS A FRICTION-FIT (SLIDES ON) CONNECTOR/ ALIGNMENT TOOL FOR USE IN ABNORMAL MULTIQUAD FRAME CONFIGURATIONS, OR AS ADDITIONAL FRAME SECURITY IN SPECIAL SITUATIONS.

THE MQ-CLMP SIMPLY SLIDES OVER THE MULTIQUAD FRAME WHERE NEEDED

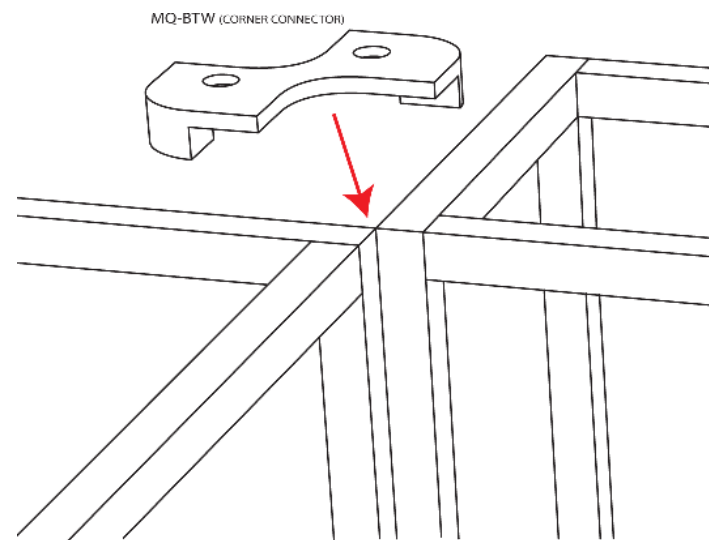


MQ-BTW CORNER ALIGNMENT TOOL INSTRUCTIONS
(NOT REQUIRED IN EVERY CONFIGURATION)

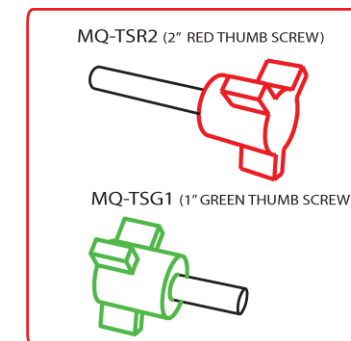


THE MQ-BTW CORNER ALIGNMENT TOOL IS DESIGNED TO AID IN THE ALIGNMENT OF FRAMES AS NEEDED IN SOME MULTIQUAD CONFIGURATIONS.

AFTER TWO MULTIQUAD FRAMES ARE SET "CORNER-TO-CORNER" THE MQ-BTW SIMPLY SLIDES OVER THE CORNER AND SETTLES INTO PLACE. THIS, ALONG WITH THE ADJUSTMENT OF THE LEVELING FEET, WILL HELP WITH THE ALIGNMENT OF THE FRAMES

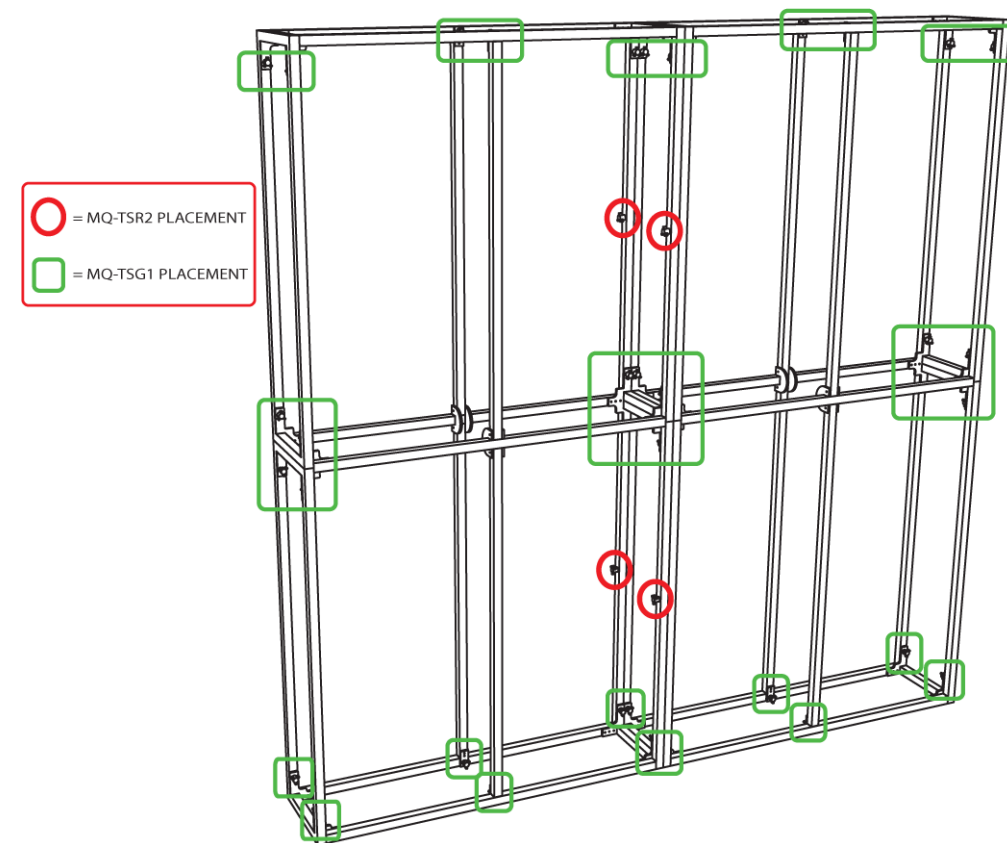


MQ-TSR2 / MQ-TSG1 THUMB SCREW INSTRUCTION



THE MQ-TSR2 IS A 2" RED THUMB SCREW. IT IS USED TO CONNECT MULTIQUAD FRAMES INTO AN INLINE CONFIGURATION. MULTIQUAD FRAMES HAVE A LEFT AND A RIGHT SIDE AFTER CONSTRUCTION. THESE SCREWS PASS THROUGH ONE FRAME AN SCREW INTO ANOTHER ADJACENT FRAME.

THE MQ-TSG1 IS A 1" GREEN SCREW. THEY ARE USED TO ASSEMBLE MOST MULTIQUAD FRAMES

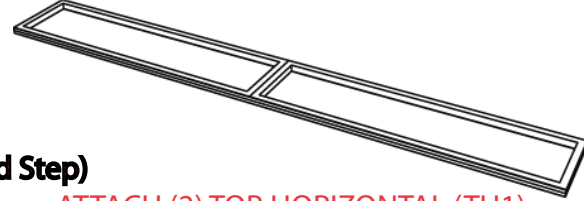


PARTS LIST:

#	LABEL	NAME
1	LVH1	LEFT VERTICAL HINGED
1	RVH1	RIGHT VERTICAL HINGED
2	BH1	BOTTOM HORIZONTAL
2	MH1	MIDDLE HORIZONTAL
2	TH1	TOP HORIZONTAL
2	CVH1	CENTER VERTICAL HINGED
20	GRN	1" THUMB SCREWS
4	RED	2" THUMB SCREWS

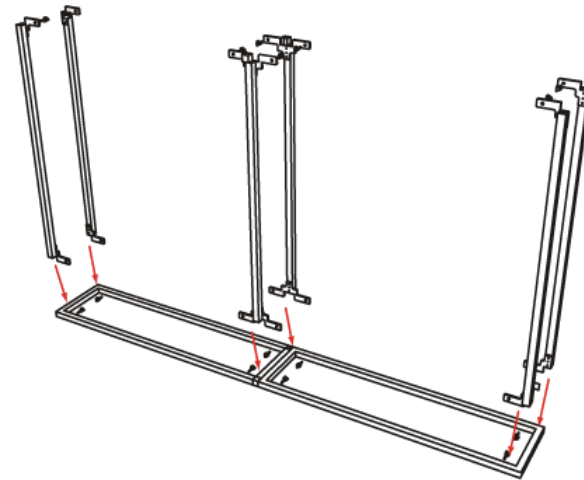
1st Step)

START WITH THE LEFT VERTICAL HINGE (LVH1) ON THE GROUND



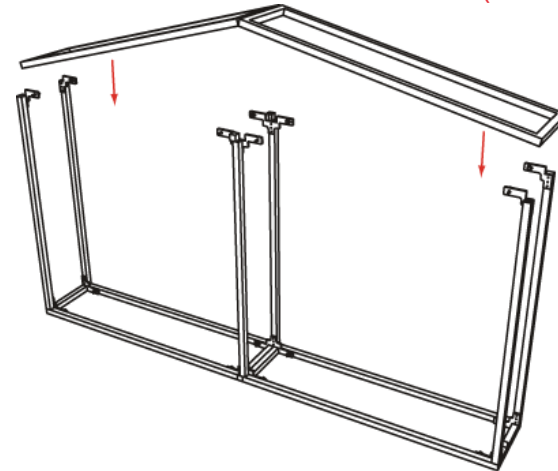
2nd Step)

ATTACH (2) TOP HORIZONTAL (TH1), (2) MIDDLE HORIZONTAL (MH1), (2) BOTTOM HORIZONTAL (BH1)



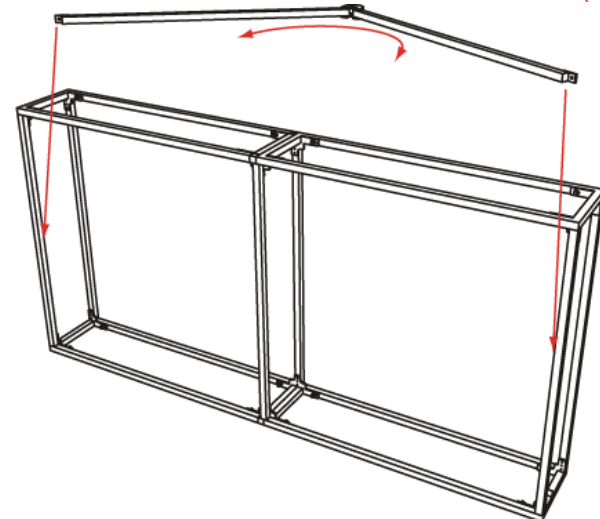
3rd Step)

ATTACH THE RIGHT HINGED SIDE (RVH1)

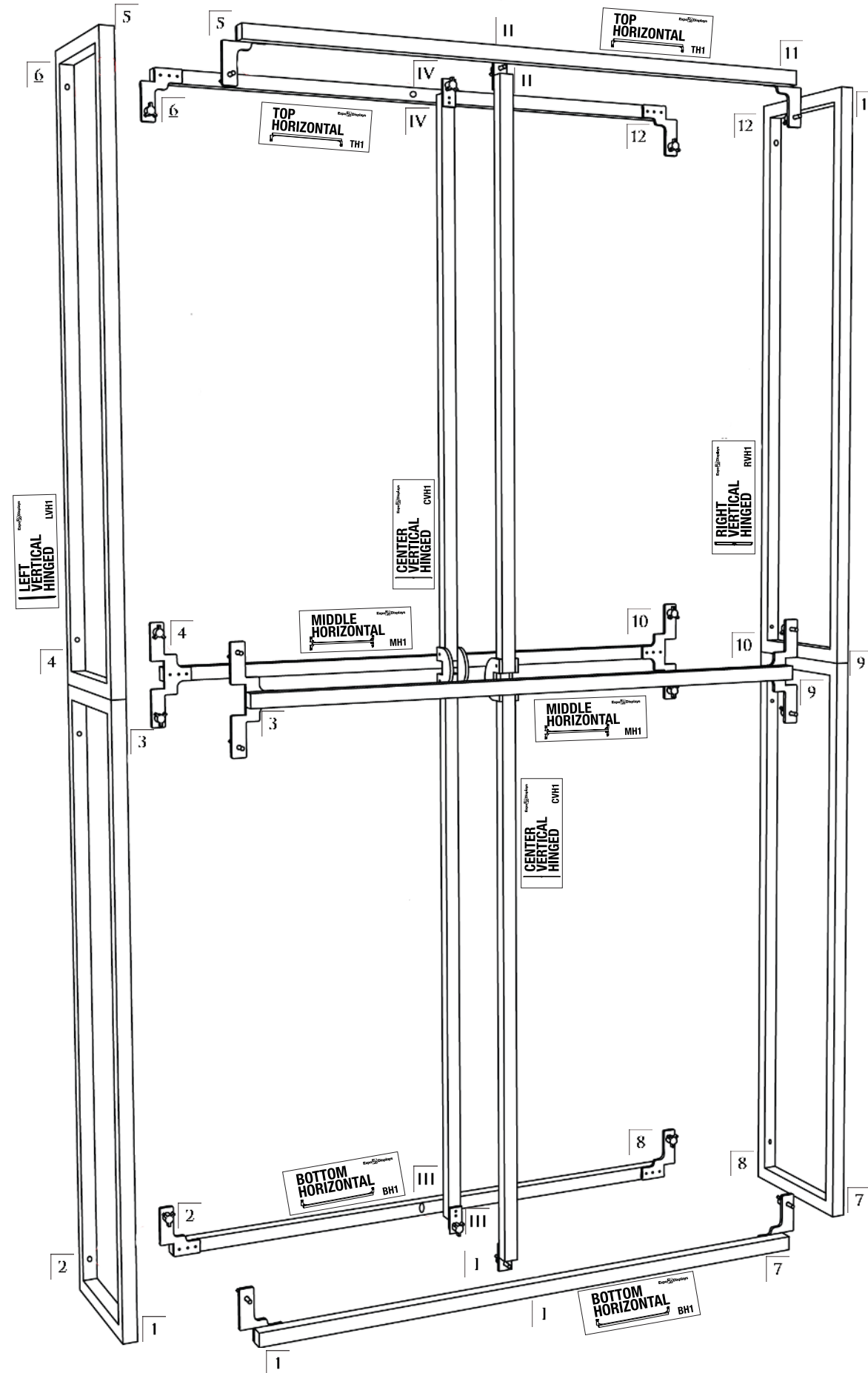


4th Step)

ATTACH THE CENTER VERTICAL HINGED (CVH1)



*MATCH NUMBERS TO CONSTRUCT.

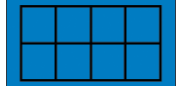


Expo EX PO Displays
A Division of Diamond Displays International

3401 Mary Taylor Road
Birmingham, Alabama 35235
(205) 439-8200

Drawn By: AKHIII

THIS PART USED TO MAKE
MQ-F24
2x4 STANDARD FRAME



Sheet Title

ASSEMBLY INSTRUCTIONS
2x4 STANDARD FRAME
MQ-F24

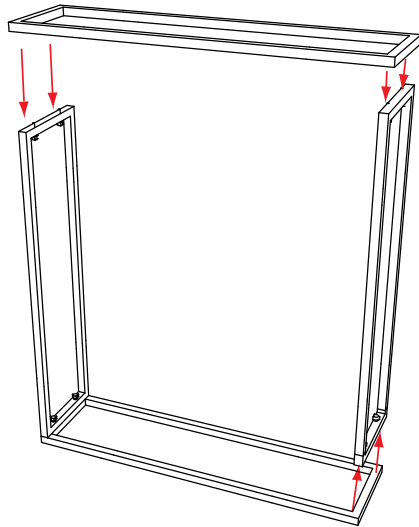
APPENDIX B

PARTS LIST:

#	LABEL	NAME
1	LVR1	LEFT VERTICAL RECTANGLE
1	RVR1	RIGHT VERTICAL RECTANGLE
1	BHR1	BOTTOM HORIZONTAL RECT.
2	CVH2	CENTER VERTICAL HALF
1	THR2	TOP HORIZONTAL RECTANGLE
4	GRN	1" THUMB SCREWS
8	RED	2" THUMB SCREWS
1	CT1246	COUNTER TOP FOR MQ-F22C

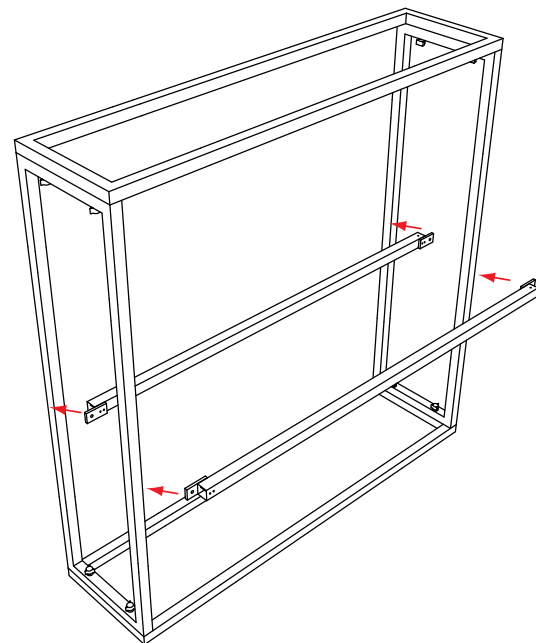
1st Step)

START WITH THE (LVR1) ON THE GROUND. ATTACH THE (THR1), (BHR1), AND (RVR1)



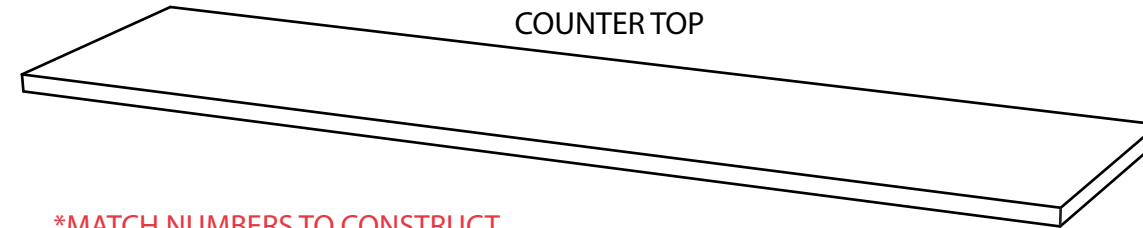
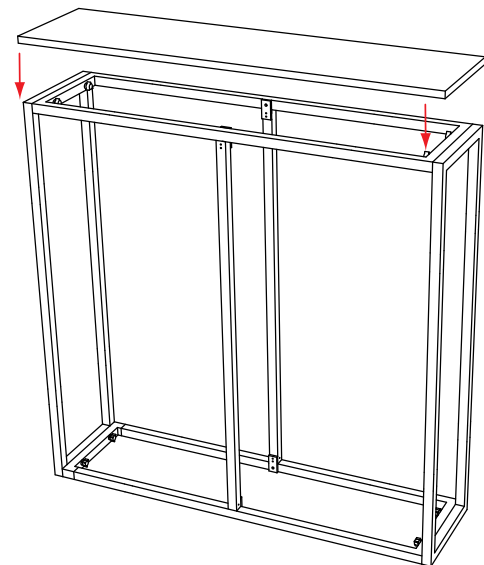
2nd Step)

ATTACH THE (2) CENTER VERTICLE (CVH2)

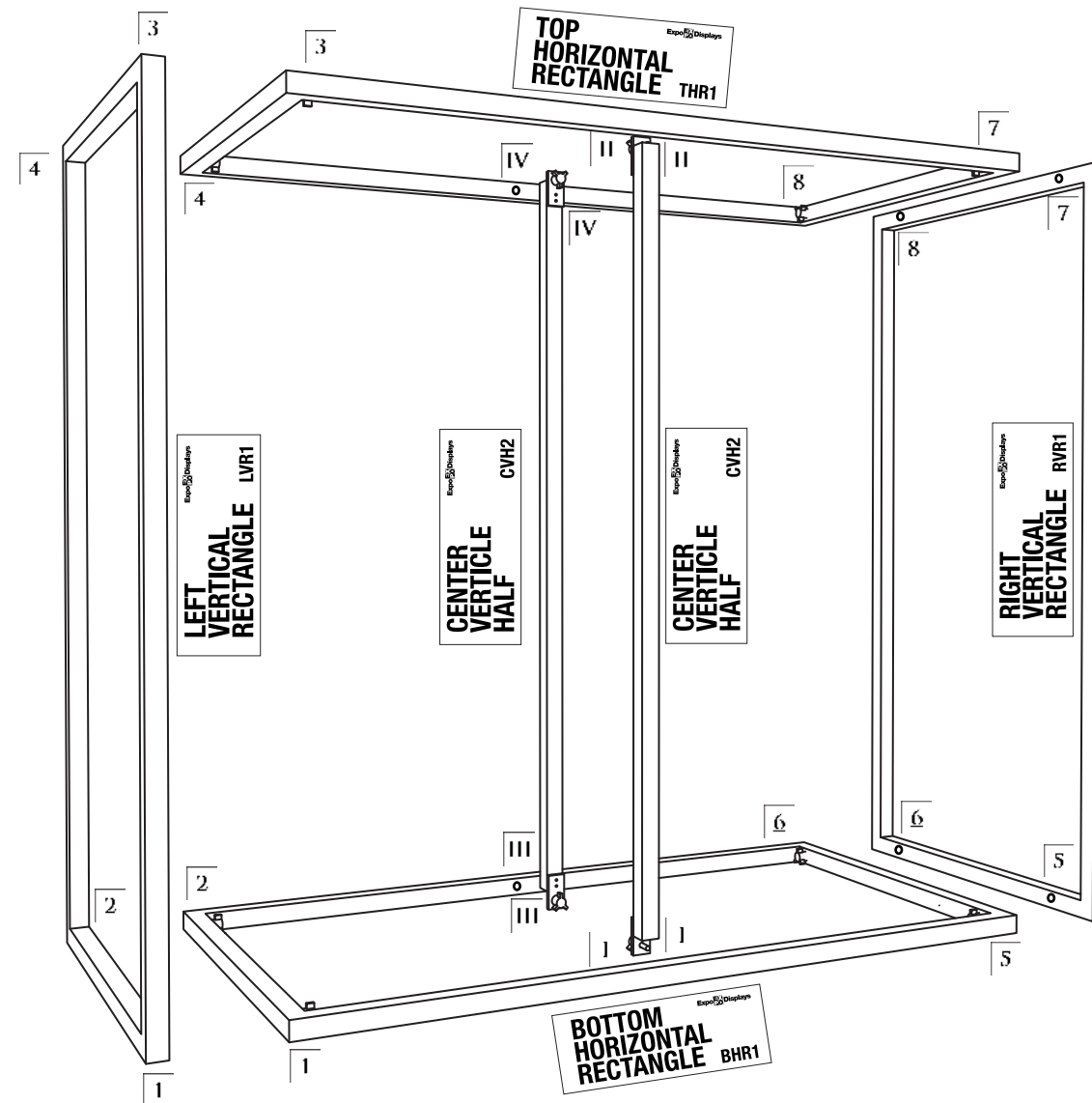


3rd Step)

STAND UPRIGHT AND PLACE COUNTER ON TOP



*MATCH NUMBERS TO CONSTRUCT.



Expo EX PO Displays
A Division of Diamond Displays International

3401 Mary Taylor Road
Birmingham, Alabama 35235
(205) 439-8200

Drawn By: AKHIII

THIS PART USED TO MAKE
MQ-F22C
2x2 STANDARD COUNTER

Sheet Title

**ASSEMBLY
INSTRUCTIONS
2x2 STANDARD
COUNTER
MQ-F22C**

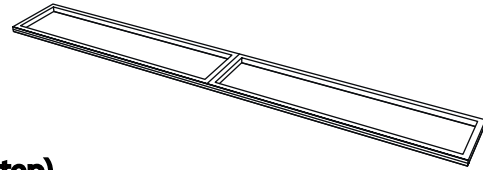
APPENDIX E

PARTS LIST:

#	LABEL	NAME
1	LVHX	LEFT VERTICAL HINGED
1	RVHX	RIGHT VERTICAL HINGED
2	BH2	BOTTOM HORIZONTAL
2	MH2	MIDDLE HORIZONTAL
2	TH2	TOP HORIZONTAL
16	GRN	1" THUMB SCREWS
4	RED	2" THUMB SCREWS

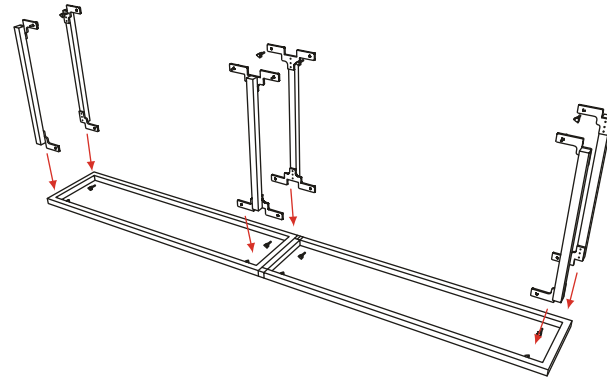
1st Step)

START WITH THE LEFT VERTICAL HINGE (LVHX) ON THE GROUND



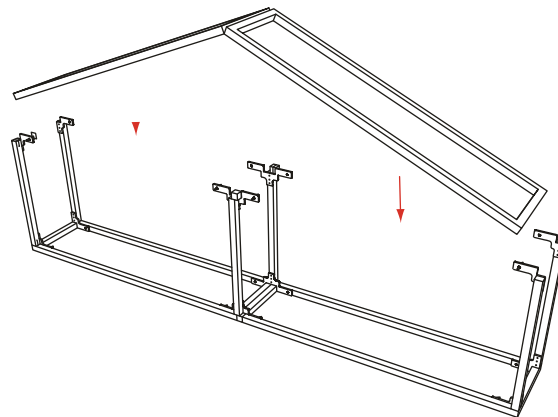
2nd Step)

ATTACH (2) TOP HORIZONTAL (TH2), (2) MIDDLE HORIZONTAL (MH2), (2) BOTTOM HORIZONTAL (BH2)



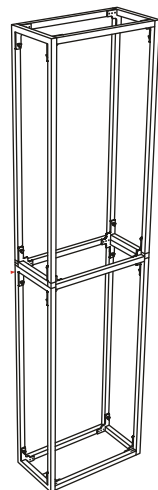
3rd Step)

ATTACH THE RIGHT HINGED SIDE (RVHX)

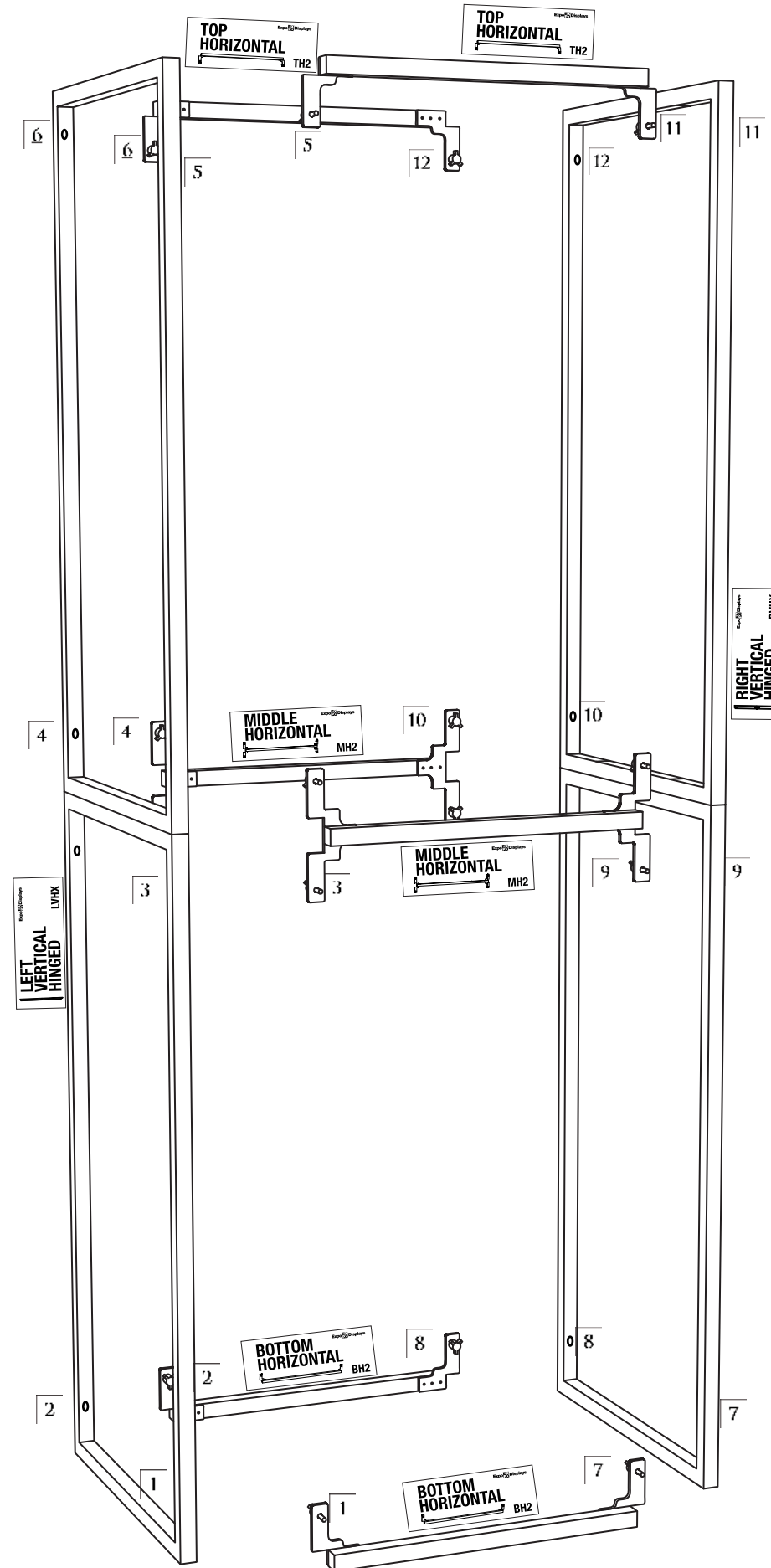


4th Step)

ROTATE TO STAND UPRIGHT



*MATCH NUMBERS TO CONSTRUCT.



Expo EX PO Displays
A Division of Diamond Displays International

3401 Mary Taylor Road
Birmingham, Alabama 35235
(205) 439-8200

Drawn By: AKHIII

THIS PART USED TO MAKE
MQX-F14
1x4 MAX FRAME

Sheet Title

ASSEMBLY INSTRUCTIONS
1x4 MAX FRAME
MQX-F14

APPENDIX N