

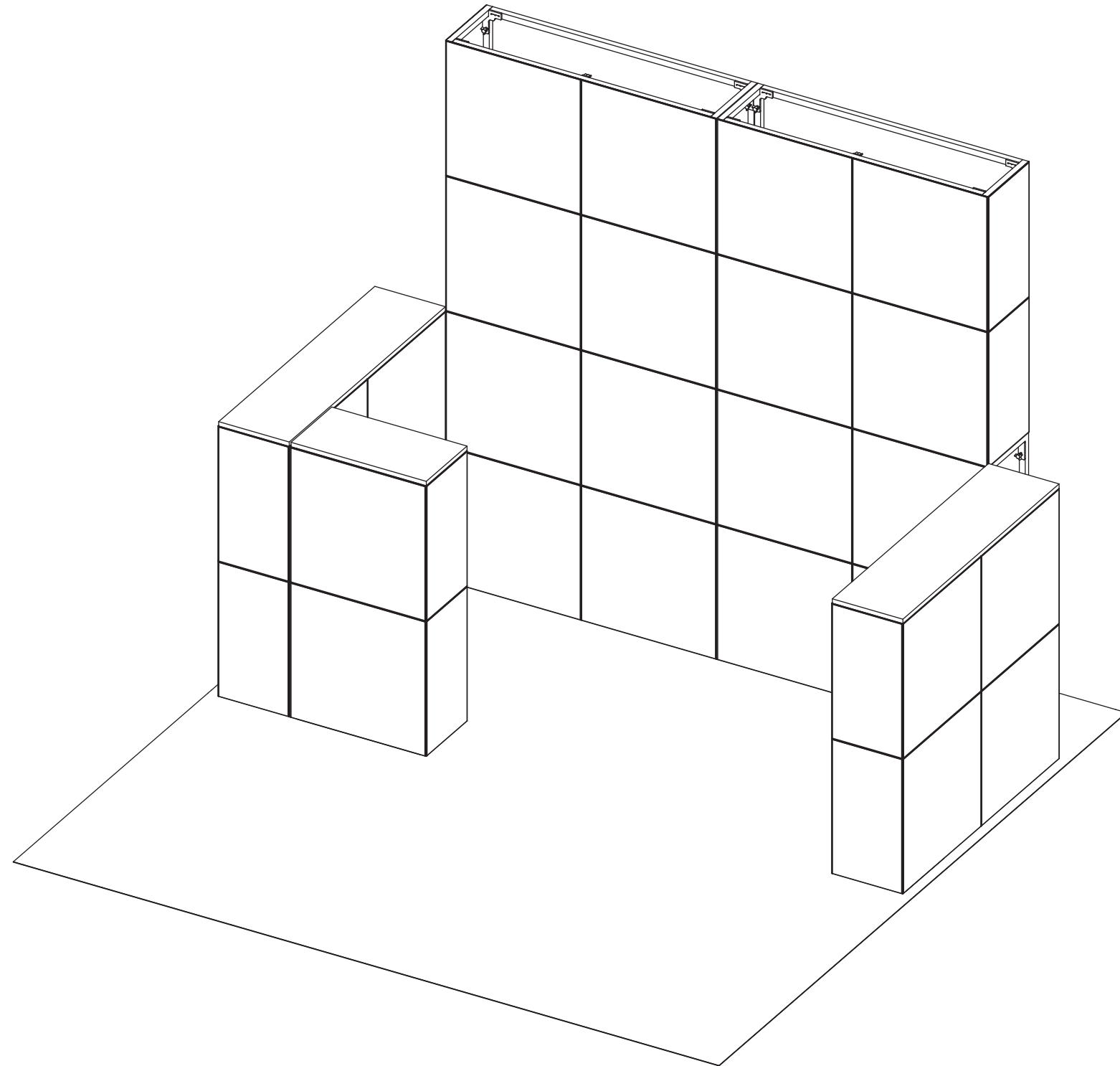
WHEN ASSEMBLING **EX PO MultiQuad**[®]

REMEMBER YOUR **ABC**'s...

ASSEMBLE EACH COMPONENT SEPARATELY

BUILD THE DESIRED LAYOUT

COVER YOUR MULTIQUAD LAYOUT WITH QUADS



EX PO MultiQuad[®]
An **ExpoDisplays** Product

MQ - K1310
10'x10' Custom MultiQuad



Expo EX PO Displays[®]
A Division of Diamond Displays International

3401 Mary Taylor Road
Birmingham, Alabama 35235
(205) 439-8200

Drawn By: SH

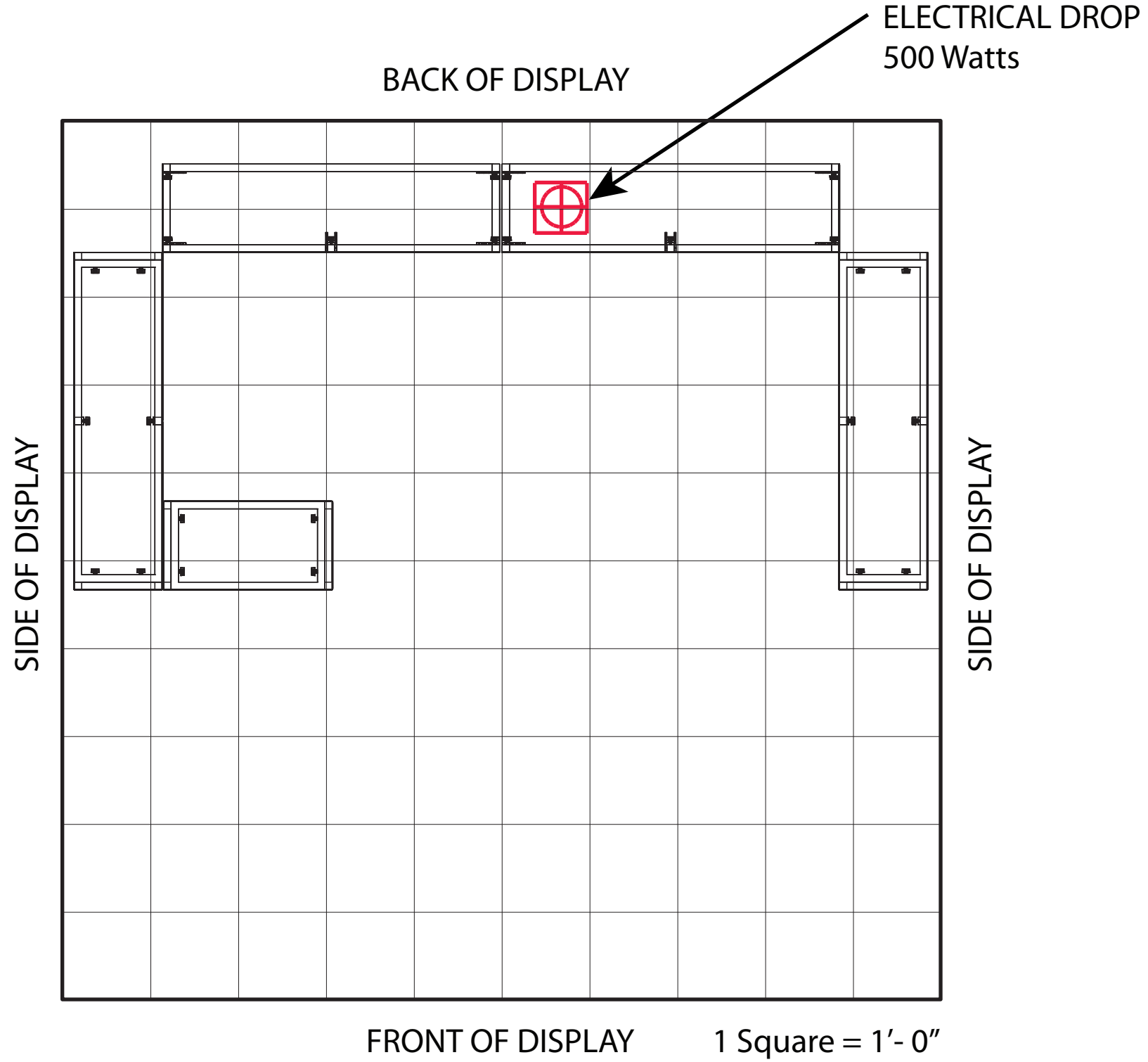
Project Title

MultiQuad[®]
An ExpoDisplays Product

MQ - K1310

Sheet Title

**ASSEMBLY
INSTRUCTIONS
COVER SHEET**



MAIN ELECTRICAL DROP



Expo EX PO Displays
A Division of Diamond Displays International

3401 Mary Taylor Road
Birmingham, Alabama 35235
(205) 439-8200

Drawn By: SH

Project Title

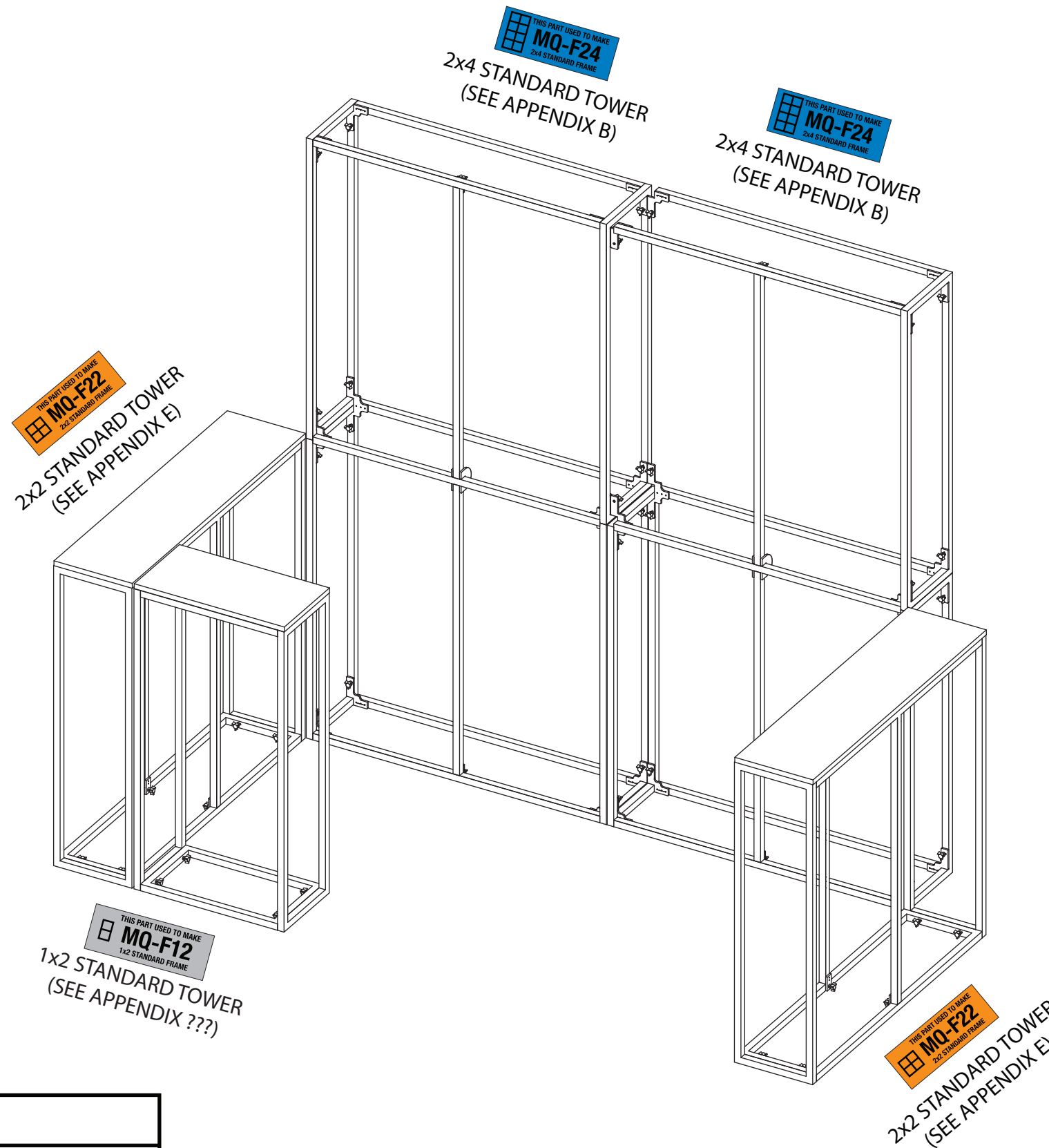
MultiQuad
An ExpoDisplays Product

MQ - K1310

Sheet Title

**ASSEMBLY
INSTRUCTIONS**

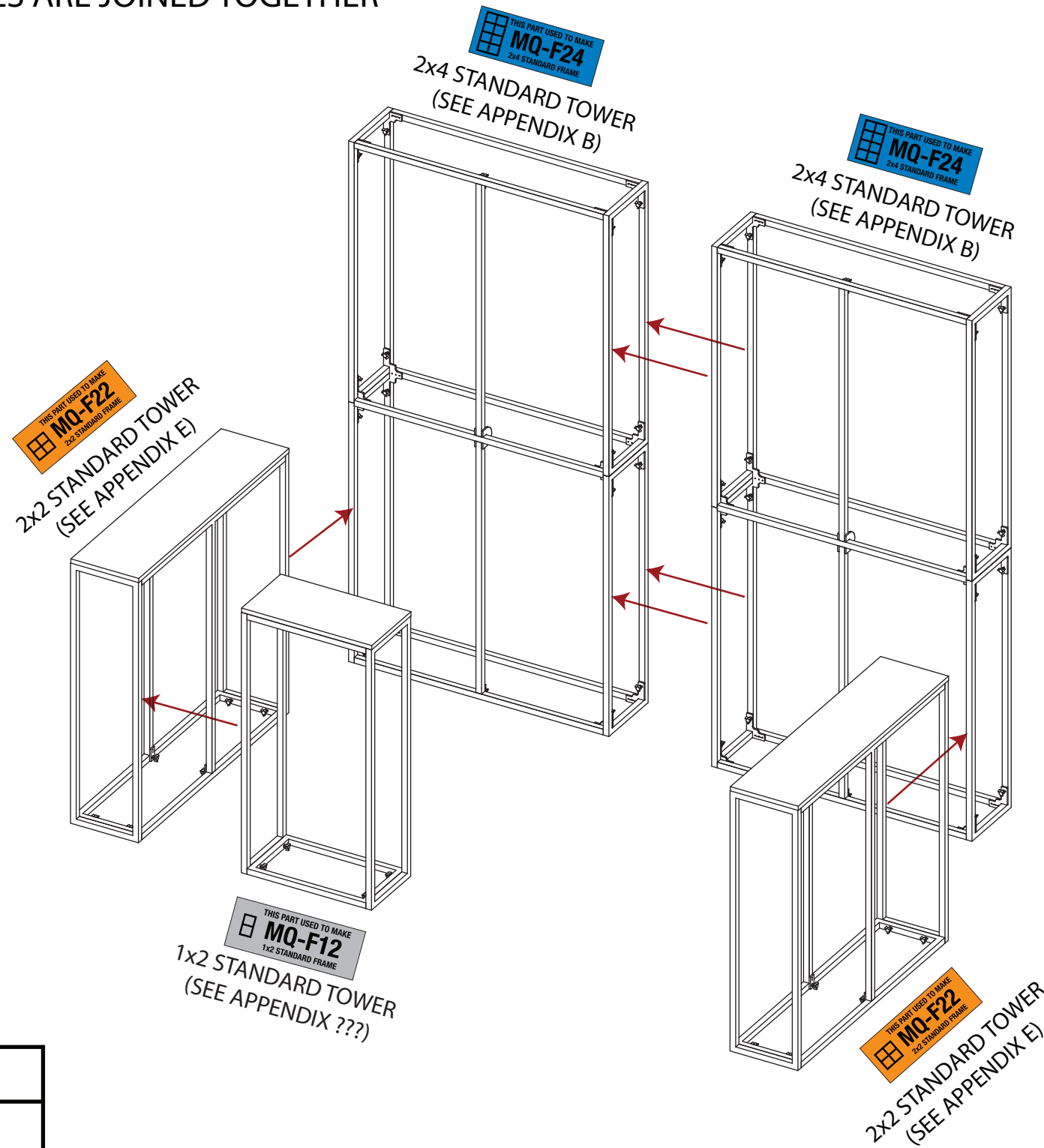
ELECTRICAL PLAN



PARTS LIST:

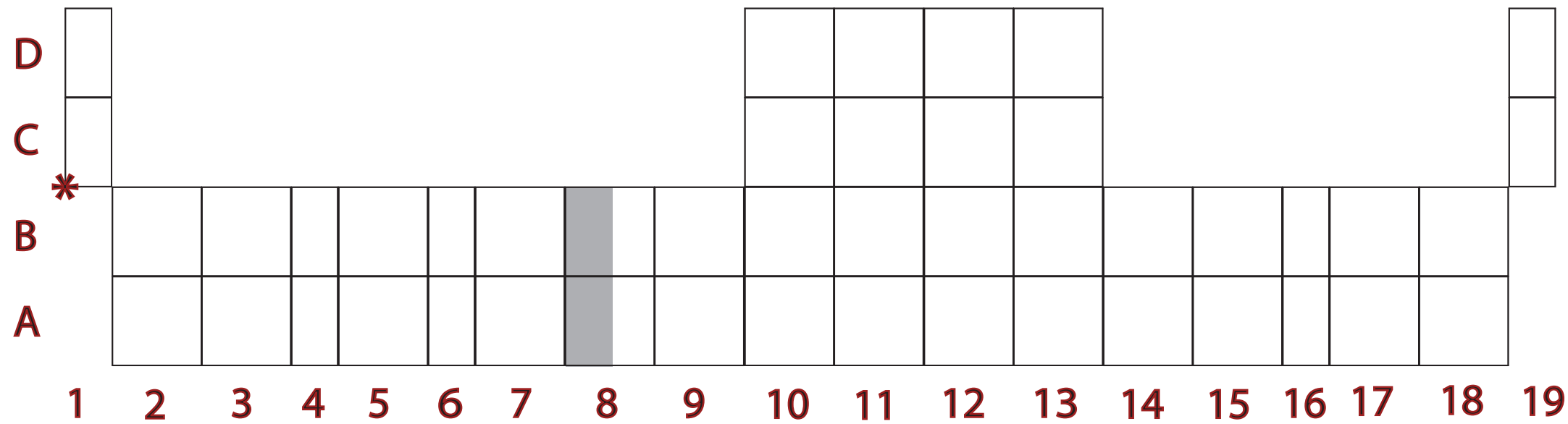
#	LABEL	NAME
1	MQ-F12 1x2 STANDARD FRAME	1x2 STANDARD TOWER
2	MQ-F22 2x2 STANDARD FRAME	2x2 STANDARD TOWER
2	MQ-F24 2x4 STANDARD FRAME	2x4 STANDARD TOWER

1. PLACE THE FAR LEFT TOWER INTO THE DESIRED LOCATION
2. SLIDE ADJACENT TOWER INTO PLACE AND ATTACH USING THE CORNER CONNECTORS AND RED THUMB SCREWS (SEE APPENDIX A)
3. REPEAT STEP 2 UNTIL ALL THE FRAMES ARE JOINED TOGETHER



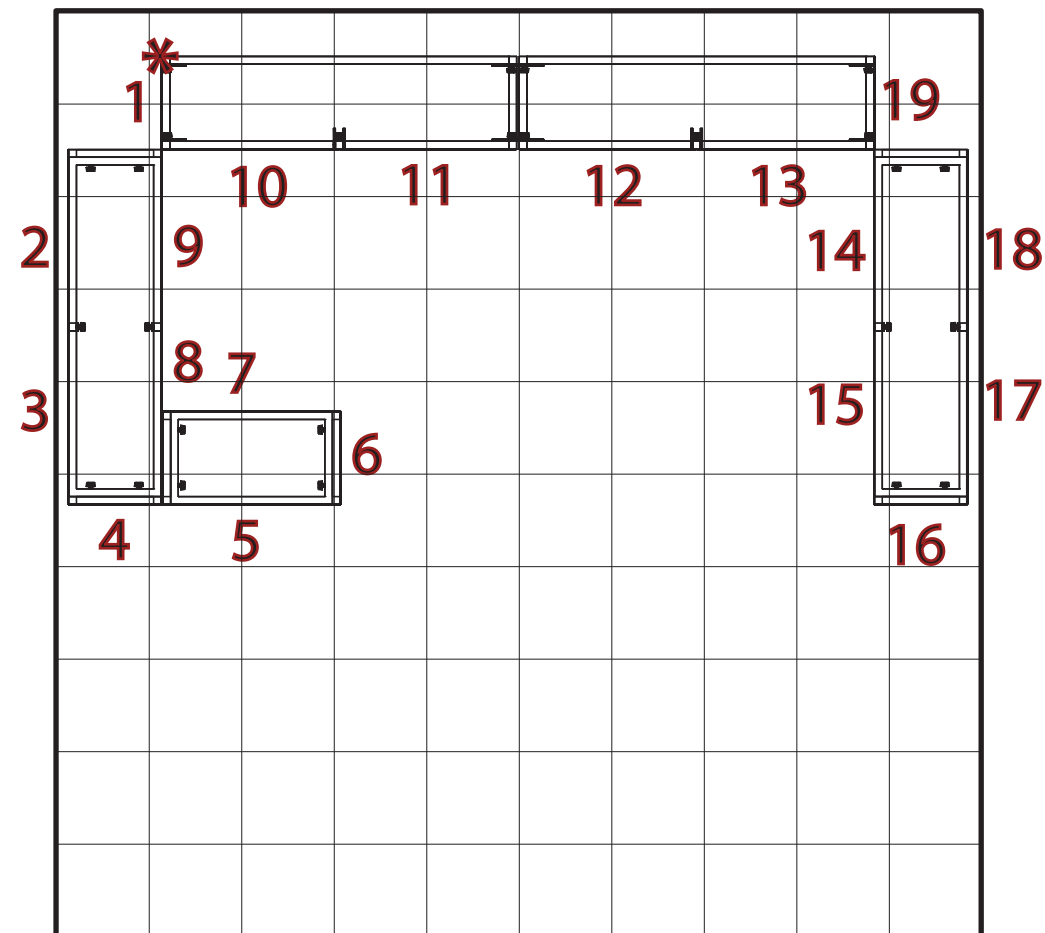
PARTS LIST:

#	LABEL	NAME
1	<small>THIS PART USED TO MAKE</small> MQ-F12 <small>1x2 STANDARD FRAME</small>	1x2 STANDARD TOWER
2	<small>THIS PART USED TO MAKE</small> MQ-F22 <small>2x2 STANDARD FRAME</small>	2x2 STANDARD TOWER
2	<small>THIS PART USED TO MAKE</small> MQ-F24 <small>2x4 STANDARD FRAME</small>	2x4 STANDARD TOWER



MAIN WALL FLATTEN ELEVATION

PARTS LIST:		
#	SIZE	NAME
36	23x23	STANDARD QUAD
10	12x23	SIDE QUAD



* = ORIGIN

Plan View



Expo EX PO Displays
A Division of Diamond Displays International

3401 Mary Taylor Road
Birmingham, Alabama 35235
(205) 439-8200

Drawn By: SH

Project Title

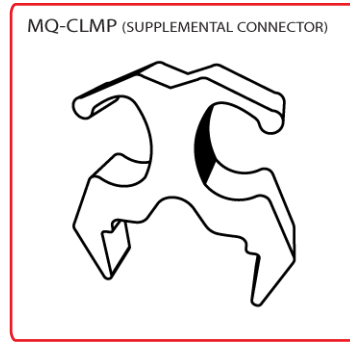
MultiQuad
An ExpoDisplays Product

MQ - K1310

Sheet Title

ASSEMBLY INSTRUCTIONS
GRAPHICS LAYOUT

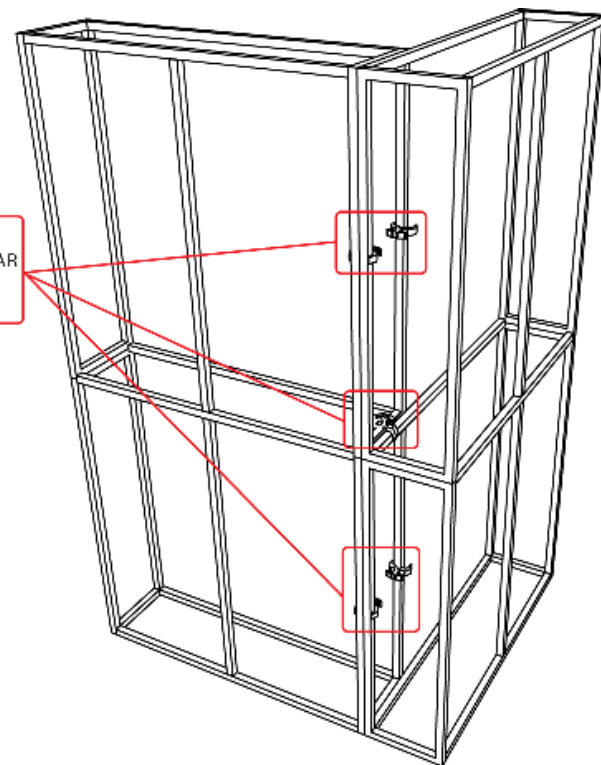
MQ-CLMP SUPPLEMENTAL CONNECTOR INSTRUCTIONS



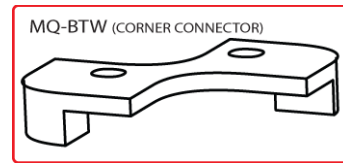
THE MQ-CLMP SUPPLEMENTAL CONNECTOR IS A FRICTION-FIT (SLIDES ON) CONNECTOR DESIGNED FOR USE IN ABNORMAL MULTIQUAD FRAME CONFIGURATIONS, OR AS ADDITIONAL FRAME SECURITY IN SPECIAL SITUATIONS.

THE MQ-CLMP SIMPLY SLIDES OVER THE MULTIQUAD FRAME WHERE NEEDED.

HERE THEY ARE USED TO SECURE A PERPENDICULAR FRAME-TO-FRAME CONFIGURATION

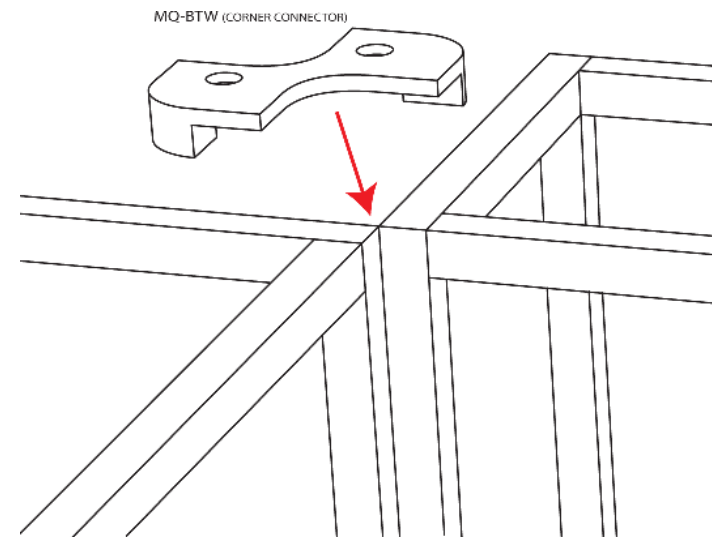


MQ-BTW CORNER CONNECTOR INSTRUCTIONS

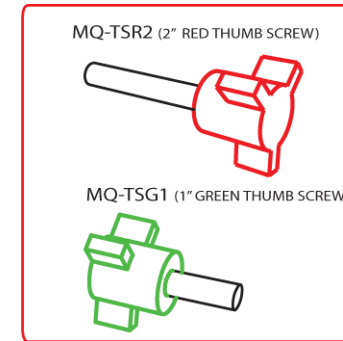


THE MQ-BTW CORNER CONNECTOR IS DESIGNED TO SUPPLEMENT THE "CORNER-TO-CORNER" CONNECTION NEEDED IN SOME MULTIQUAD CONFIGURATIONS. THE MQ-BTW IS MOST EFFECTIVE ON THE TOP OF THE FRAMES, BUT CAN BE USED ON THE BOTTOM ALSO.

AFTER THE TWO MULTIQUAD FRAMES ARE SET "CORNER-TO-CORNER" THE MQ-BTW SIMPLY SLIDES OVER THE CORNER AND SETTLES INTO PLACE. THIS WILL FURTHER SECURE THE MULTIQUAD FRAME.



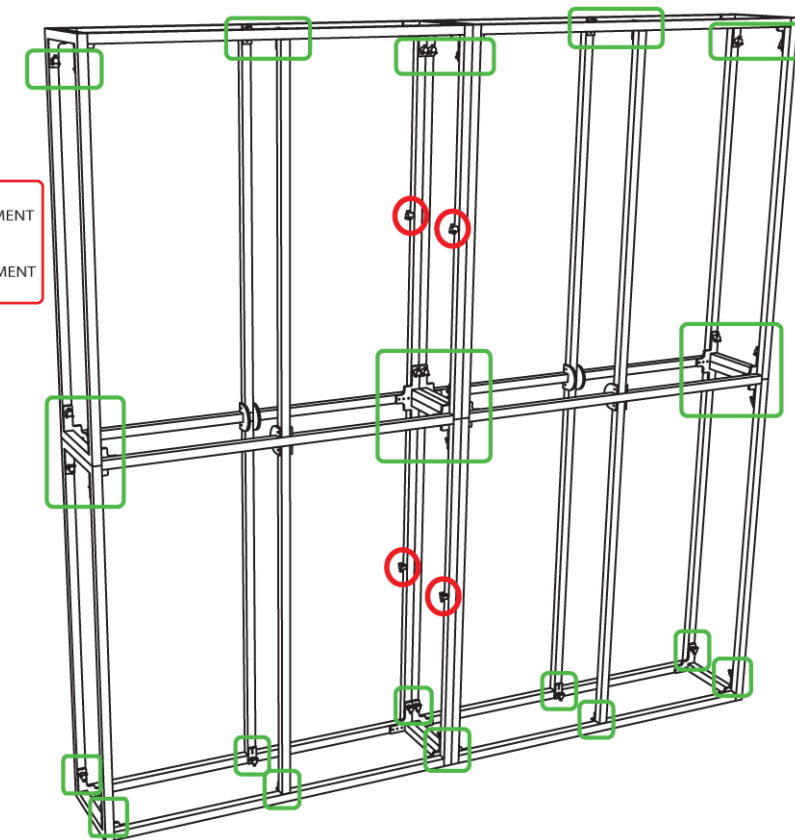
MQ-TSR2 / MQ-TSG1 THUMB SCREW INSTRUCTION



THE MQ-TSR2 IS A 2" RED THUMB SCREW. IT IS USED TO CONNECT MULTIQUAD FRAMES INTO AN INLINE CONFIGURATION. MULTIQUAD FRAMES HAVE A LEFT AND RIGHT SIDE AFTER CONSTRUCTION. THESE SCREWS PASS THROUGH ONE FRAME AND SCREW INTO THE OTHER FRAME.

THE MQ-TSG1 IS A 1" GREEN THUMB SCREW. IT IS USED TO BUILD ALL MULTIQUAD FRAMES.

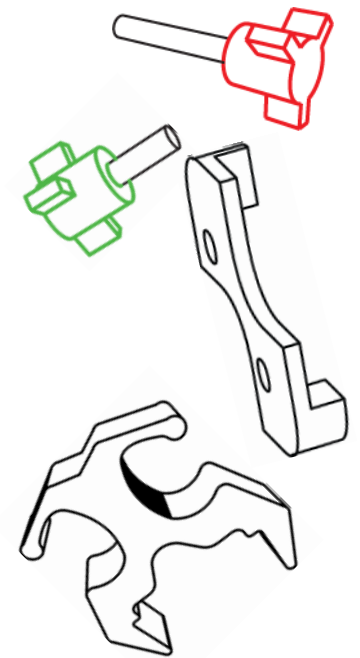
- = MQ-TSR2 PLACEMENT
- = MQ-TSG1 PLACEMENT



Expo EX PO Displays
A Division of Diamond Displays International

3401 Mary Taylor Road
Birmingham, Alabama 35235
(205) 439-8200

Drawn By: AKHIII



Sheet Title

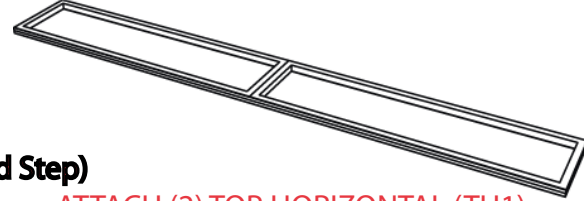
**ASSEMBLY
INSTRUCTIONS
CONNECTORS**

PARTS LIST:

#	LABEL	NAME
1	LVH1	LEFT VERTICAL HINGED
1	RVH1	RIGHT VERTICAL HINGED
2	BH1	BOTTOM HORIZONTAL
2	MH1	MIDDLE HORIZONTAL
2	TH1	TOP HORIZONTAL
2	CVH1	CENTER VERTICAL HINGED
18	GRN	1" THUMB SCREWS
4	RED	2" THUMB SCREWS

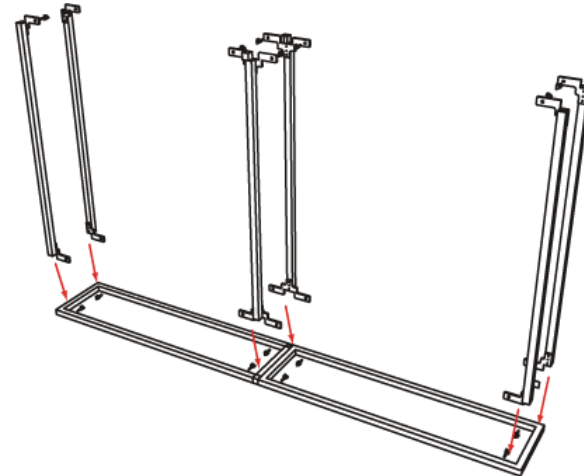
1st Step)

START WITH THE LEFT VERTICAL HINGE (LVH1) ON THE GROUND



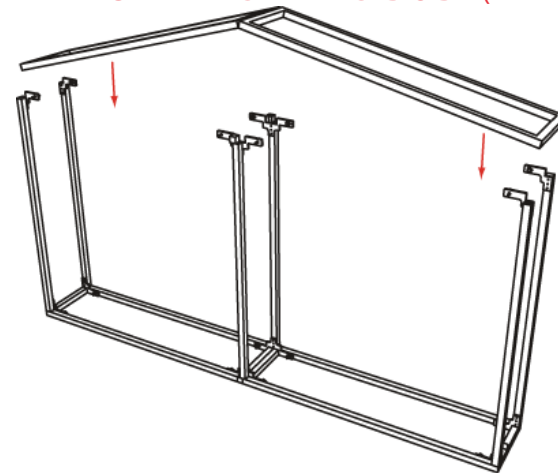
2nd Step)

ATTACH (2) TOP HORIZONTAL (TH1), (2) MIDDLE HORIZONTAL (MH1), (2) BOTTOM HORIZONTAL (BH1)



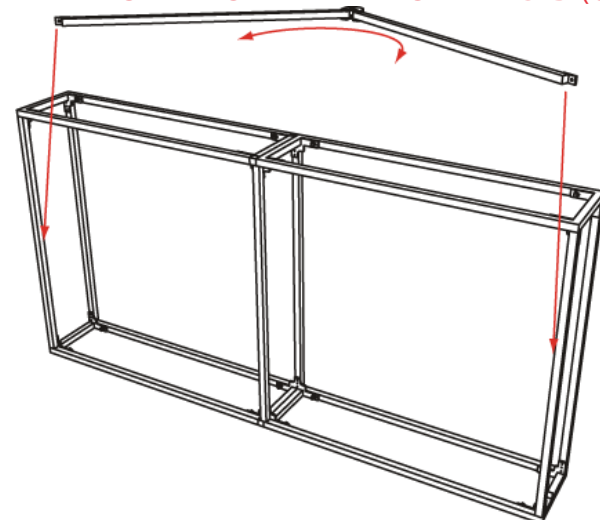
3rd Step)

ATTACH THE RIGHT HINGED SIDE (RVH1)

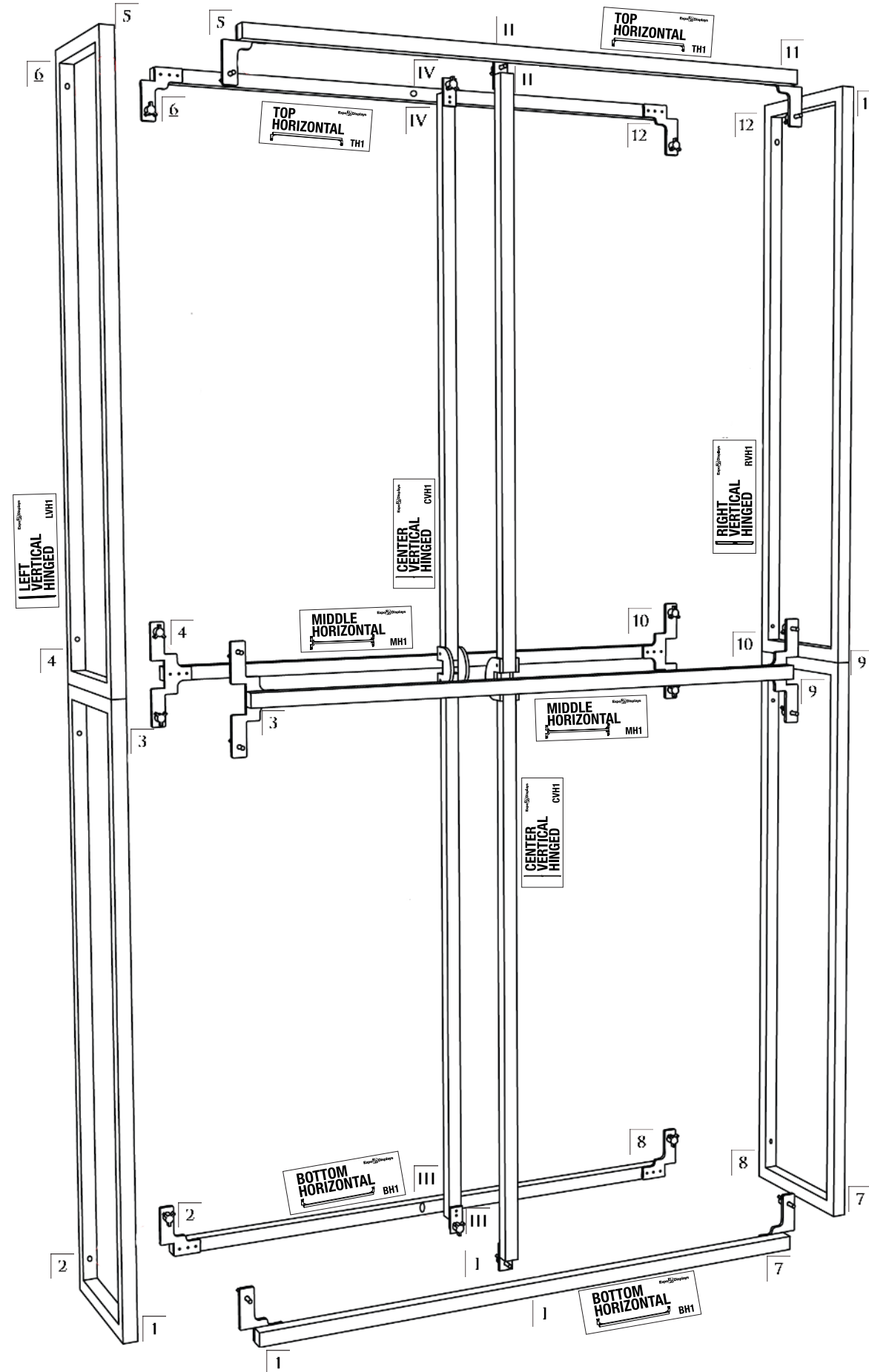


4th Step)

ATTACH THE CENTER VERTICAL HINGED (CVH1)



*MATCH NUMBERS TO CONSTRUCT.

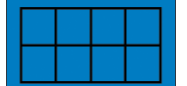


Expo EX PO Displays
A Division of Diamond Displays International

3401 Mary Taylor Road
Birmingham, Alabama 35235
(205) 439-8200

Drawn By: AKHIII

THIS PART USED TO MAKE
MQ-F24
2x4 STANDARD FRAME



Sheet Title

ASSEMBLY INSTRUCTIONS
2x4 STANDARD FRAME
MQ-F24

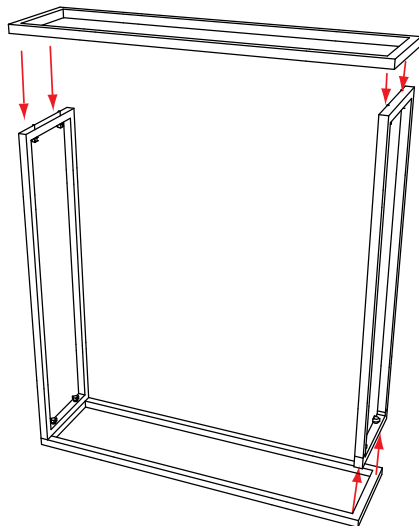
APPENDIX B

PARTS LIST:

#	LABEL	NAME
1	LVR1	LEFT VERTICAL RECTANGLE
1	RVR1	RIGHT VERTICAL RECTANGLE
1	BHR1	BOTTOM HORIZONTAL RECT.
2	CVH2	CENTER VERTICAL HALF
1	THR2	TOP HORIZONTAL RECTANGLE
4	GRN	1" THUMB SCREWS
8	RED	2" THUMB SCREWS
1	CT1246	COUNTER TOP FOR MQ-F22C

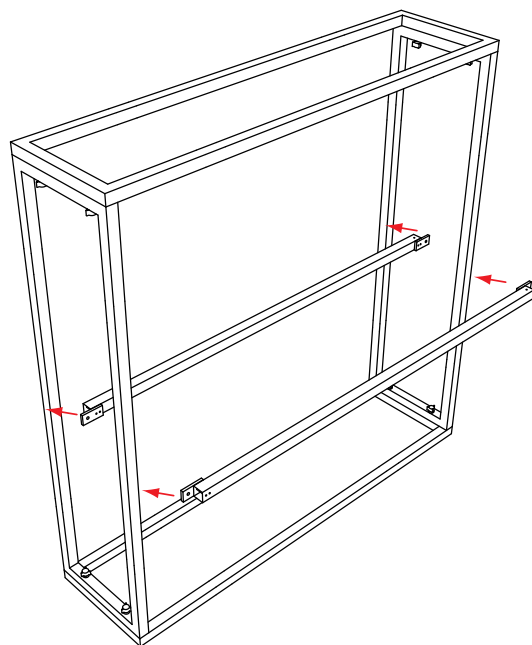
1st Step)

START WITH THE (LVR1) ON THE GROUND. ATTACH THE (THR1), (BHR1), AND (RVR1)



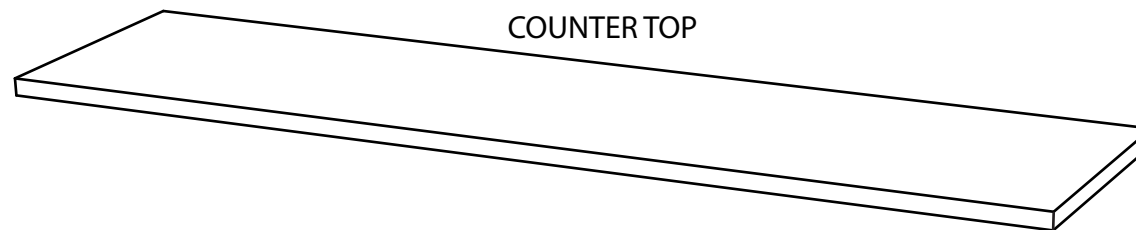
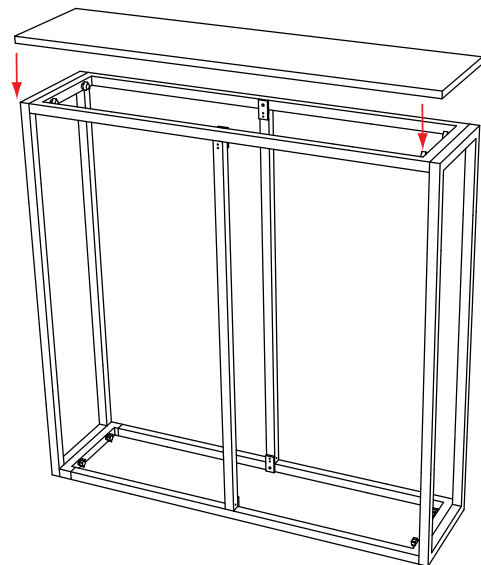
2nd Step)

ATTACH THE (2) CENTER VERTICLE (CVH2)

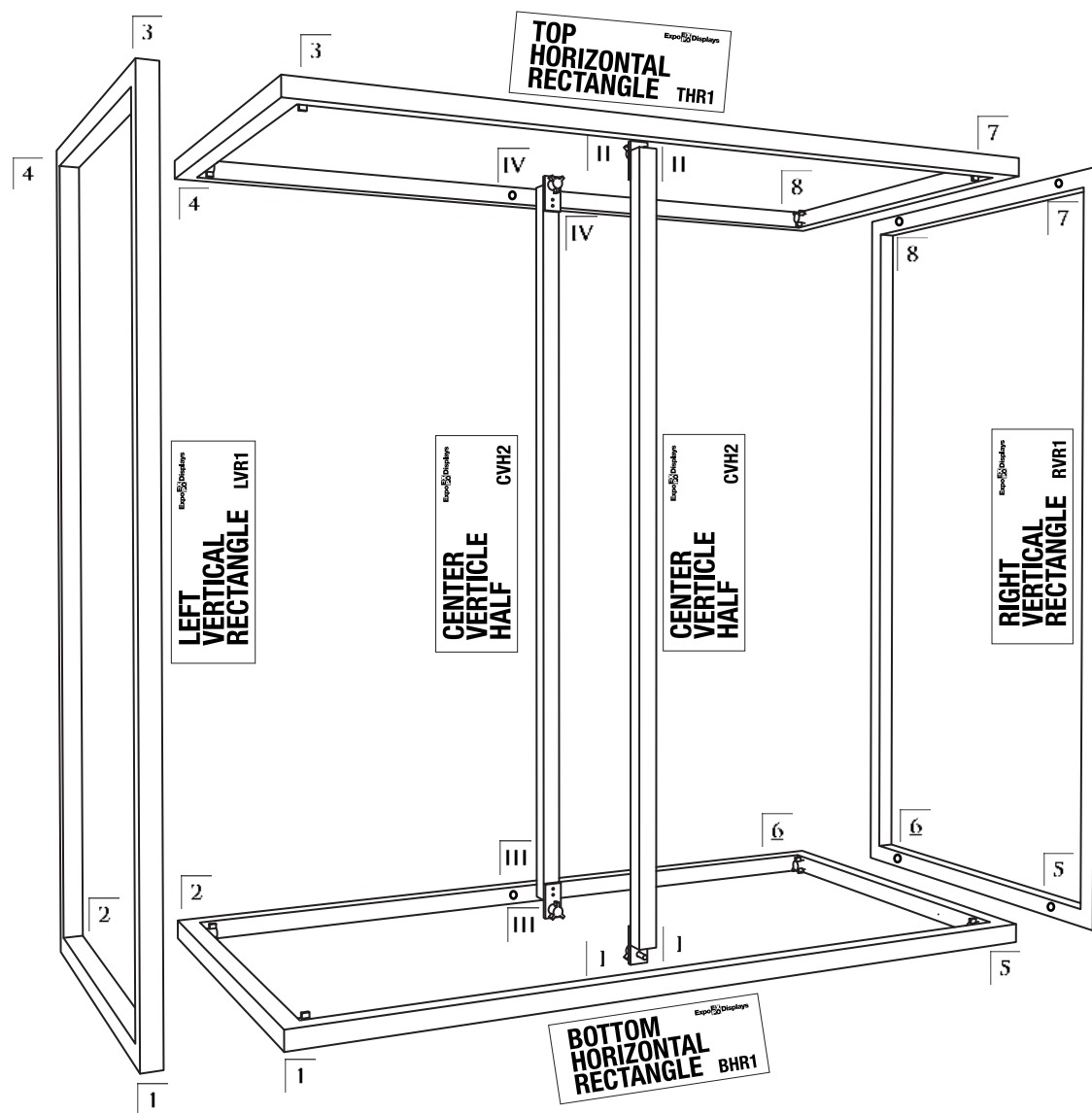


3rd Step)

STAND UPRIGHT AND PLACE COUNTER ON TOP



*MATCH NUMBERS TO CONSTRUCT.



THIS PART USED TO MAKE
MQ-F22C
2x2 STANDARD COUNTER

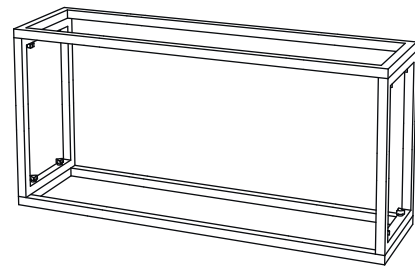
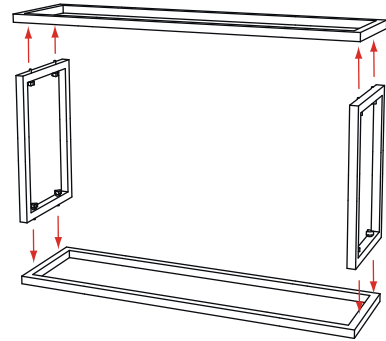
**ASSEMBLY
INSTRUCTIONS
2x2 STANDARD
COUNTER
MQ-F22C**

PARTS LIST:

#	LABEL	NAME
1	LVR1	LEFT VERTICAL RECTANGLE
1	RVR1	RIGHT VERTICAL RECTANGLE
1	BHR2	BOTTOM HORIZONTAL
1	THR2	TOP HORIZONTAL RECTANGLE
1	CT1223	COUNTER TOP
8	RED	2" THUMB SCREWS
0	GRN	1" THUMB SCREWS

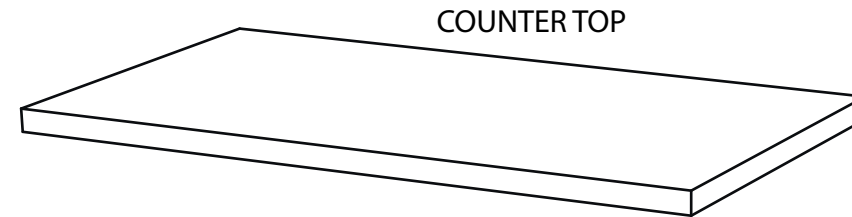
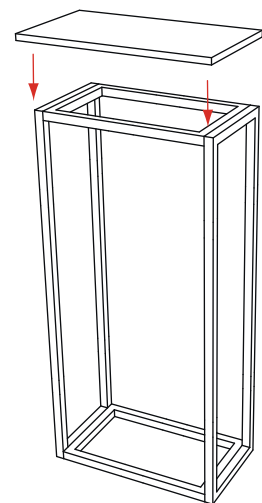
1st Step)

START WITH THE (LVR1) ON THE GROUND. ATTACH THE (THR2), AND (BHR2) THEN ATTACH THE (RVR1)

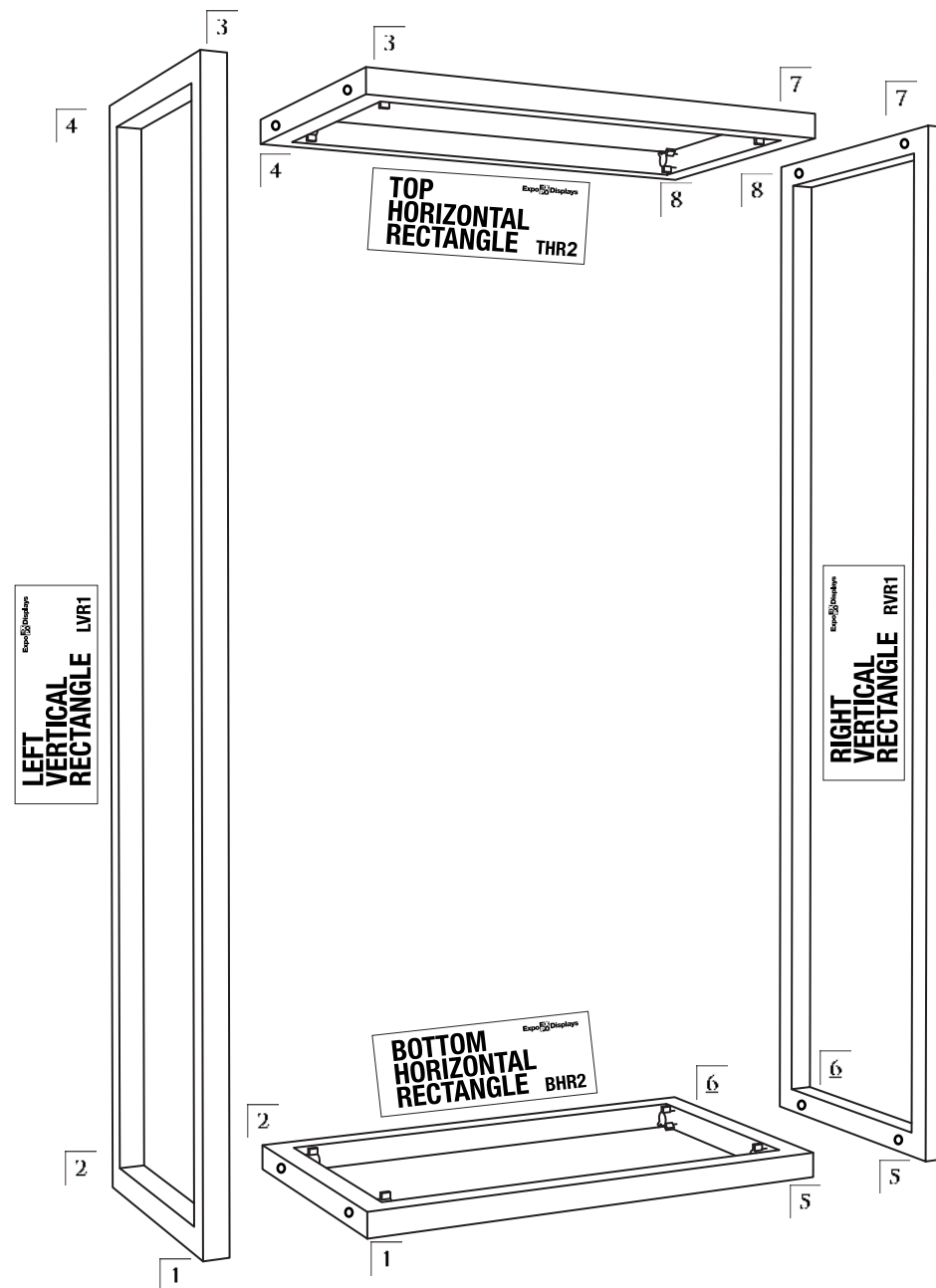


2nd Step)

ATTACH THE COUNTER TOP



*MATCH NUMBERS TO CONSTRUCT.



Expo EX PO Displays
A Division of Diamond Displays International

3401 Mary Taylor Road
Birmingham, Alabama 35235
(205) 439-8200

Drawn By: AKHIII

THIS PART USED TO MAKE
MQ-F12
1x2 STANDARD FRAME

Sheet Title

**ASSEMBLY
INSTRUCTIONS
1X2 STND COUNTER
MQ-F12C**

APPENDIX T