

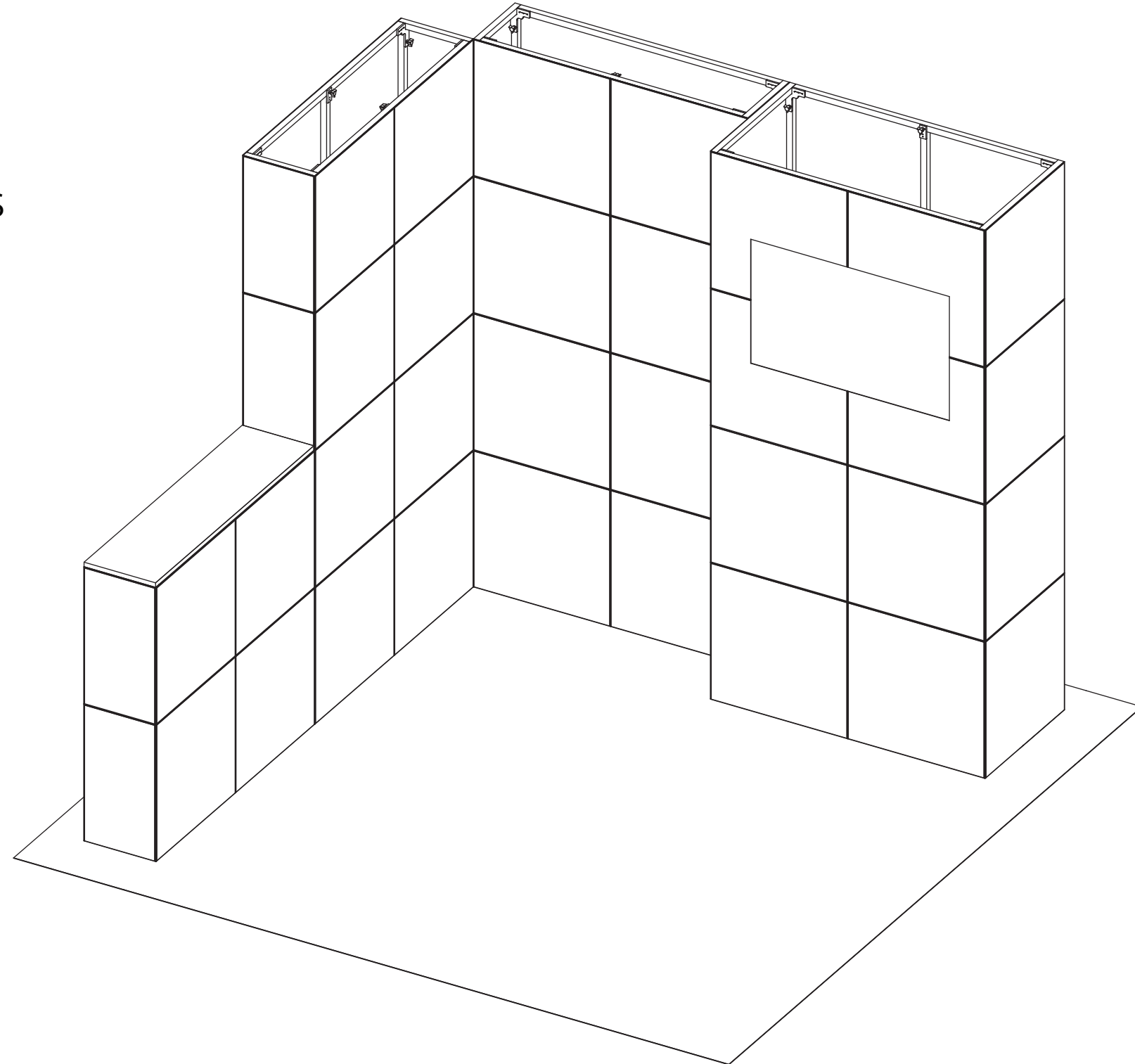
WHEN ASSEMBLING **EX PO MultiQuad**[®]

REMEMBER YOUR **ABC**'s...

ASSEMBLE EACH COMPONENT SEPARATELY

BUILD THE DESIRED LAYOUT

COVER YOUR MULTIQUAD LAYOUT WITH QUADS



EX PO MultiQuad[®]
An **ExpoDisplays** Product

MQ - K1030 - HD
10'x10' Custom MultiQuad



Expo EX PO Displays[®]
A Division of Diamond Displays International

3401 Mary Taylor Road
Birmingham, Alabama 35235
(205) 439-8200

Drawn By: SH

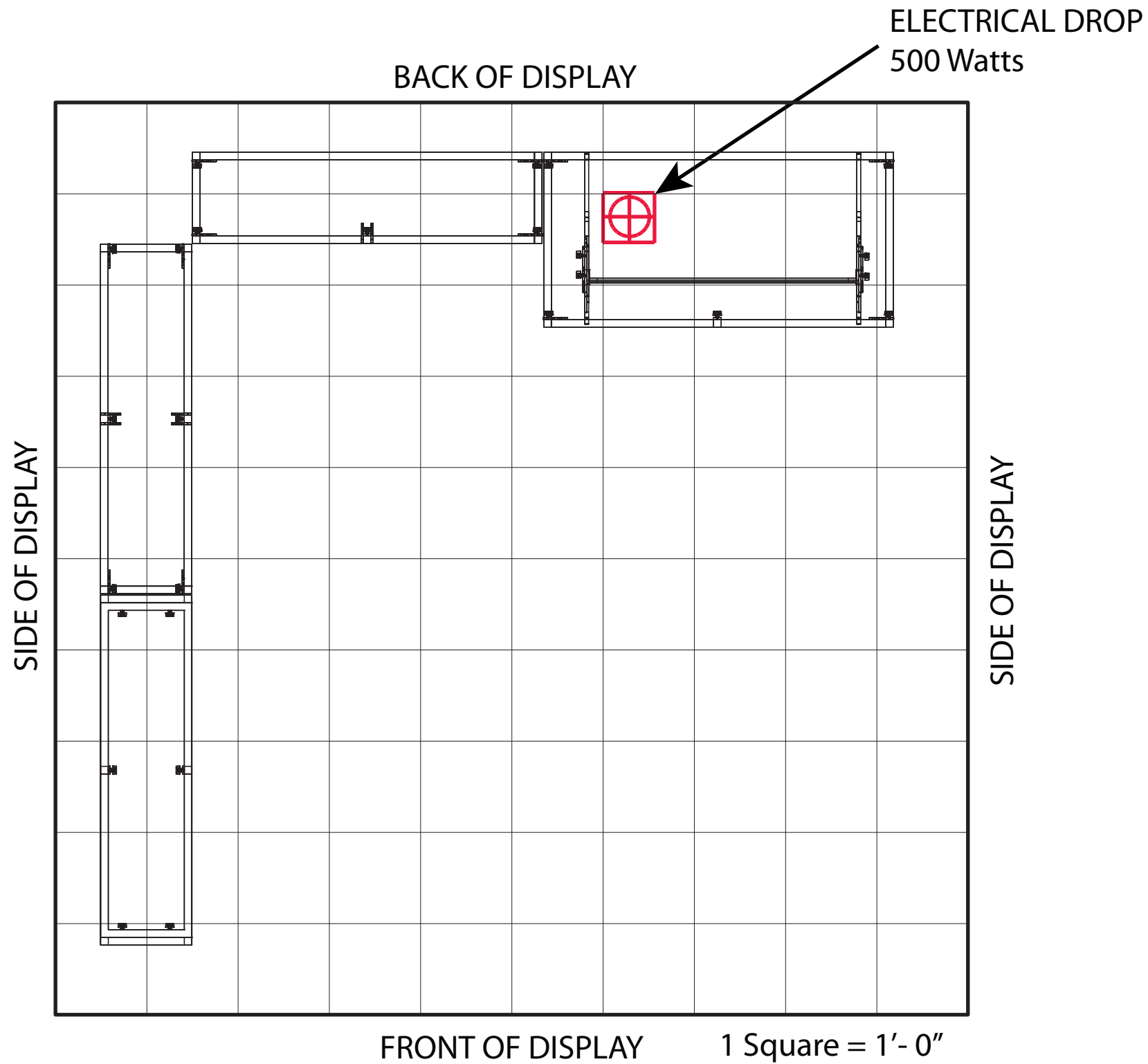
Project Title

MultiQuad[®]
An ExpoDisplays Product

MQ - K1030 - HD

Sheet Title

**ASSEMBLY
INSTRUCTIONS
COVER SHEET**



Expo EX PO Displays
A Division of Diamond Displays International

3401 Mary Taylor Road
Birmingham, Alabama 35235
(205) 439-8200

Drawn By: SH

Project Title

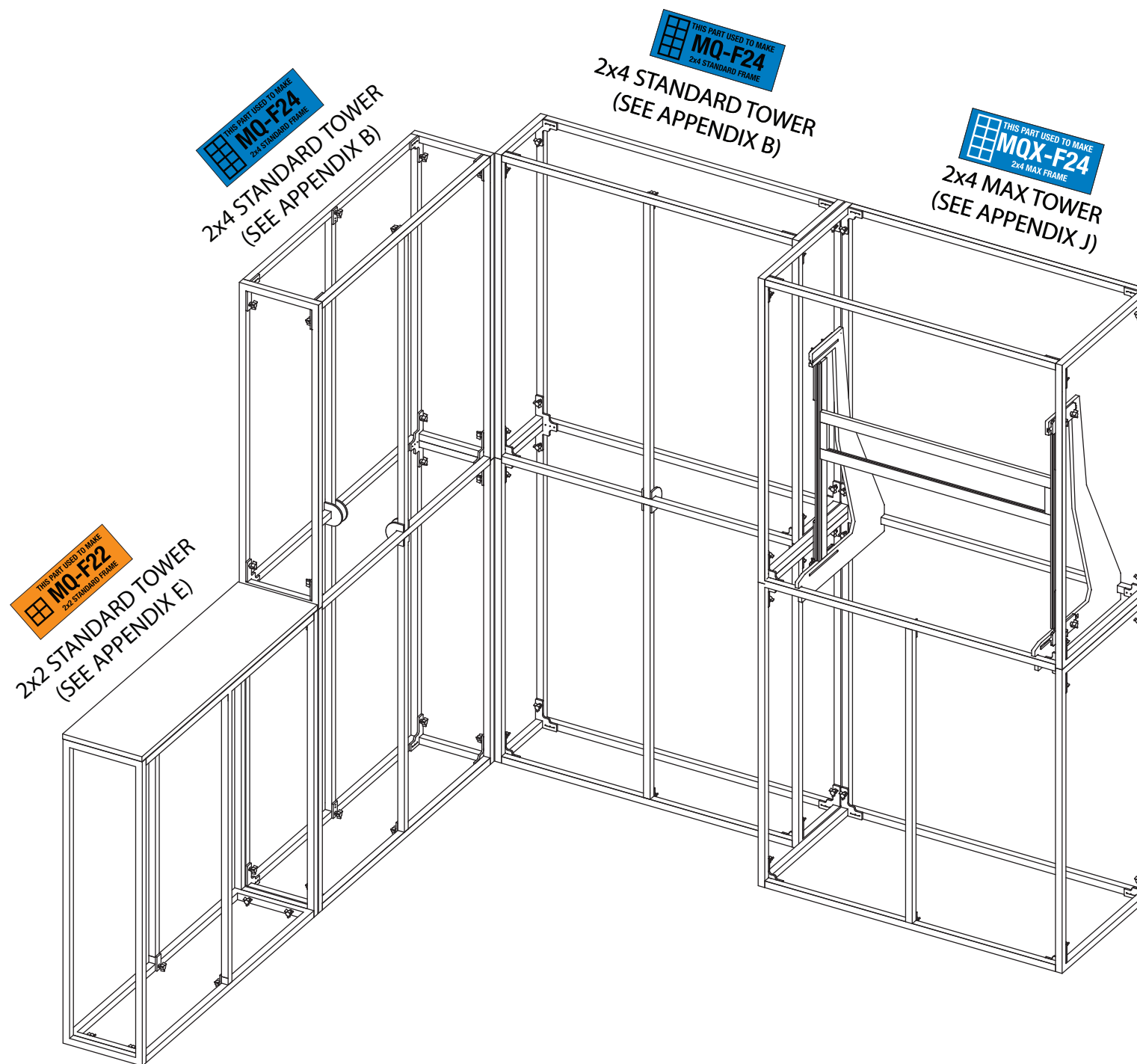
MultiQuad
An ExpoDisplays Product

MQ - K1030 - HD

Sheet Title

**ASSEMBLY
INSTRUCTIONS**

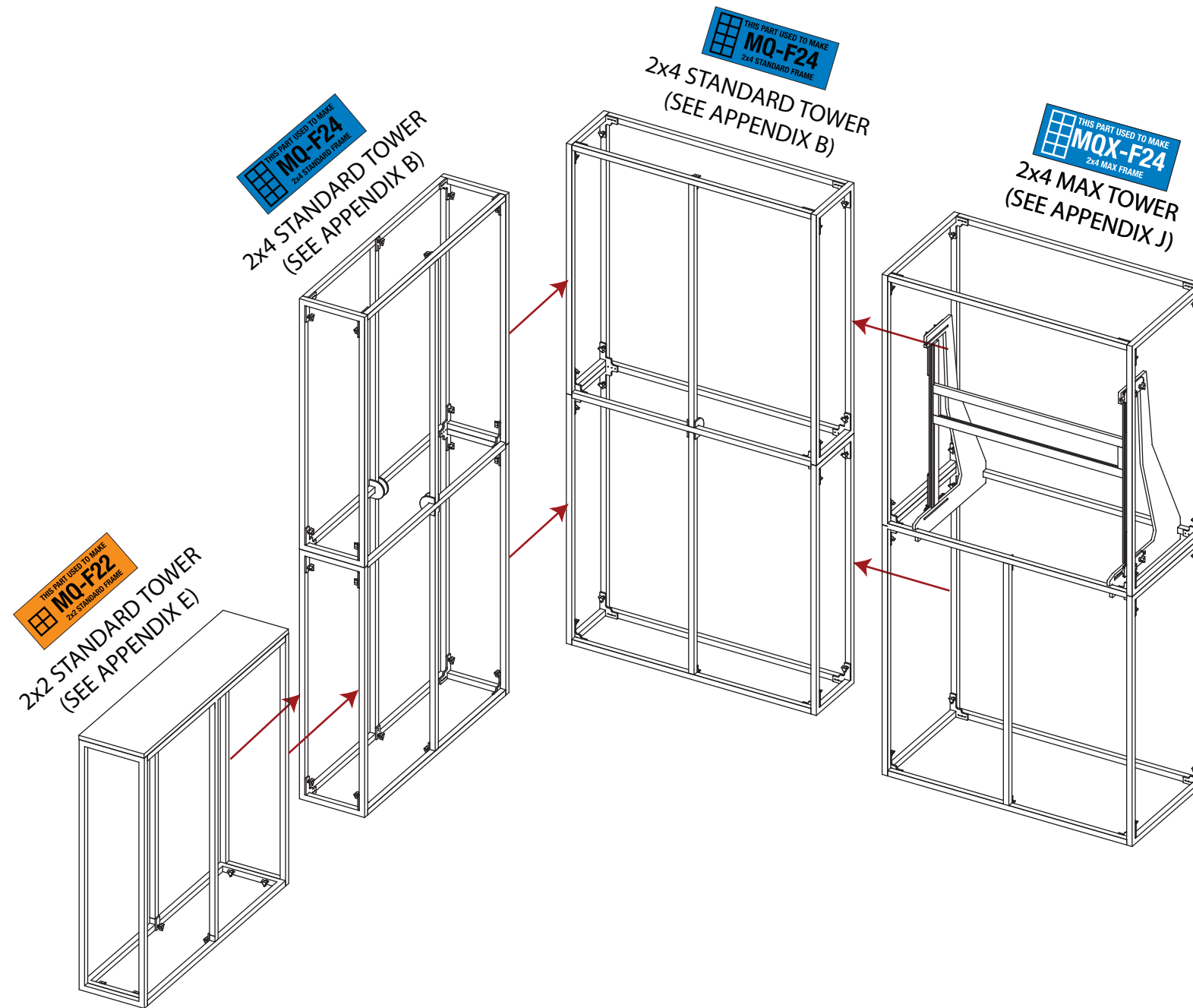
ELECTRICAL PLAN



PARTS LIST:

#	LABEL	NAME
1	MQ-F22 2x2 STANDARD FRAME	2x2 STANDARD TOWER
2	MQ-F24 2x4 STANDARD FRAME	2x4 STANDARD TOWER
1	MQX-F24 2x4 MAX FRAME	2x4 MAX TOWER

1. PLACE THE FAR LEFT TOWER INTO THE DESIRED LOCATION
2. SLIDE ADJACENT TOWER INTO PLACE AND ATTACH USING THE CORNER CONNECTORS AND RED THUMB SCREWS (SEE APPENDIX A)
3. REPEAT STEP 2 UNTIL ALL THE FRAMES ARE JOINED TOGETHER



Expo EXPO Displays
A Division of Diamond Displays International

3401 Mary Taylor Road
Birmingham, Alabama 35235
(205) 439-8200

Drawn By: SH

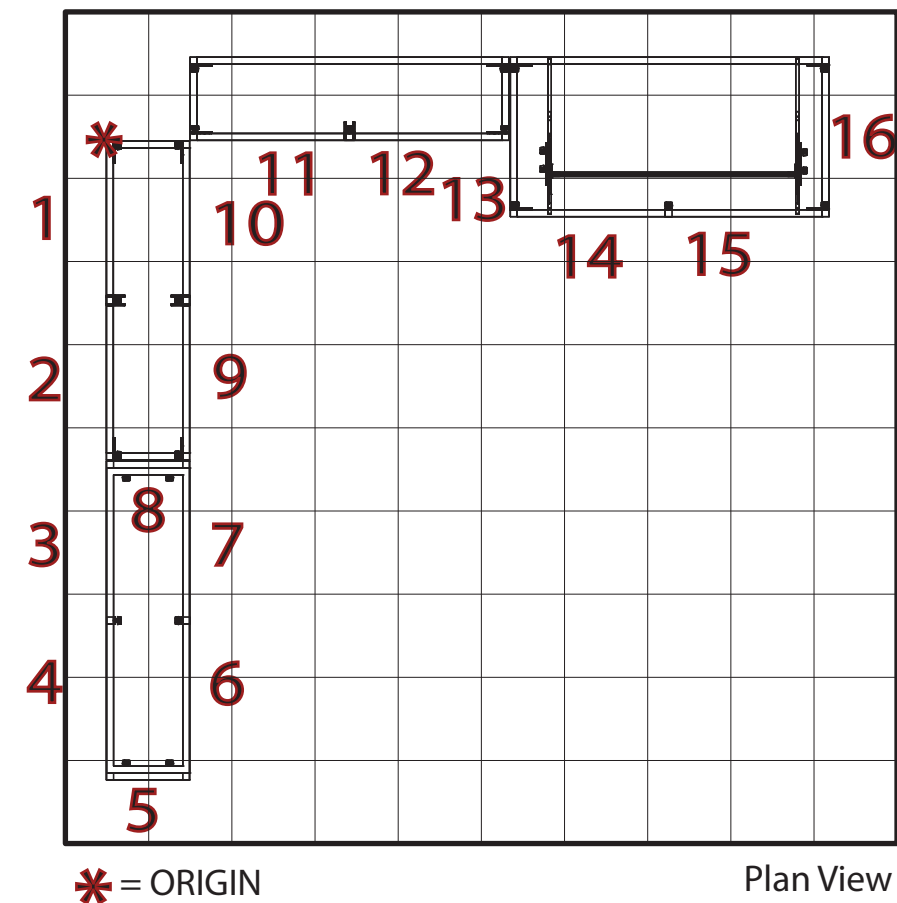
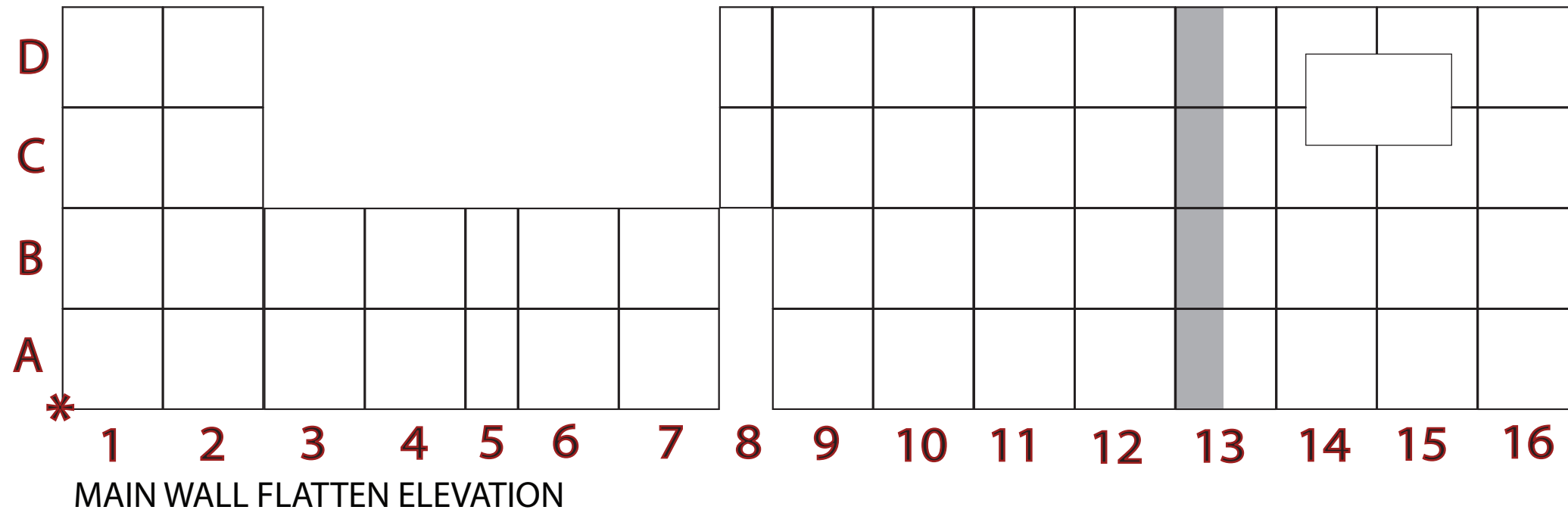
Project Title

MultiQuad
An ExpoDisplays Product

MQ - K1030 - HD

Sheet Title

**ASSEMBLY
INSTRUCTIONS
EXPLODED LAYOUT**



PARTS LIST:		
#	SIZE	NAME
44	23x23	STANDARD QUAD
4	12x23	SIDE QUAD
4		L-SHAPED QUADS



Expo EX PO Displays
A Division of Diamond Displays International

3401 Mary Taylor Road
Birmingham, Alabama 35235
(205) 439-8200

Drawn By: AKHIII

Project Title

EX PO MultiQuad
An ExpoDisplays Product

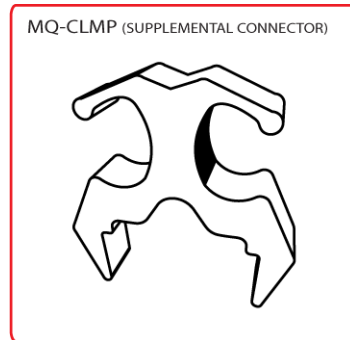
MQ - K1030 - HD

Sheet Title

ASSEMBLY INSTRUCTIONS

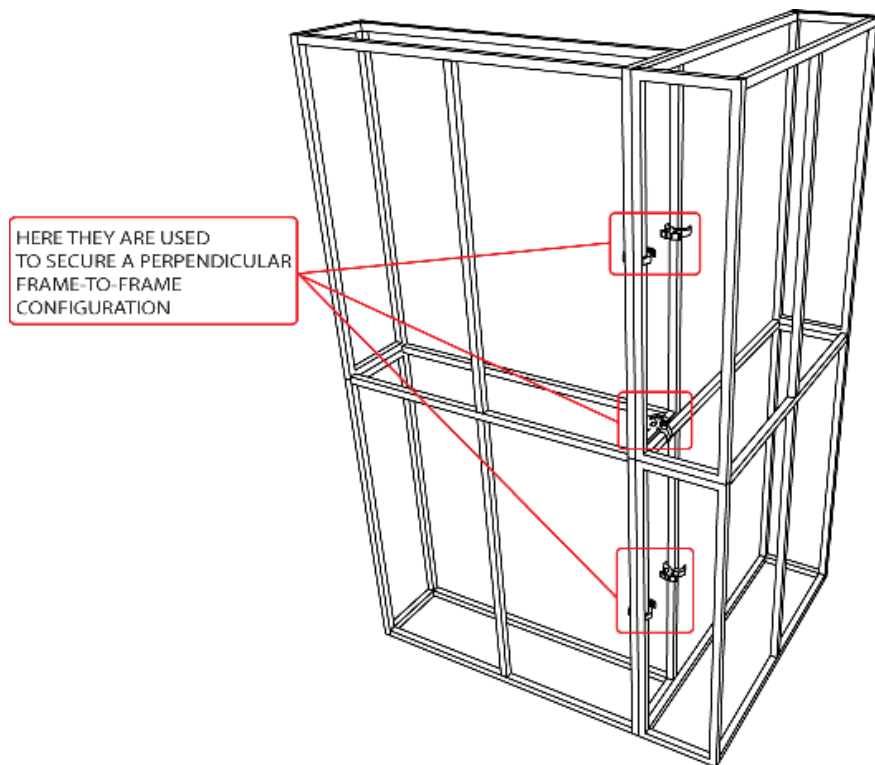
GRAPHICS LAYOUT

MQ-CLMP SUPPLEMENTAL CONNECTOR INSTRUCTIONS
(NOT REQUIRED IN EVERY CONFIGURATION)



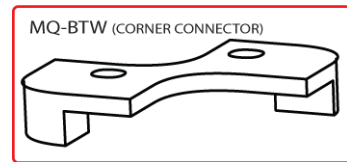
THE MQ-CLMP IS A FRICTION-FIT (SLIDES ON) CONNECTOR/ ALIGNMENT TOOL FOR USE IN ABNORMAL MULTIQUAD FRAME CONFIGURATIONS, OR AS ADDITIONAL FRAME SECURITY IN SPECIAL SITUATIONS.

THE MQ-CLMP SIMPLY SLIDES OVER THE MULTIQUAD FRAME WHERE NEEDED



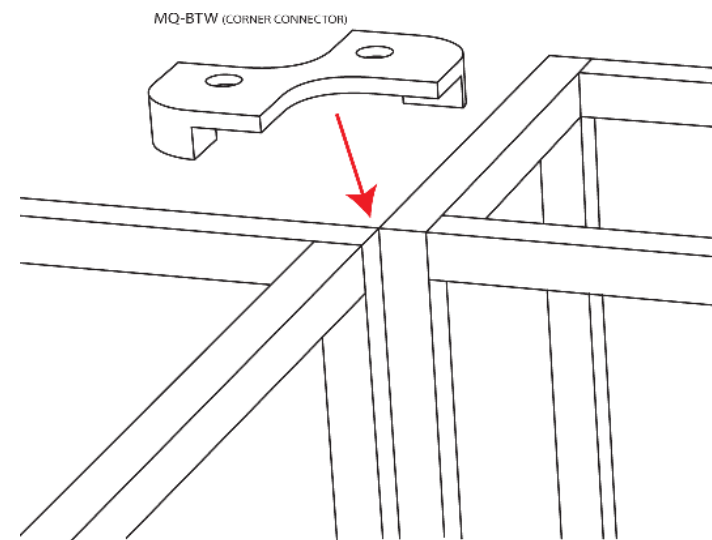
HERE THEY ARE USED TO SECURE A PERPENDICULAR FRAME-TO-FRAME CONFIGURATION

MQ-BTW CORNER ALIGNMENT TOOL INSTRUCTIONS
(NOT REQUIRED IN EVERY CONFIGURATION)

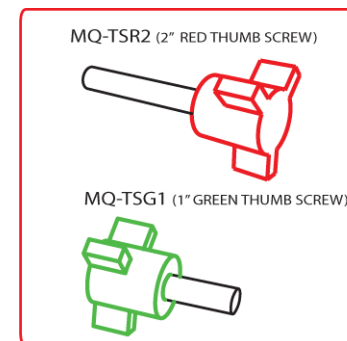


THE MQ-BTW CORNER ALIGNMENT TOOL IS DESIGNED TO AID IN THE ALIGNMENT OF FRAMES AS NEEDED IN SOME MULTIQUAD CONFIGURATIONS.

AFTER TWO MULTIQUAD FRAMES ARE SET "CORNER-TO-CORNER" THE MQ-BTW SIMPLY SLIDES OVER THE CORNER AND SETTLES INTO PLACE. THIS, ALONG WITH THE ADJUSTMENT OF THE LEVELING FEET, WILL HELP WITH THE ALIGNMENT OF THE FRAMES

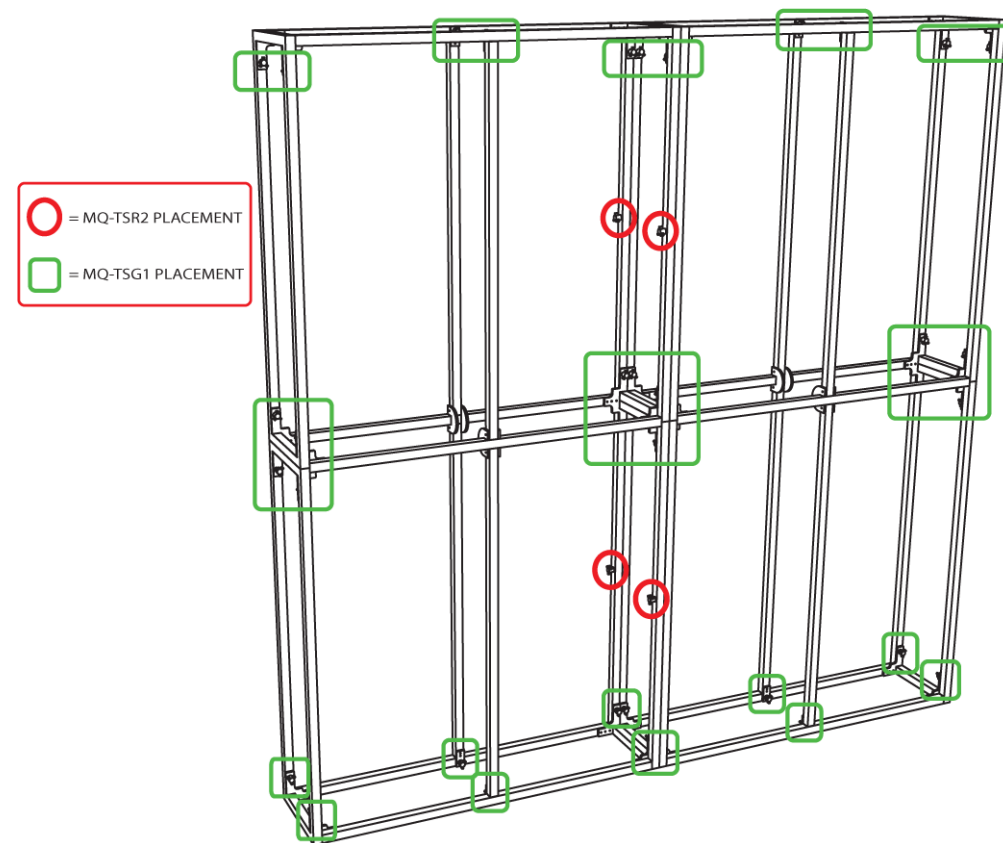


MQ-TSR2 / MQ-TSG1 THUMB SCREW INSTRUCTION

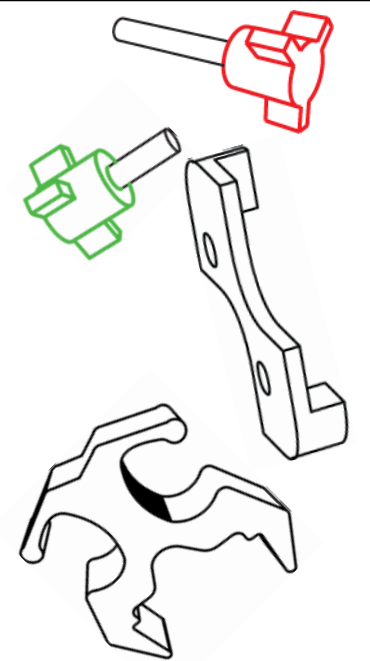


THE MQ-TSR2 IS A 2" RED THUMB SCREW. IT IS USED TO CONNECT MULTIQUAD FRAMES INTO AN INLINE CONFIGURATION. MULTIQUAD FRAMES HAVE A LEFT AND A RIGHT SIDE AFTER CONSTRUCTION. THESE SCREWS PASS THROUGH ONE FRAME AND A SCREW INTO ANOTHER ADJACENT FRAME.

THE MQ-TSG1 IS A 1" GREEN SCREW. THEY ARE USED TO ASSEMBLE MOST MULTIQUAD FRAMES



○ = MQ-TSR2 PLACEMENT
□ = MQ-TSG1 PLACEMENT

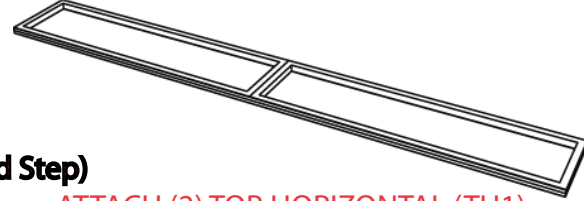


PARTS LIST:

#	LABEL	NAME
1	LVH1	LEFT VERTICAL HINGED
1	RVH1	RIGHT VERTICAL HINGED
2	BH1	BOTTOM HORIZONTAL
2	MH1	MIDDLE HORIZONTAL
2	TH1	TOP HORIZONTAL
2	CVH1	CENTER VERTICAL HINGED
20	GRN	1" THUMB SCREWS
4	RED	2" THUMB SCREWS

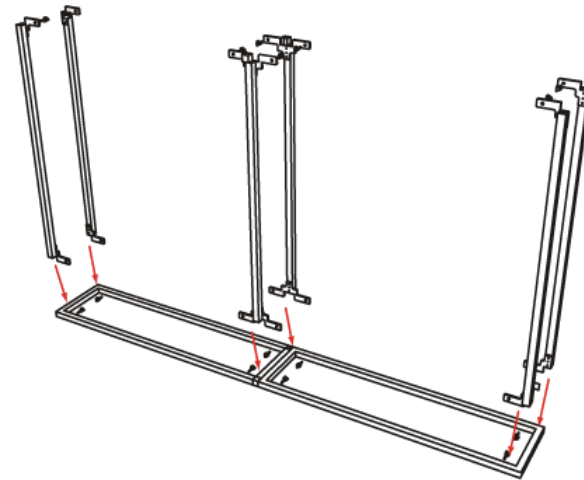
1st Step)

START WITH THE LEFT VERTICAL HINGE (LVH1) ON THE GROUND



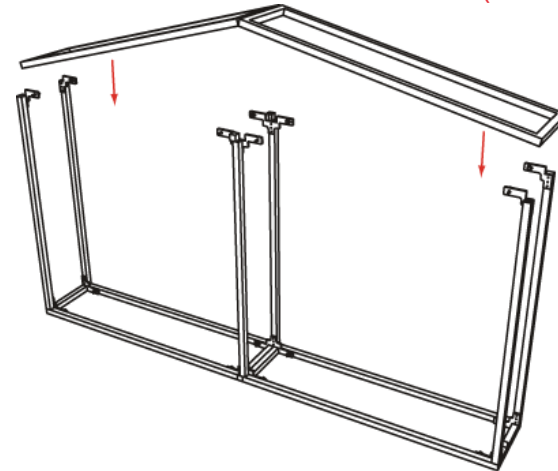
2nd Step)

ATTACH (2) TOP HORIZONTAL (TH1), (2) MIDDLE HORIZONTAL (MH1), (2) BOTTOM HORIZONTAL (BH1)



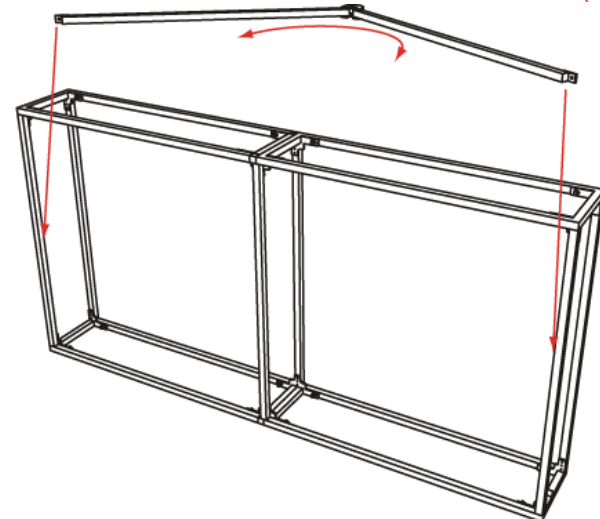
3rd Step)

ATTACH THE RIGHT HINGED SIDE (RVH1)

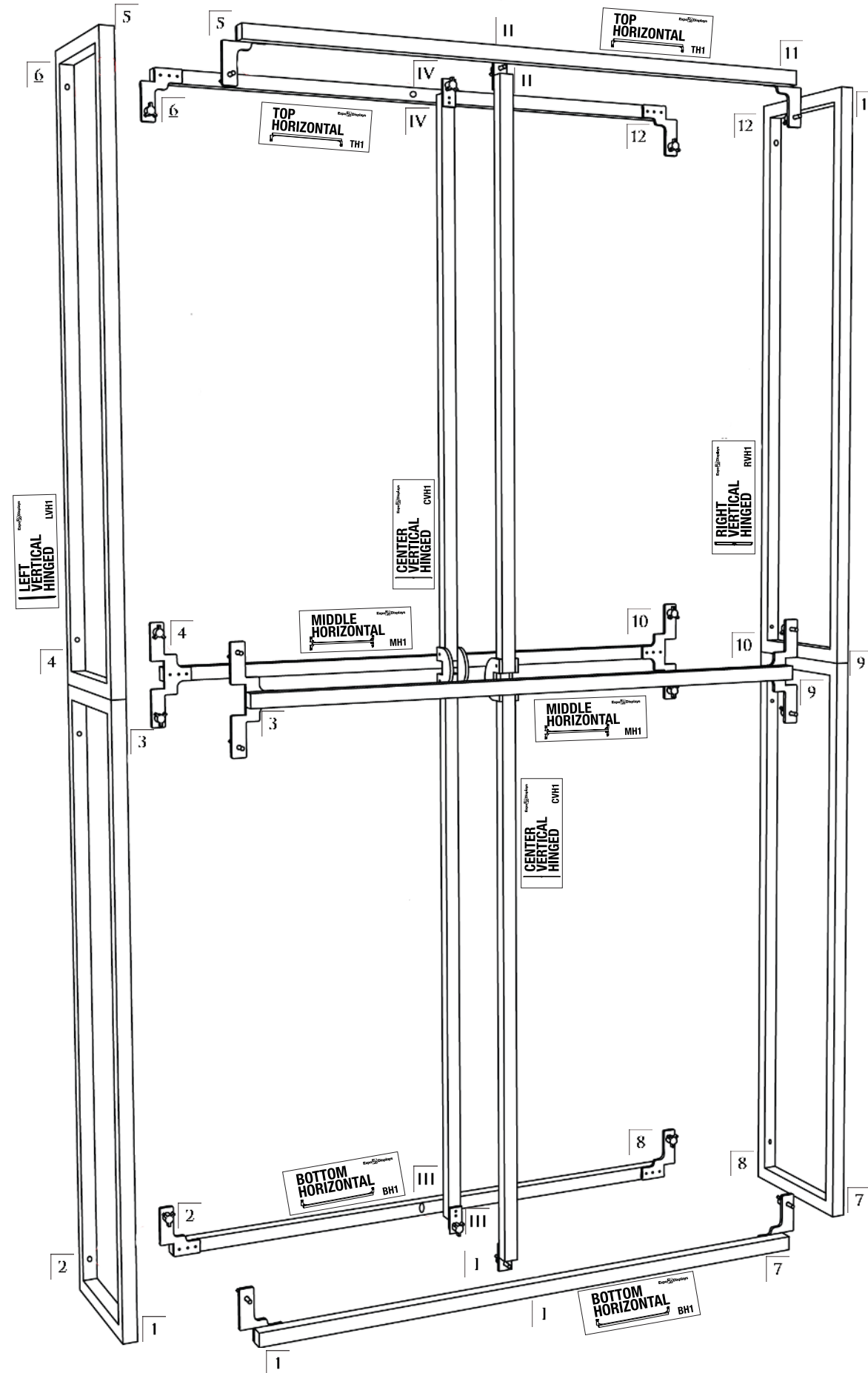


4th Step)

ATTACH THE CENTER VERTICAL HINGED (CVH1)



*MATCH NUMBERS TO CONSTRUCT.



Expo EX PO Displays
A Division of Diamond Displays International

3401 Mary Taylor Road
Birmingham, Alabama 35235
(205) 439-8200

Drawn By: AKHIII

THIS PART USED TO MAKE
MQ-F24
2x4 STANDARD FRAME

Sheet Title

ASSEMBLY INSTRUCTIONS
2x4 STANDARD FRAME
MQ-F24

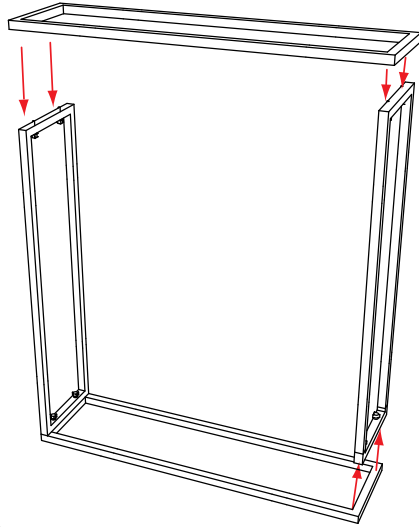
APPENDIX B

PARTS LIST:

#	LABEL	NAME
1	LVR1	LEFT VERTICAL RECTANGLE
1	RVR1	RIGHT VERTICAL RECTANGLE
1	BHR1	BOTTOM HORIZONTAL RECT.
2	CVH2	CENTER VERTICAL HALF
1	THR2	TOP HORIZONTAL RECTANGLE
4	GRN	1" THUMB SCREWS
8	RED	2" THUMB SCREWS
1	CT1246	COUNTER TOP FOR MQ-F22C

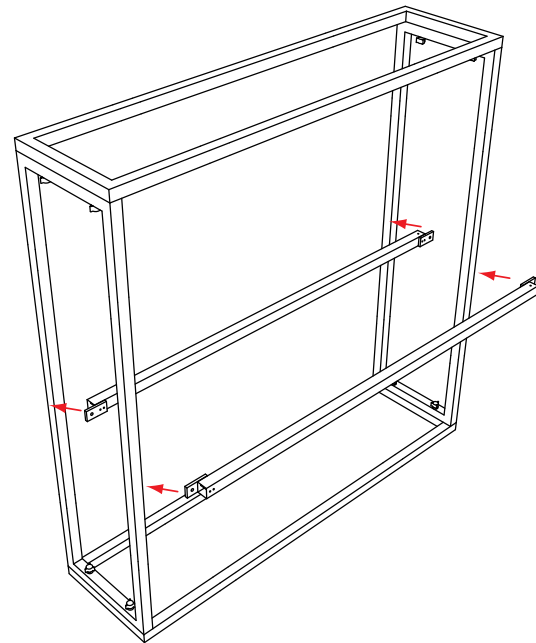
1st Step)

START WITH THE (LVR1) ON THE GROUND.
ATTACH THE (THR1), (BHR1), AND (RVR1)



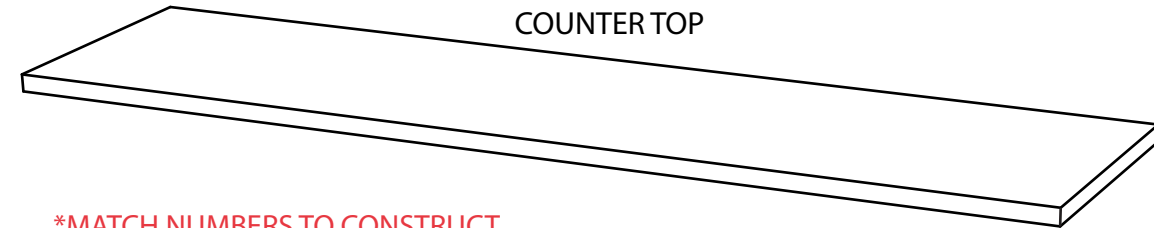
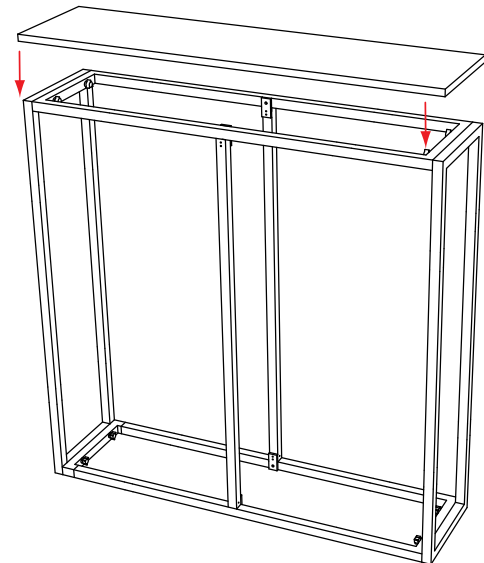
2nd Step)

ATTACH THE (2) CENTER VERTICLE (CVH2)

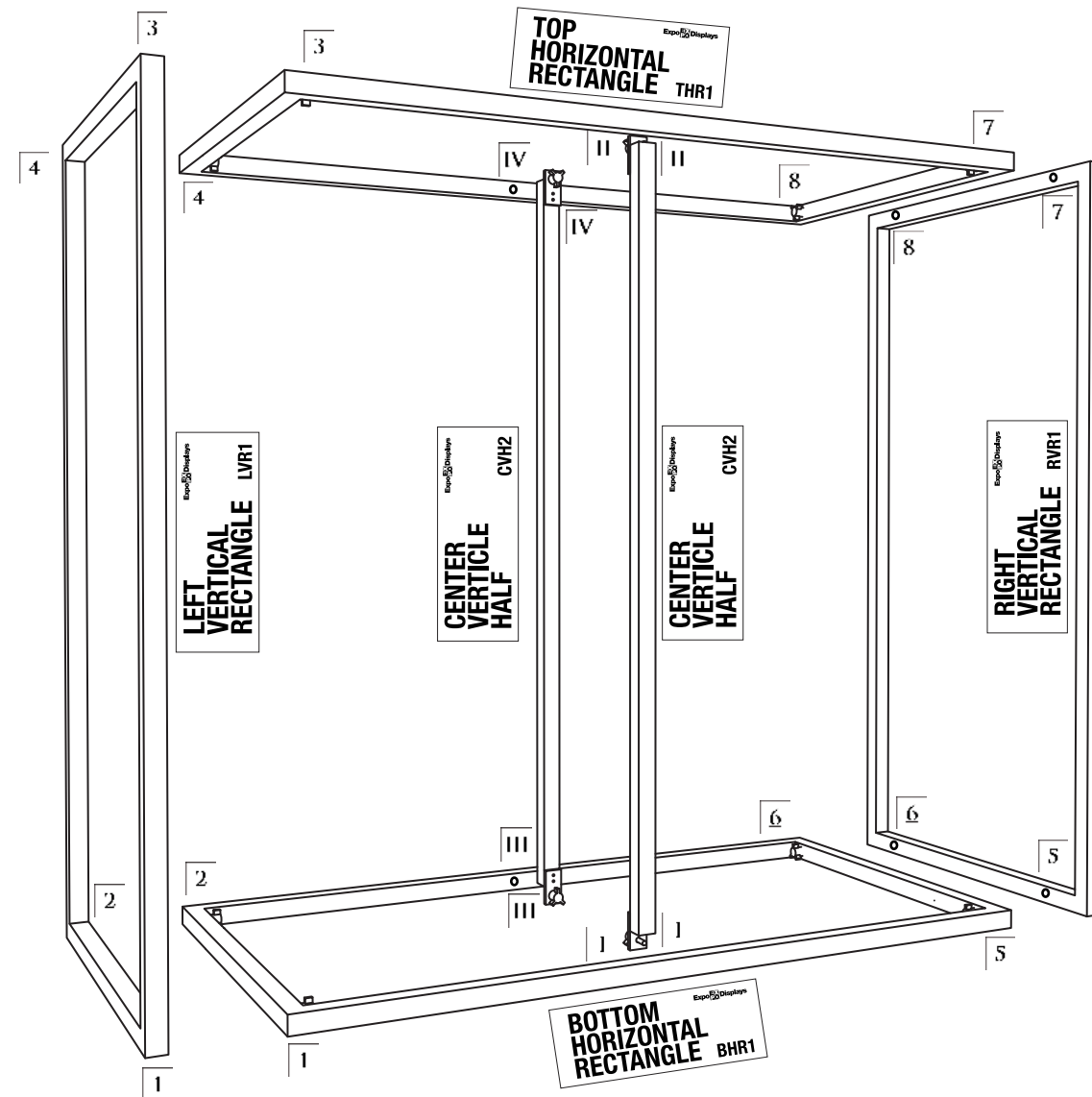


3rd Step)

STAND UPRIGHT AND PLACE COUNTER ON TOP



*MATCH NUMBERS TO CONSTRUCT.



Expo EX PO Displays
A Division of Diamond Displays International

3401 Mary Taylor Road
Birmingham, Alabama 35235
(205) 439-8200

Drawn By: AKHIII

THIS PART USED TO MAKE
MQ-F22C
2x2 STANDARD COUNTER

Sheet Title

**ASSEMBLY
INSTRUCTIONS
2x2 STANDARD
COUNTER
MQ-F22C**

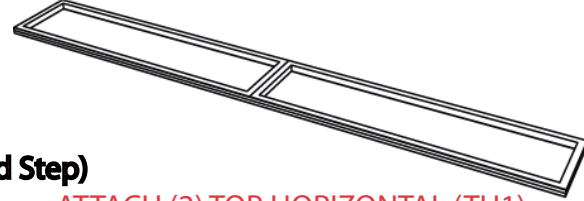
APPENDIX E

PARTS LIST:

#	LABEL	NAME
1	LVHX	LEFT VERTICAL HINGED
1	RVHX	RIGHT VERTICAL HINGED
2	BH1	BOTTOM HORIZONTAL
2	MH1	MIDDLE HORIZONTAL
2	TH1	TOP HORIZONTAL
1	CVH1	CENTER VERTICAL HINGED
20	GRN	1" THUMB SCREWS
4	RED	2" THUMB SCREWS

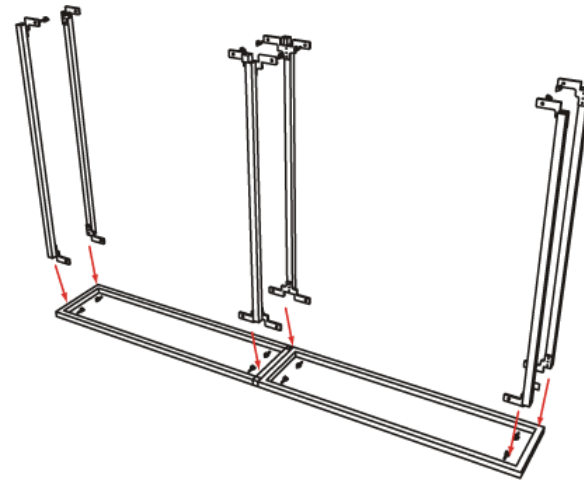
1st Step)

START WITH THE LEFT VERTICAL HINGE (LVH1) ON THE GROUND



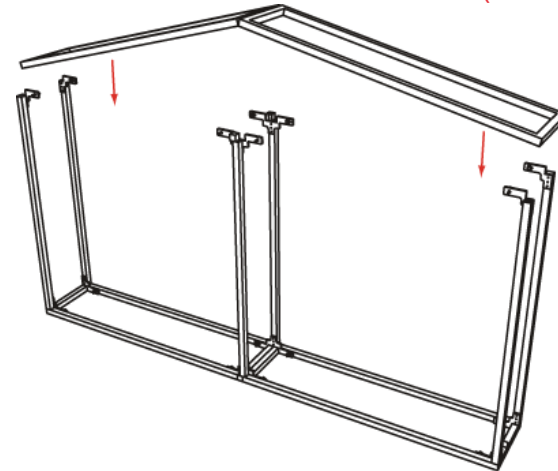
2nd Step)

ATTACH (2) TOP HORIZONTAL (TH1), (2) MIDDLE HORIZONTAL (MH1), (2) BOTTOM HORIZONTAL (BH1)



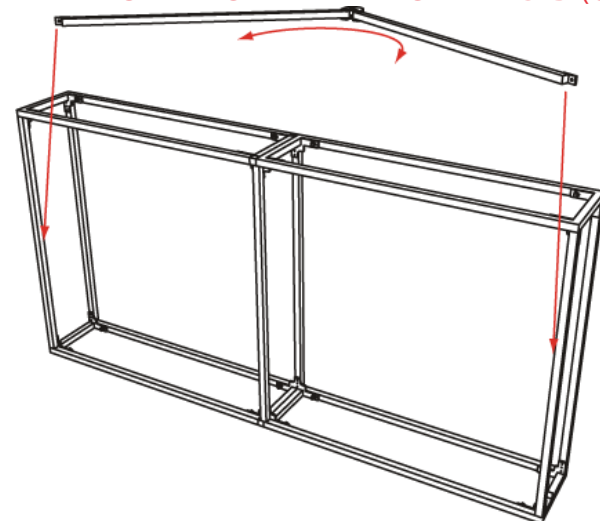
3rd Step)

ATTACH THE RIGHT HINGED SIDE (RVH1)

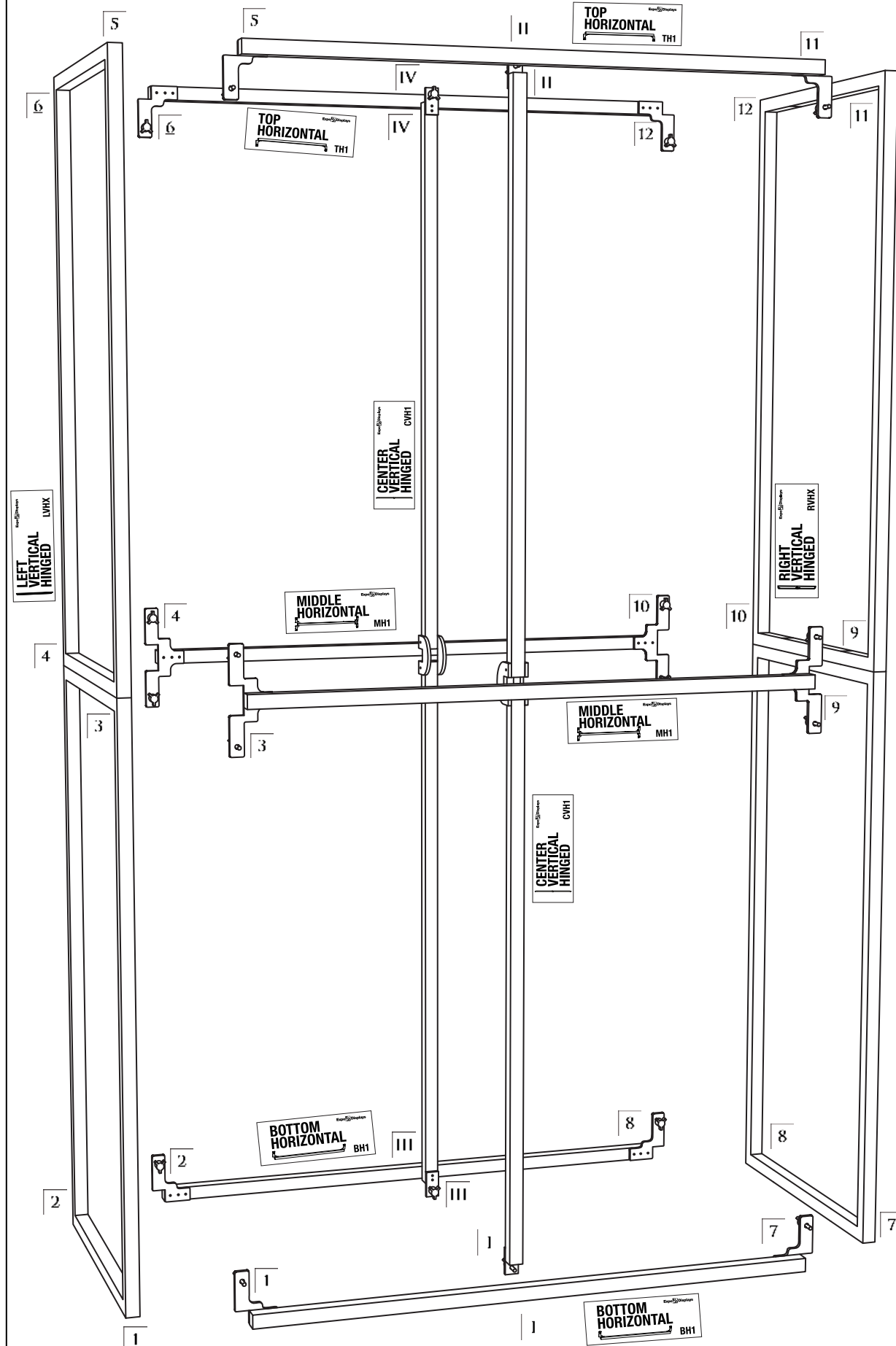


4th Step)

ATTACH THE CENTER VERTICAL HINGED (CVH1)



*MATCH NUMBERS TO CONSTRUCT.



THIS PART USED TO MAKE
MQX-F24
2x4 MAX FRAME

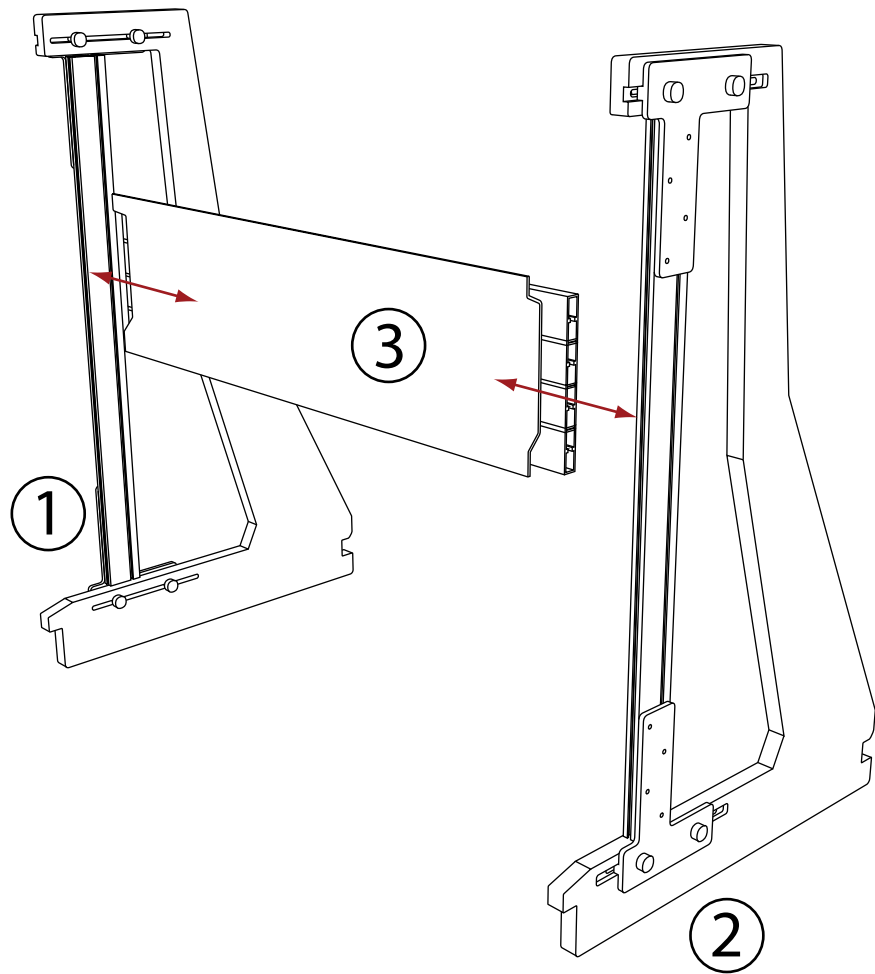
Sheet Title

ASSEMBLY INSTRUCTIONS
2x4 MAX FRAME MQX-F24

PARTS LIST:

#	LABEL	NAME
1	1	LEFT SIDE ASSEMBLY
1	2	RIGHT SIDE ASSEMBLY
1	3	CENTER ASSEMBLY

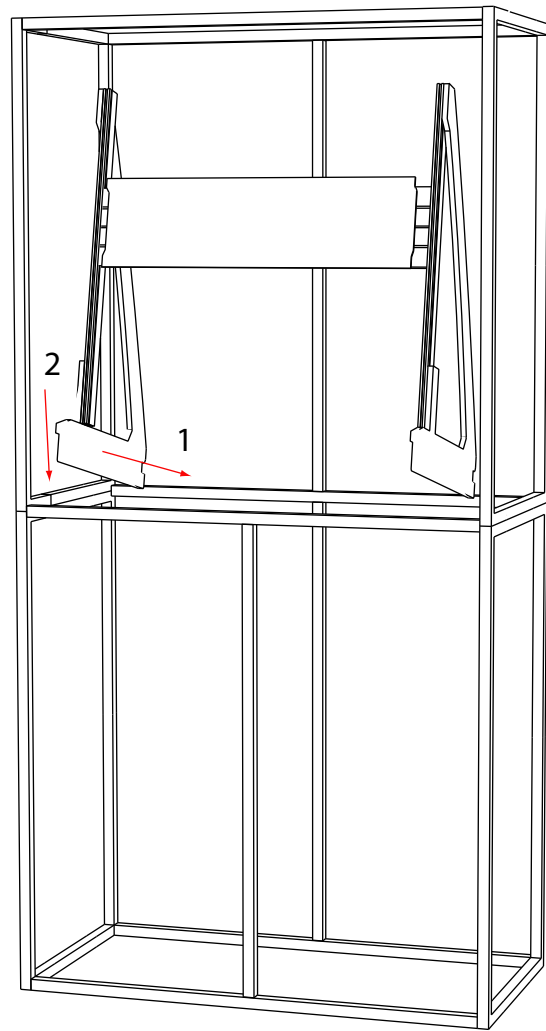
- ① LEFT SIDE ASSEMBLY (DO NOT DISASSEMBLE)
- ② RIGHT SIDE ASSEMBLY (DO NOT DISASSEMBLE)
- ③ CENTER ASSEMBLY (DO NOT DISASSEMBLE)



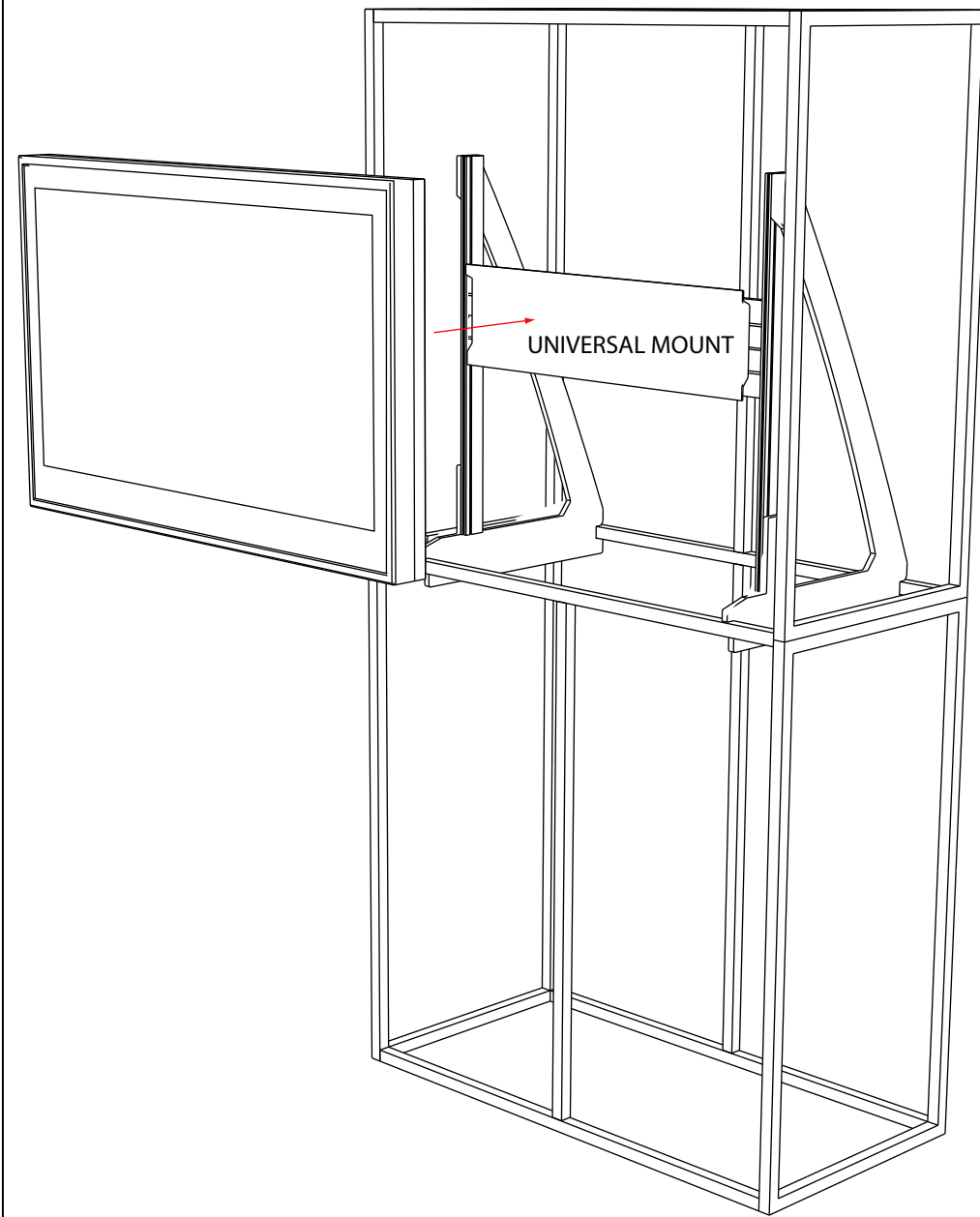
1st Step)
ATTACH AND LOCK UNIVERSAL MONITOR MOUNT TWO BOTH UPRIGHTS

***ALL CONNECTION POINTS ARE NUMERICALLY AND COLOR COORDINATED**

VERTICAL BAR (1) IS ADJUSTABLE FOR MONITOR DEPTH. IT CAN BE MOVED FORWARD OR BACK TO ACCOMMODATE ALL FLAT PANEL MONITORS.



2nd Step)
TAKE ASSEMBLED SPIDER MOUNT MAX AND SLIDE INTO FRAME. CLAMP THE BACK ONTO THE BACK CENTER BAR (1), THEN SLIDE FRONT DOWN UNTIL IT SETTLES (2).



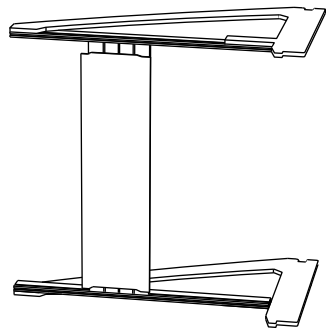
3rd Step)
THEN ATTACH MONITOR ON UNIVERSAL MOUNT.



Expo EX PO Displays
A Division of Diamond Displays International

3401 Mary Taylor Road
Birmingham, Alabama 35235
(205) 439-8200

Drawn By: AKHIII



Sheet Title

ASSEMBLY INSTRUCTIONS
MONITOR MOUNT
MQ-SM3Q

APPENDIX K