

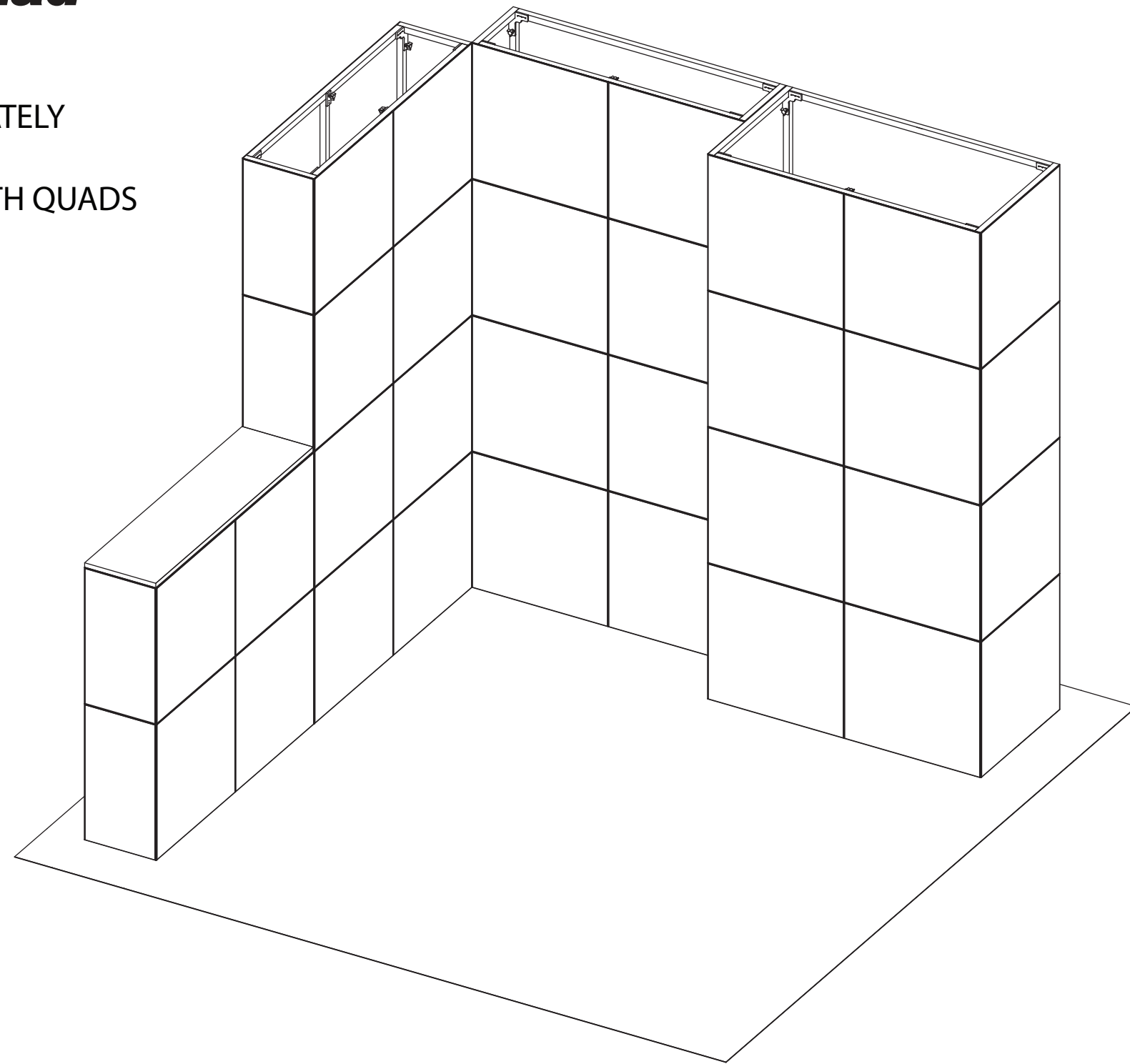
WHEN ASSEMBLING **EX PO MultiQuad**[®]

REMEMBER YOUR **ABC**'s...

ASSEMBLE EACH COMPONENT SEPARATELY

BUILD THE DESIRED LAYOUT

COVER YOUR MULTIQUAD LAYOUT WITH QUADS



EX PO MultiQuad[®]
An **ExpoDisplays** Product

MQ - K1030
10'x10' Custom MultiQuad



Expo EX PO Displays[®]
A Division of Diamond Displays International

3401 Mary Taylor Road
Birmingham, Alabama 35235
(205) 439-8200

Drawn By: SH

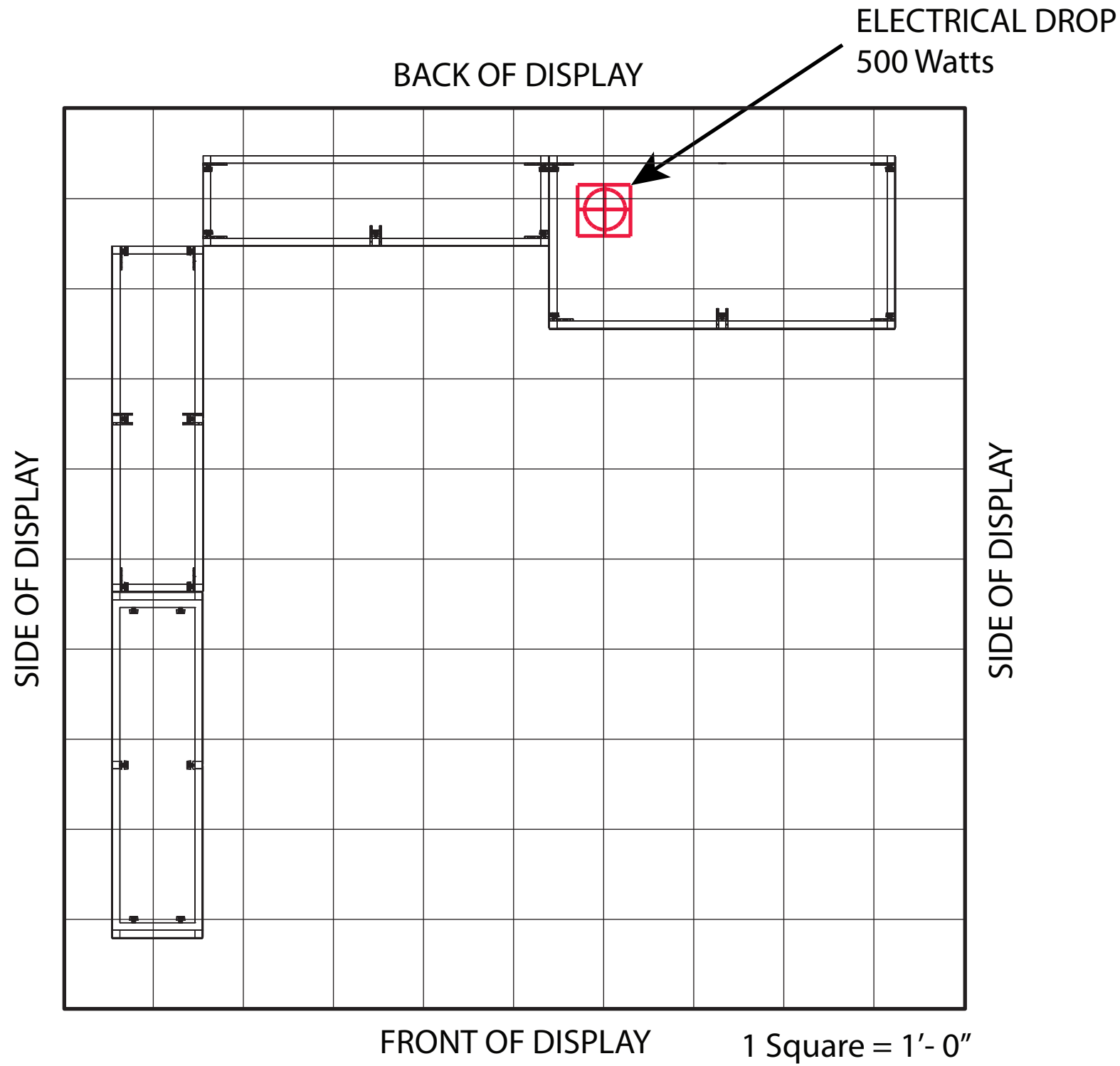
Project Title

MultiQuad[®]
An ExpoDisplays Product

MQ - K1030

Sheet Title

**ASSEMBLY
INSTRUCTIONS
COVER SHEET**



Expo EX PO Displays
A Division of Diamond Displays International

3401 Mary Taylor Road
Birmingham, Alabama 35235
(205) 439-8200

Drawn By: SH

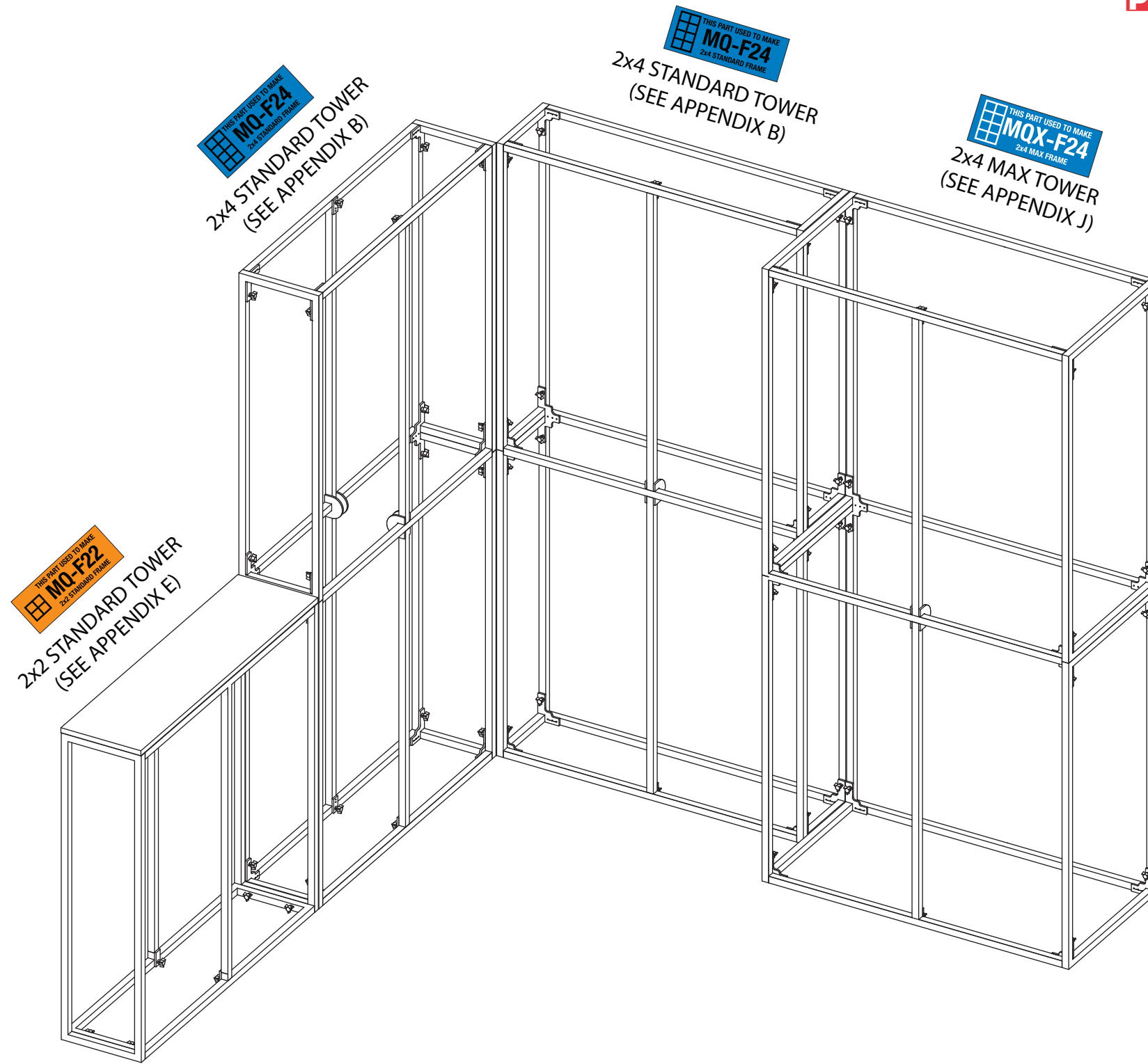
Project Title




MultiQuad
An ExpoDisplays Product

MQ - K1030

Sheet Title

**ASSEMBLY
INSTRUCTIONS
ELECTRICAL PLAN**



PARTS LIST:		
#	LABEL	NAME
1	 MQ-F22 2x2 STANDARD FRAME	2x2 STANDARD TOWER
2	 MQ-F24 2x4 STANDARD FRAME	2x4 STANDARD TOWER
1	 MQX-F24 2x4 MAX FRAME	2x4 MAX TOWER



Expo EX PO Displays
A Division of Diamond Displays International

3401 Mary Taylor Road
Birmingham, Alabama 35235
(205) 439-8200

Drawn By: SH

Project Title

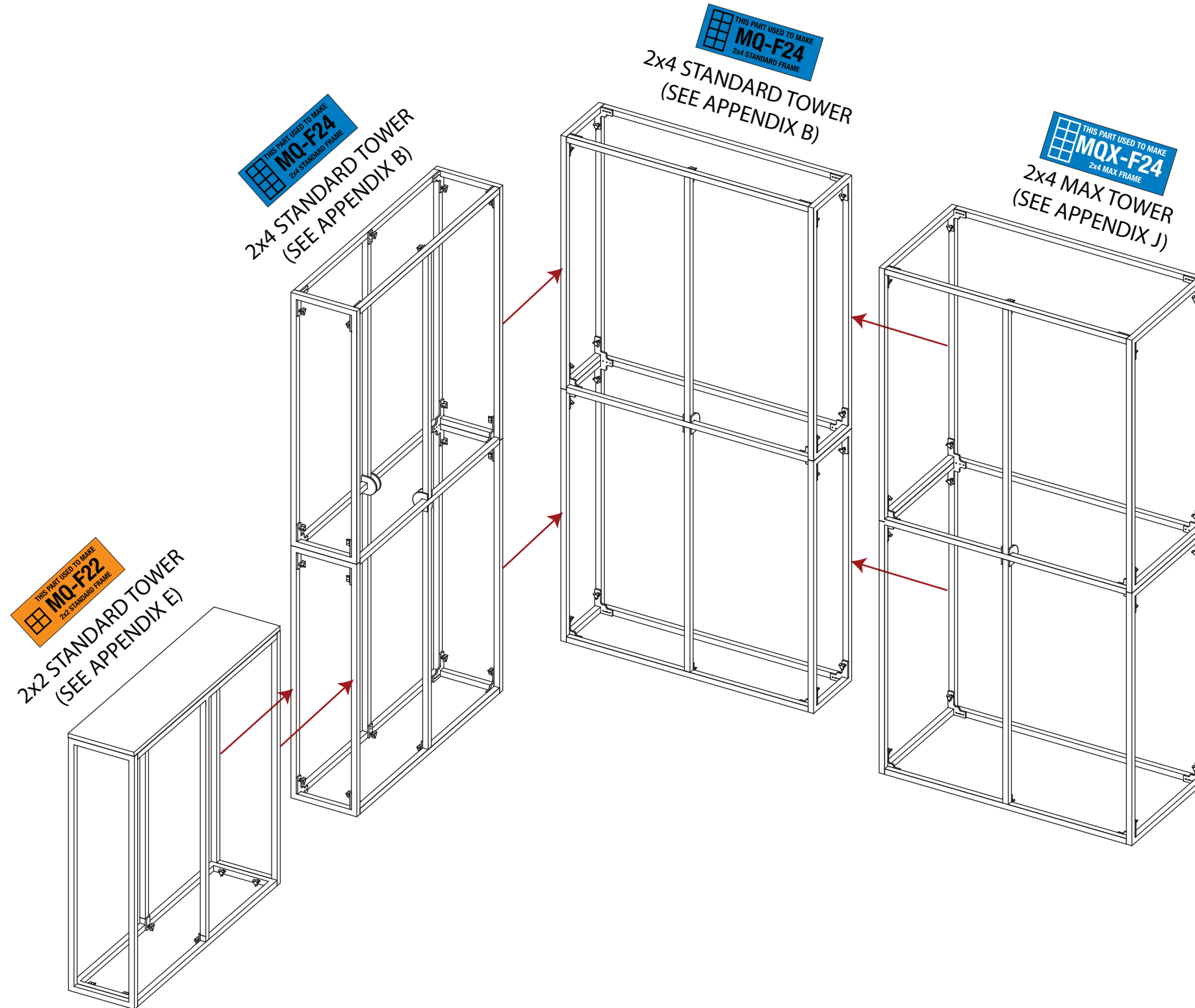
MultiQuad
An ExpoDisplays Product

MQ - K1030

Sheet Title

**ASSEMBLY
INSTRUCTIONS**
DESIRED LAYOUT

1. PLACE THE FAR LEFT TOWER INTO THE DESIRED LOCATION
2. SLIDE ADJACENT TOWER INTO PLACE AND ATTACH USING THE CORNER CONNECTORS AND RED THUMB SCREWS (SEE APPENDIX A)
3. REPEAT STEP 2 UNTIL ALL THE FRAMES ARE JOINED TOGETHER



Expo EXPO Displays
A Division of Diamond Displays International

3401 Mary Taylor Road
Birmingham, Alabama 35235
(205) 439-8200

Drawn By: SH

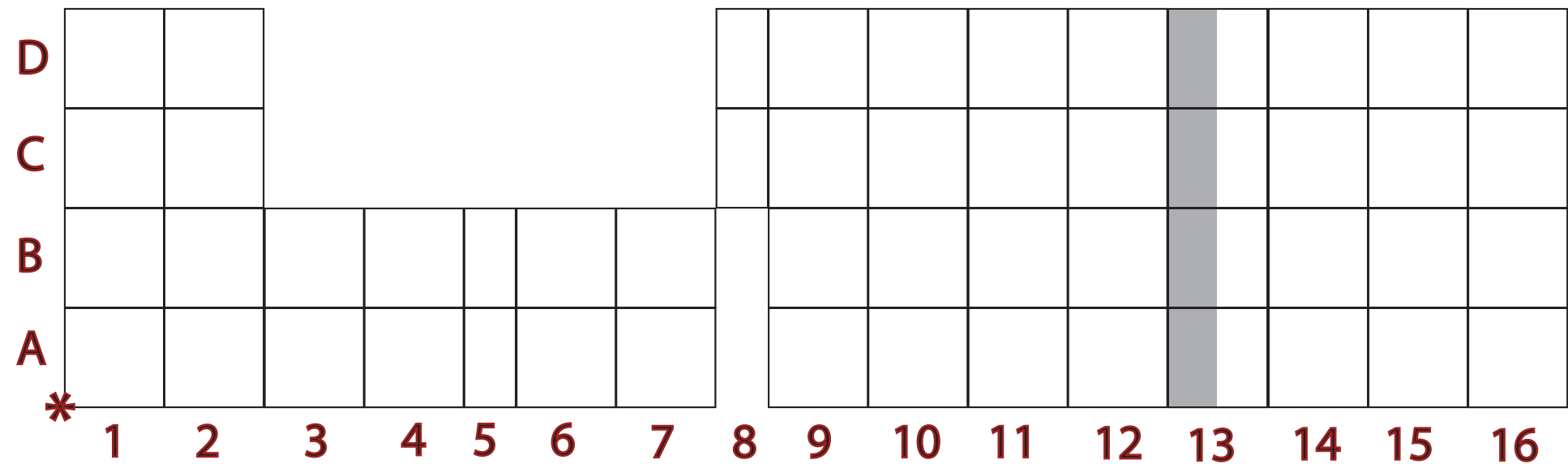
Project Title

EXPO MultiQuad
An ExpoDisplays Product

MQ - K1030

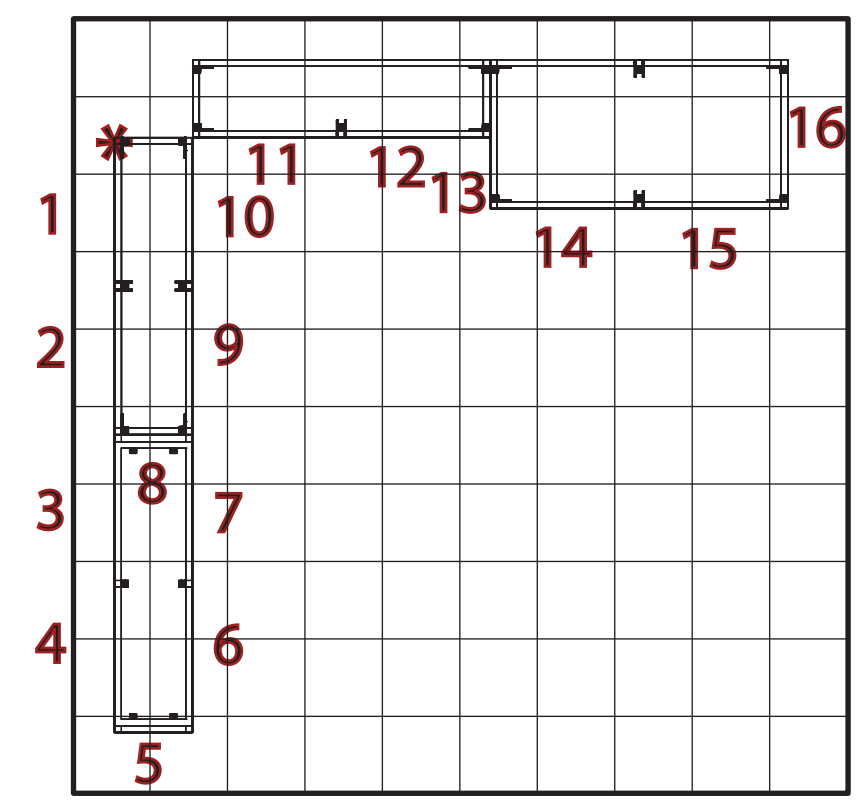
Sheet Title

**ASSEMBLY
INSTRUCTIONS
EXPLODED LAYOUT**



MAIN WALL FLATTEN ELEVATION

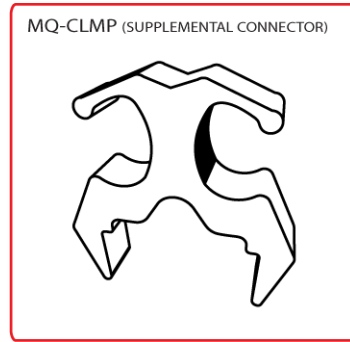
PARTS LIST:		
#	SIZE	NAME
72	23x23	STANDARD QUAD
20	12x23	SIDE QUAD
1	46x92	BACK-LIT GRAPHIC
1	46x46	BACK-LIT GRAPHIC



* = ORIGIN

Plan View

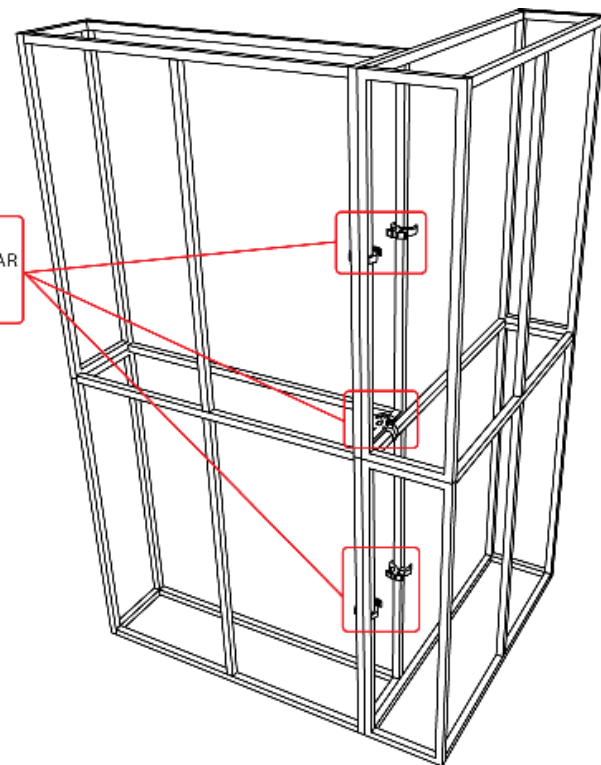
MQ-CLMP SUPPLEMENTAL CONNECTOR INSTRUCTIONS



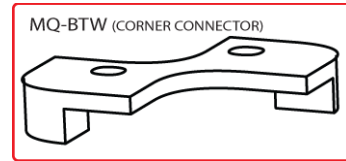
THE MQ-CLMP SUPPLEMENTAL CONNECTOR IS A FRICTION-FIT (SLIDES ON) CONNECTOR DESIGNED FOR USE IN ABNORMAL MULTIQUAD FRAME CONFIGURATIONS, OR AS ADDITIONAL FRAME SECURITY IN SPECIAL SITUATIONS.

THE MQ-CLMP SIMPLY SLIDES OVER THE MULTIQUAD FRAME WHERE NEEDED.

HERE THEY ARE USED TO SECURE A PERPENDICULAR FRAME-TO-FRAME CONFIGURATION

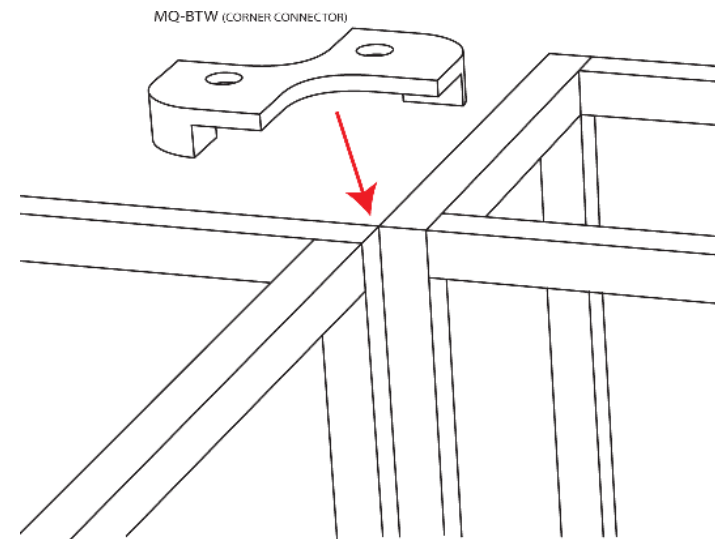


MQ-BTW CORNER CONNECTOR INSTRUCTIONS

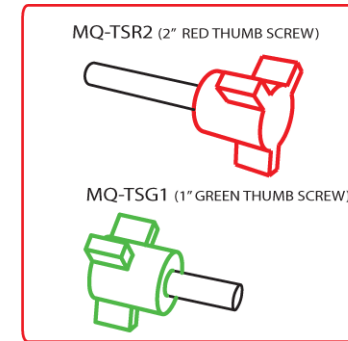


THE MQ-BTW CORNER CONNECTOR IS DESIGNED TO SUPPLEMENT THE "CORNER-TO-CORNER" CONNECTION NEEDED IN SOME MULTIQUAD CONFIGURATIONS. THE MQ-BTW IS MOST EFFECTIVE ON THE TOP OF THE FRAMES, BUT CAN BE USED ON THE BOTTOM ALSO.

AFTER THE TWO MULTIQUAD FRAMES ARE SET "CORNER-TO-CORNER" THE MQ-BTW SIMPLY SLIDES OVER THE CORNER AND SETTLES INTO PLACE. THIS WILL FURTHER SECURE THE MULTIQUAD FRAME.



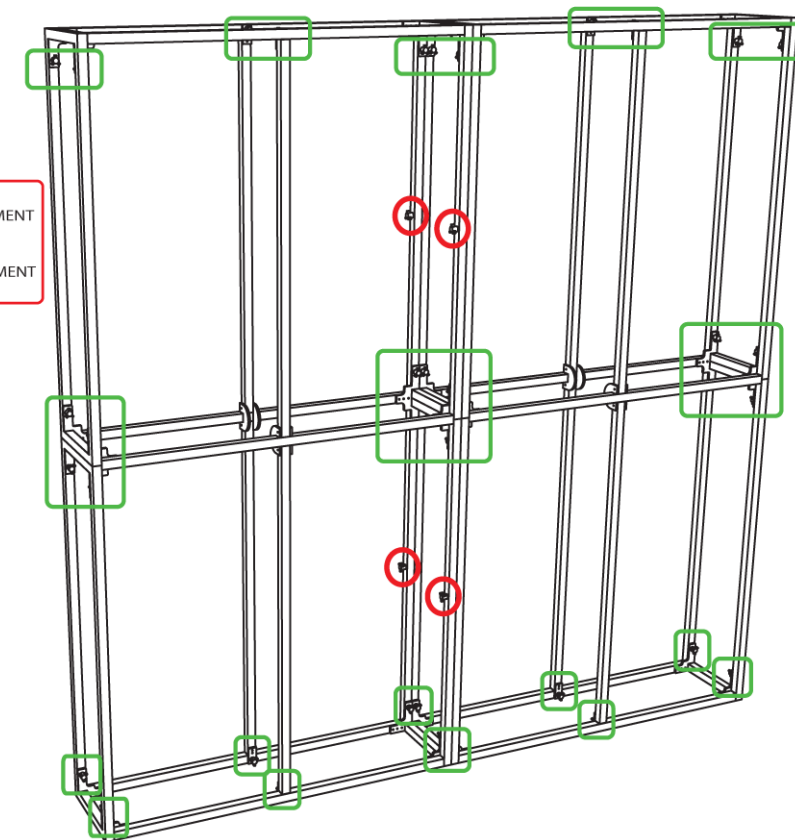
MQ-TSR2 / MQ-TSG1 THUMB SCREW INSTRUCTION



THE MQ-TSR2 IS A 2" RED THUMB SCREW. IT IS USED TO CONNECT MULTIQUAD FRAMES INTO AN INLINE CONFIGURATION. MULTIQUAD FRAMES HAVE A LEFT AND RIGHT SIDE AFTER CONSTRUCTION. THESE SCREWS PASS THROUGH ONE FRAME AND SCREW INTO THE OTHER FRAME.

THE MQ-TSG1 IS A 1" GREEN THUMB SCREW. IT IS USED TO BUILD ALL MULTIQUAD FRAMES.

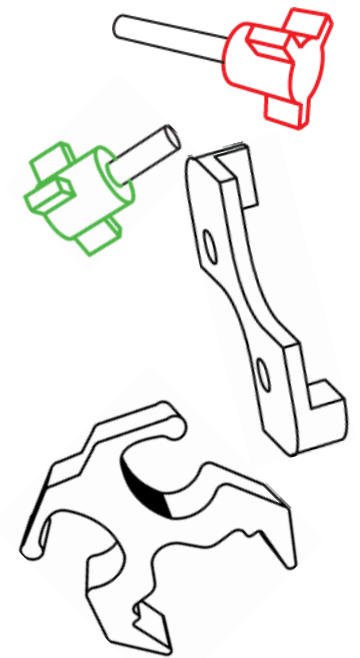
- = MQ-TSR2 PLACEMENT
- = MQ-TSG1 PLACEMENT



Expo EX PO Displays
A Division of Diamond Displays International

3401 Mary Taylor Road
Birmingham, Alabama 35235
(205) 439-8200

Drawn By: AKHIII



Sheet Title

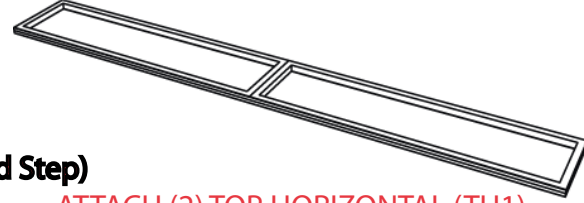
**ASSEMBLY
INSTRUCTIONS
CONNECTORS**

PARTS LIST:

#	LABEL	NAME
1	LVH1	LEFT VERTICAL HINGED
1	RVH1	RIGHT VERTICAL HINGED
2	BH1	BOTTOM HORIZONTAL
2	MH1	MIDDLE HORIZONTAL
2	TH1	TOP HORIZONTAL
2	CVH1	CENTER VERTICAL HINGED
18	GRN	1" THUMB SCREWS
4	RED	2" THUMB SCREWS

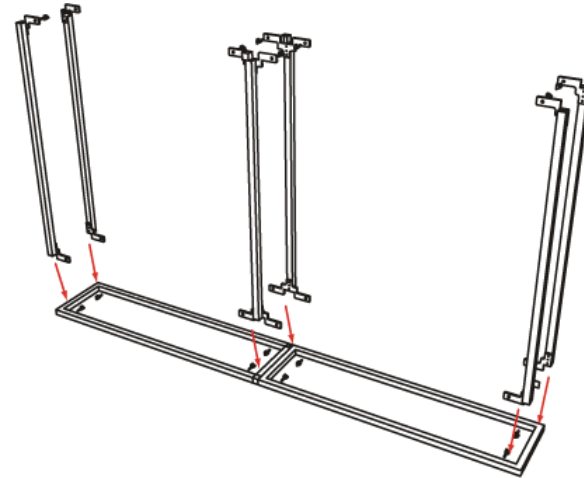
1st Step)

START WITH THE LEFT VERTICAL HINGE (LVH1) ON THE GROUND



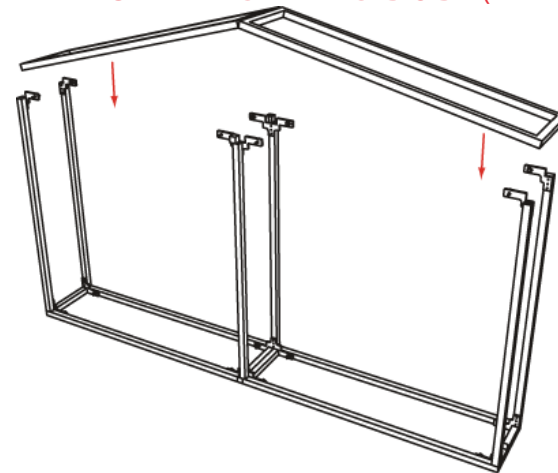
2nd Step)

ATTACH (2) TOP HORIZONTAL (TH1), (2) MIDDLE HORIZONTAL (MH1), (2) BOTTOM HORIZONTAL (BH1)



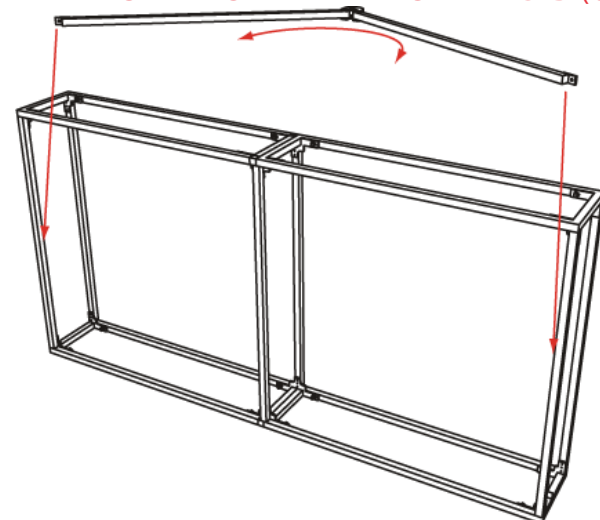
3rd Step)

ATTACH THE RIGHT HINGED SIDE (RVH1)

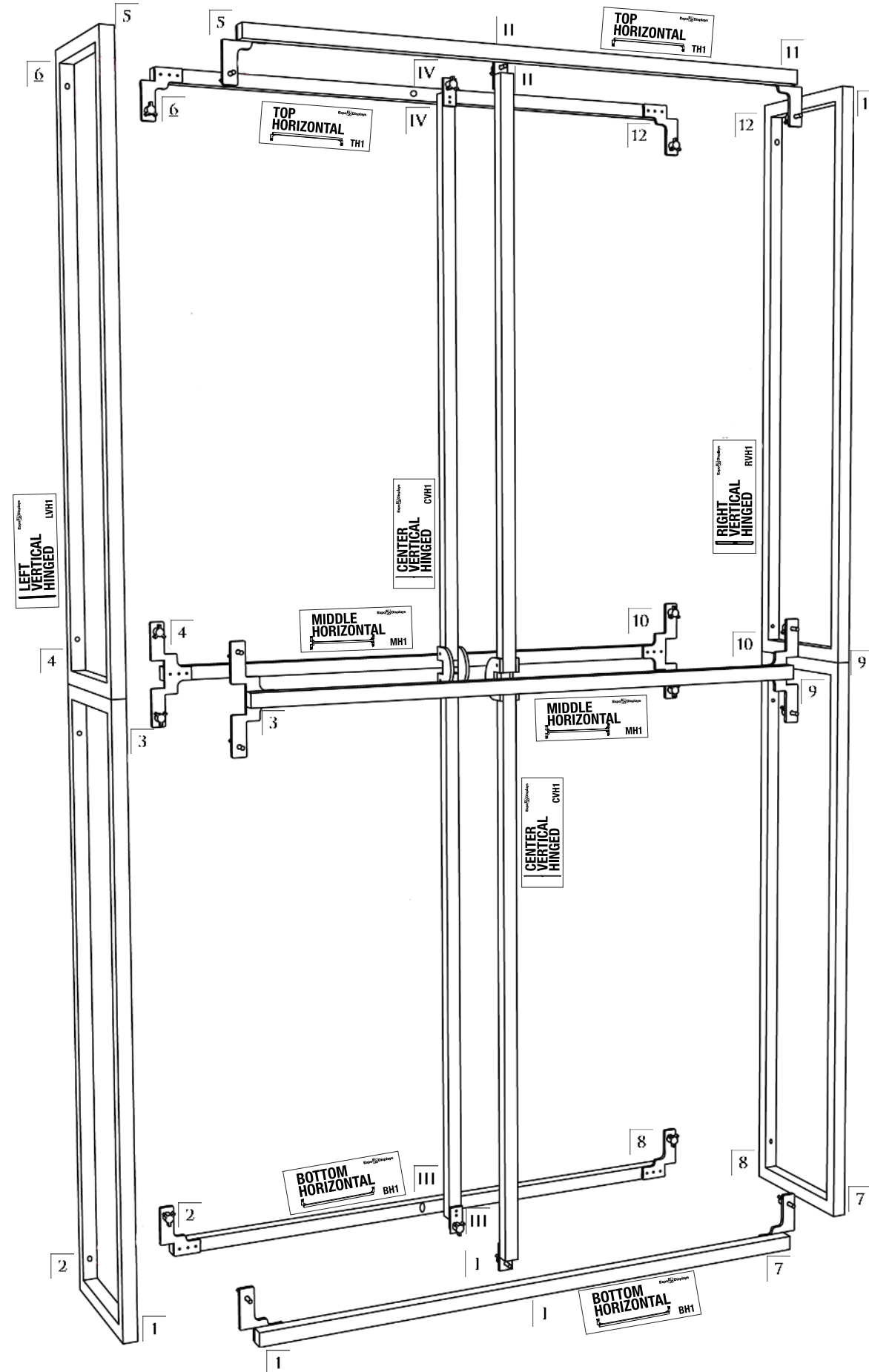


4th Step)

ATTACH THE CENTER VERTICAL HINGED (CVH1)



*MATCH NUMBERS TO CONSTRUCT.

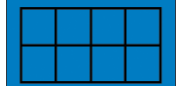


Expo EX PO Displays
A Division of Diamond Displays International

3401 Mary Taylor Road
Birmingham, Alabama 35235
(205) 439-8200

Drawn By: AKHIII

THIS PART USED TO MAKE
MQ-F24
2x4 STANDARD FRAME



Sheet Title

ASSEMBLY INSTRUCTIONS
2x4 STANDARD FRAME
MQ-F24

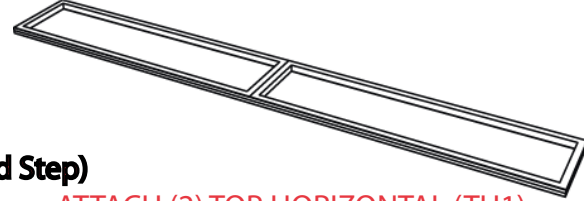
APPENDIX B

PARTS LIST:

#	LABEL	NAME
1	LVHX	LEFT VERTICAL HINGED
1	RVHX	RIGHT VERTICAL HINGED
2	BH1	BOTTOM HORIZONTAL
2	MH1	MIDDLE HORIZONTAL
2	TH1	TOP HORIZONTAL
1	CVH1	CENTER VERTICAL HINGED
18	GRN	1" THUMB SCREWS
4	RED	2" THUMB SCREWS

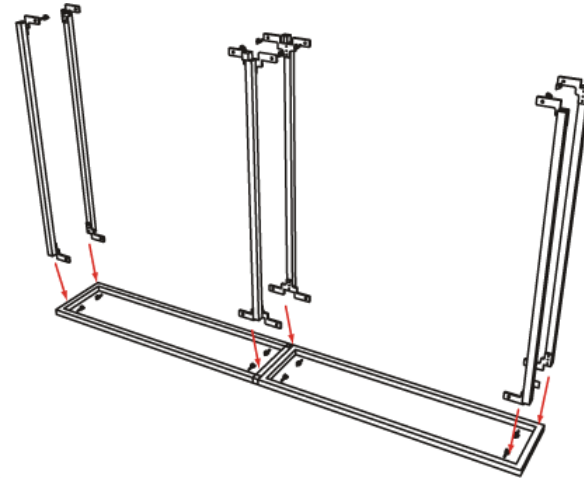
1st Step)

START WITH THE LEFT VERTICAL HINGE (LVH1)
ON THE GROUND



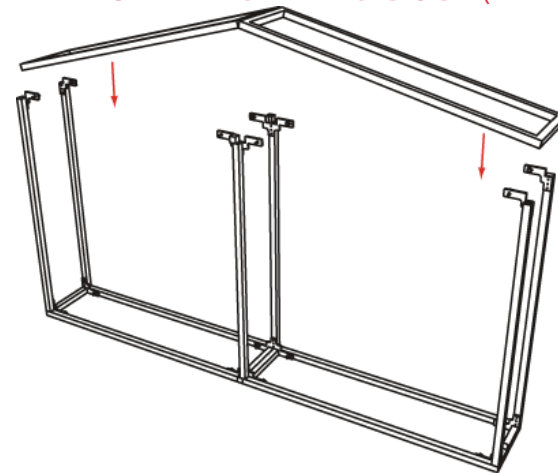
2nd Step)

ATTACH (2) TOP HORIZONTAL (TH1),
(2) MIDDLE HORIZONTAL (MH1),
(2) BOTTOM HORIZONTAL (BH1)



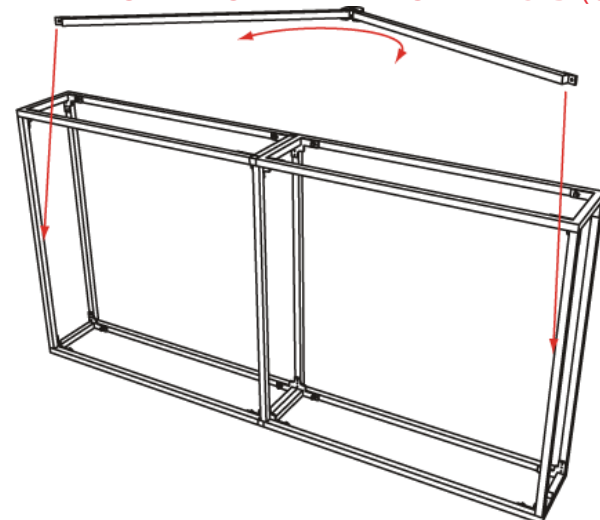
3rd Step)

ATTACH THE RIGHT HINGED SIDE (RVH1)

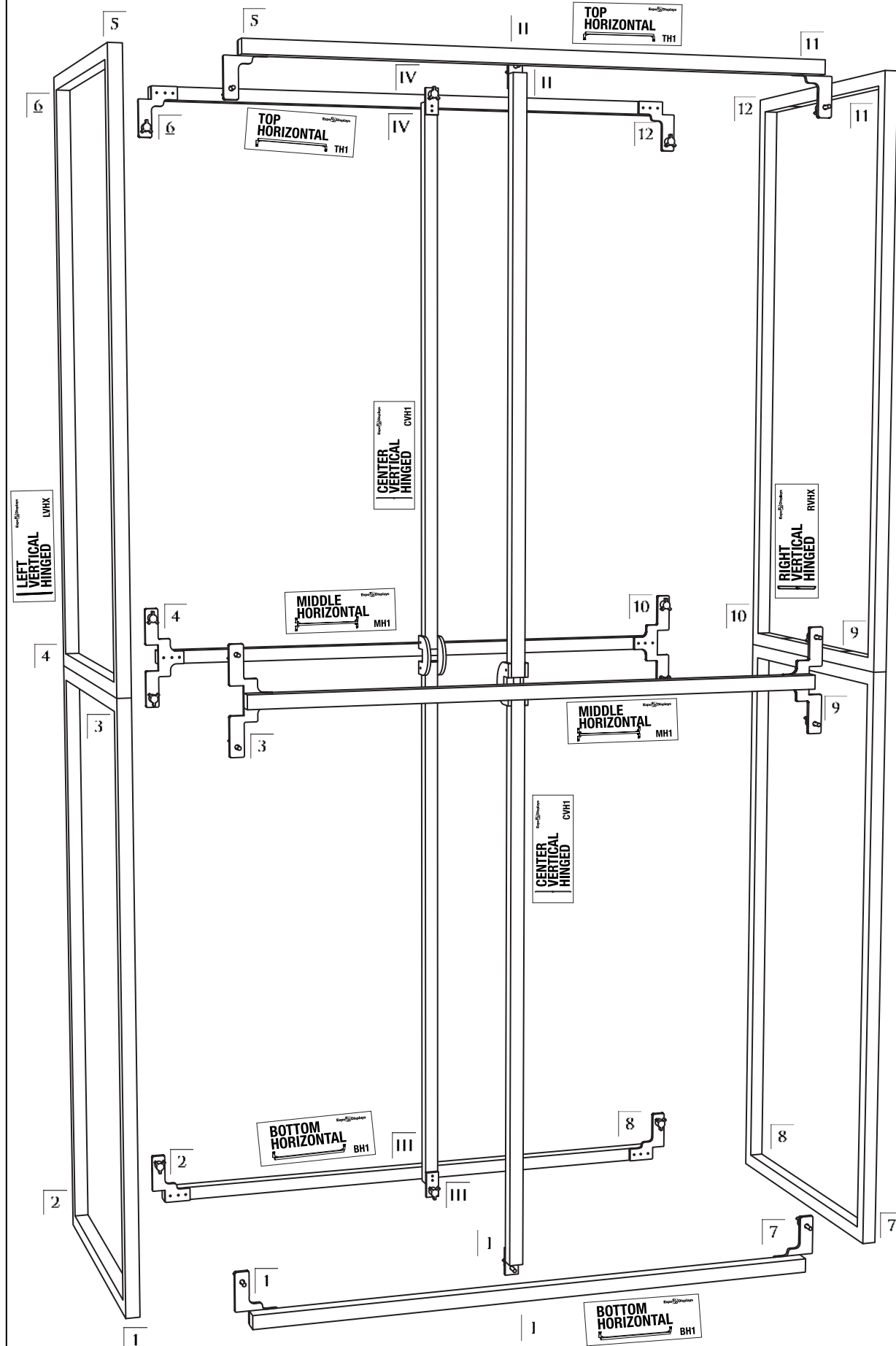


4th Step)

ATTACH THE CENTER VERTICAL HINGED (CVH1)



*MATCH NUMBERS TO CONSTRUCT.



Expo EXPO Displays
A Division of Diamond Displays International

3401 Mary Taylor Road
Birmingham, Alabama 35235
(205) 439-8200

Drawn By: AKHIII

THIS PART USED TO MAKE
MQX-F24
2x4 MAX FRAME

Sheet Title

**ASSEMBLY
INSTRUCTIONS**
**2x4 MAX FRAME
MQX-F24**

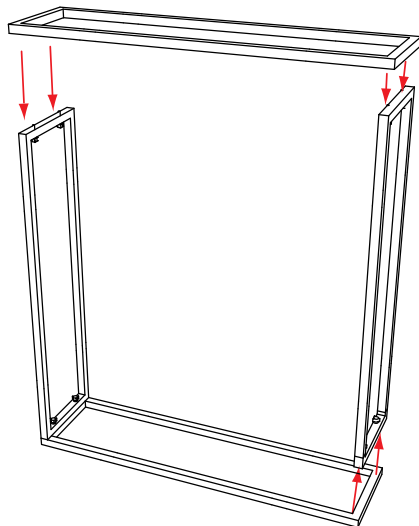
APPENDIX J

PARTS LIST:

#	LABEL	NAME
1	LVR1	LEFT VERTICAL RECTANGLE
1	RVR1	RIGHT VERTICAL RECTANGLE
1	BHR1	BOTTOM HORIZONTAL RECT.
2	CVH2	CENTER VERTICAL HALF
1	THR2	TOP HORIZONTAL RECTANGLE
4	GRN	1" THUMB SCREWS
8	RED	2" THUMB SCREWS
1	CT1246	COUNTER TOP FOR MQ-F22C

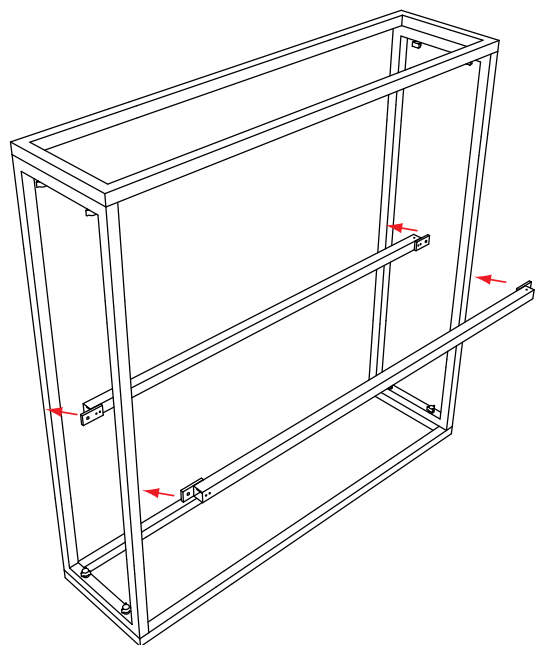
1st Step)

START WITH THE (LVR1) ON THE GROUND. ATTACH THE (THR1), (BHR1), AND (RVR1)



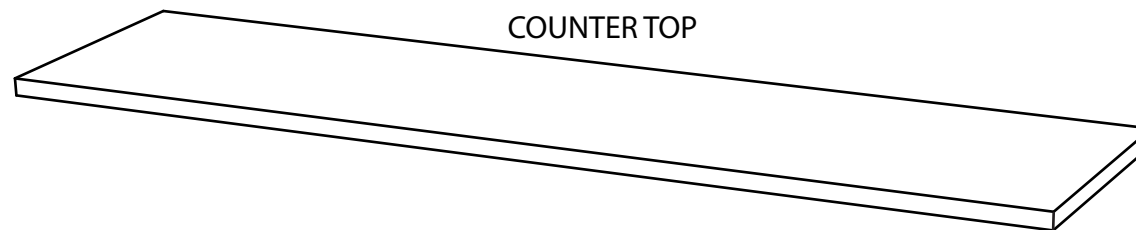
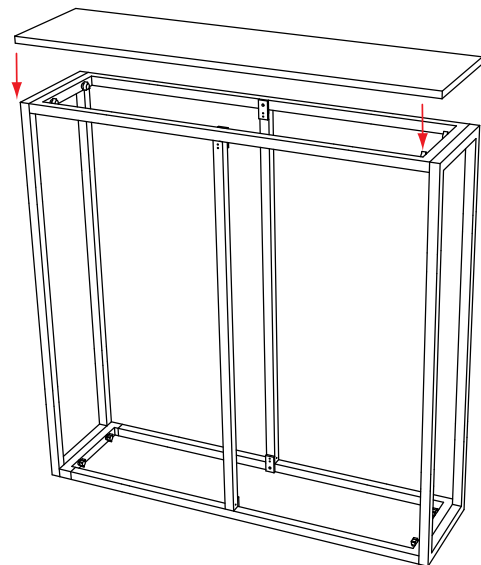
2nd Step)

ATTACH THE (2) CENTER VERTICLE (CVH2)

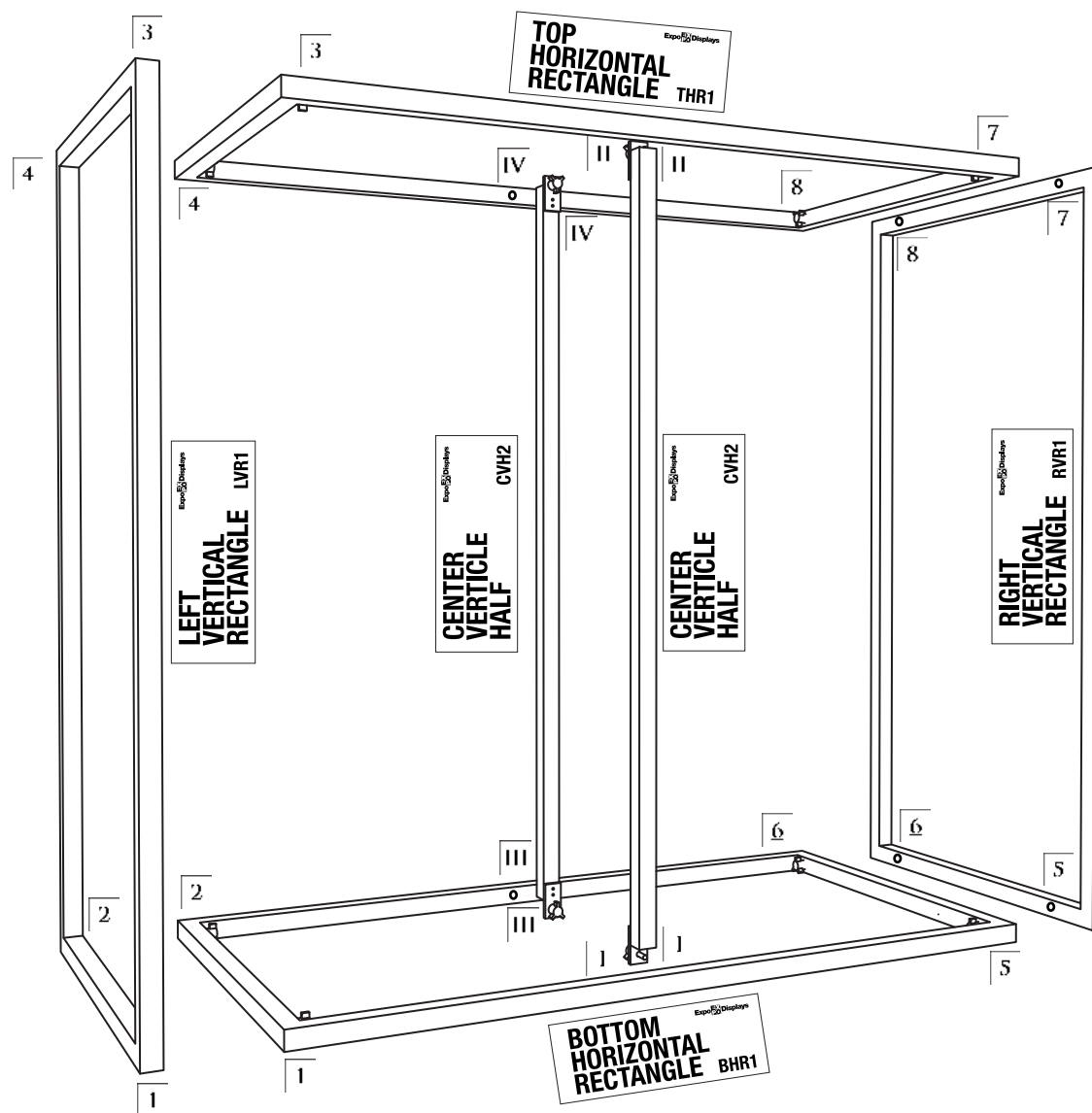


3rd Step)

STAND UPRIGHT AND PLACE COUNTER ON TOP



*MATCH NUMBERS TO CONSTRUCT.



Expo EX PO Displays
A Division of Diamond Displays International

3401 Mary Taylor Road
Birmingham, Alabama 35235
(205) 439-8200

Drawn By: AKHIII

THIS PART USED TO MAKE
MQ-F22C
2x2 STANDARD COUNTER

Sheet Title

**ASSEMBLY
INSTRUCTIONS
2x2 STANDARD
COUNTER
MQ-F22C**

APPENDIX E