

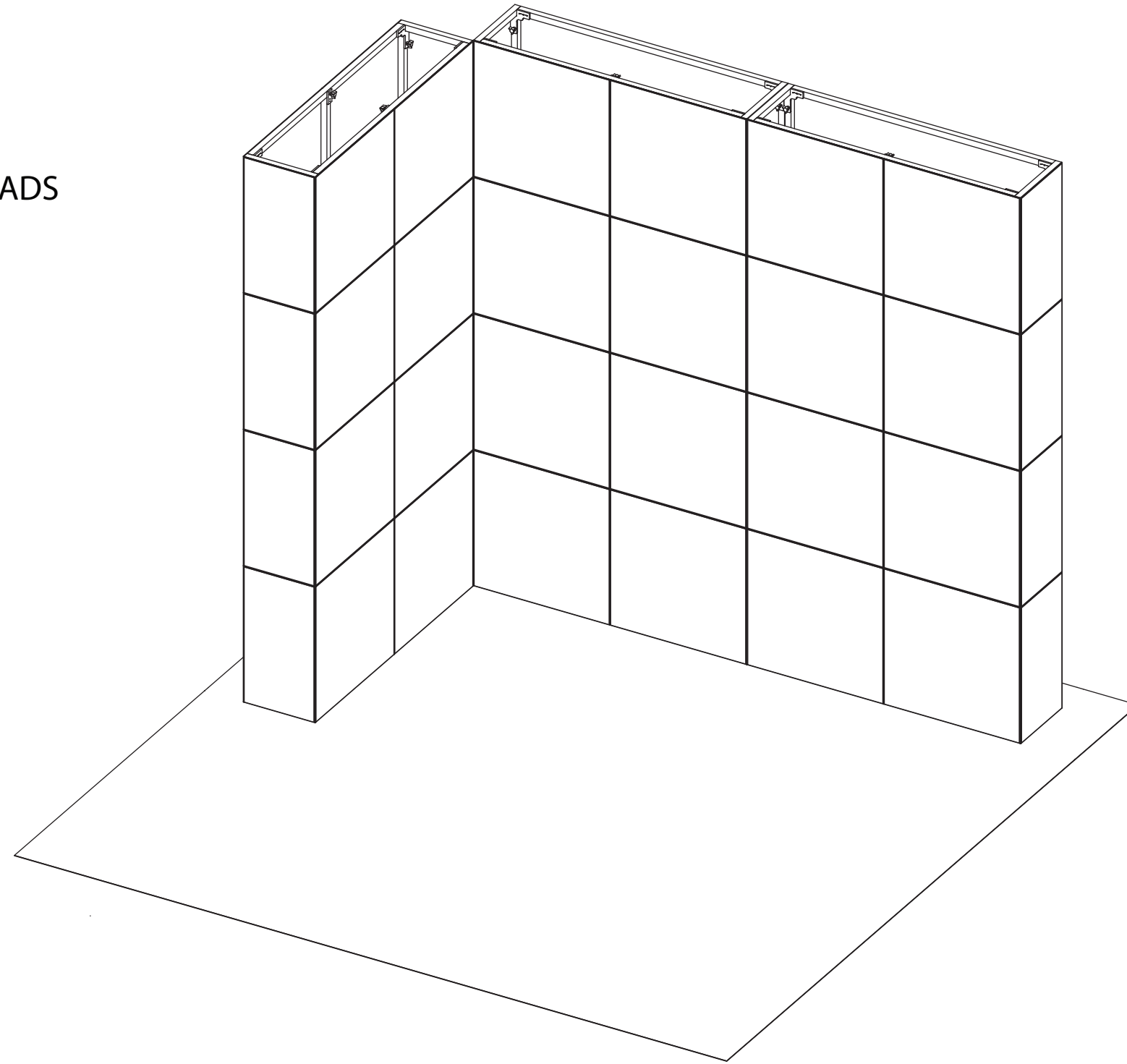
WHEN ASSEMBLING **EX PO MultiQuad**<sup>®</sup>

REMEMBER YOUR **ABC**'s...

**A**SSEMBLE EACH COMPONENT SEPARATELY

**B**UILD THE DESIRED LAYOUT

**C**OVER YOUR MULTIQUAD LAYOUT WITH QUADS



**EX PO MultiQuad**<sup>®</sup>  
An **ExpoDisplays** Product

**MQ - K1000**  
10'x10' Custom MultiQuad



**Expo EX PO Displays**<sup>®</sup>  
A Division of Diamond Displays International

3401 Mary Taylor Road  
Birmingham, Alabama 35235  
(205) 439-8200

Drawn By: SH

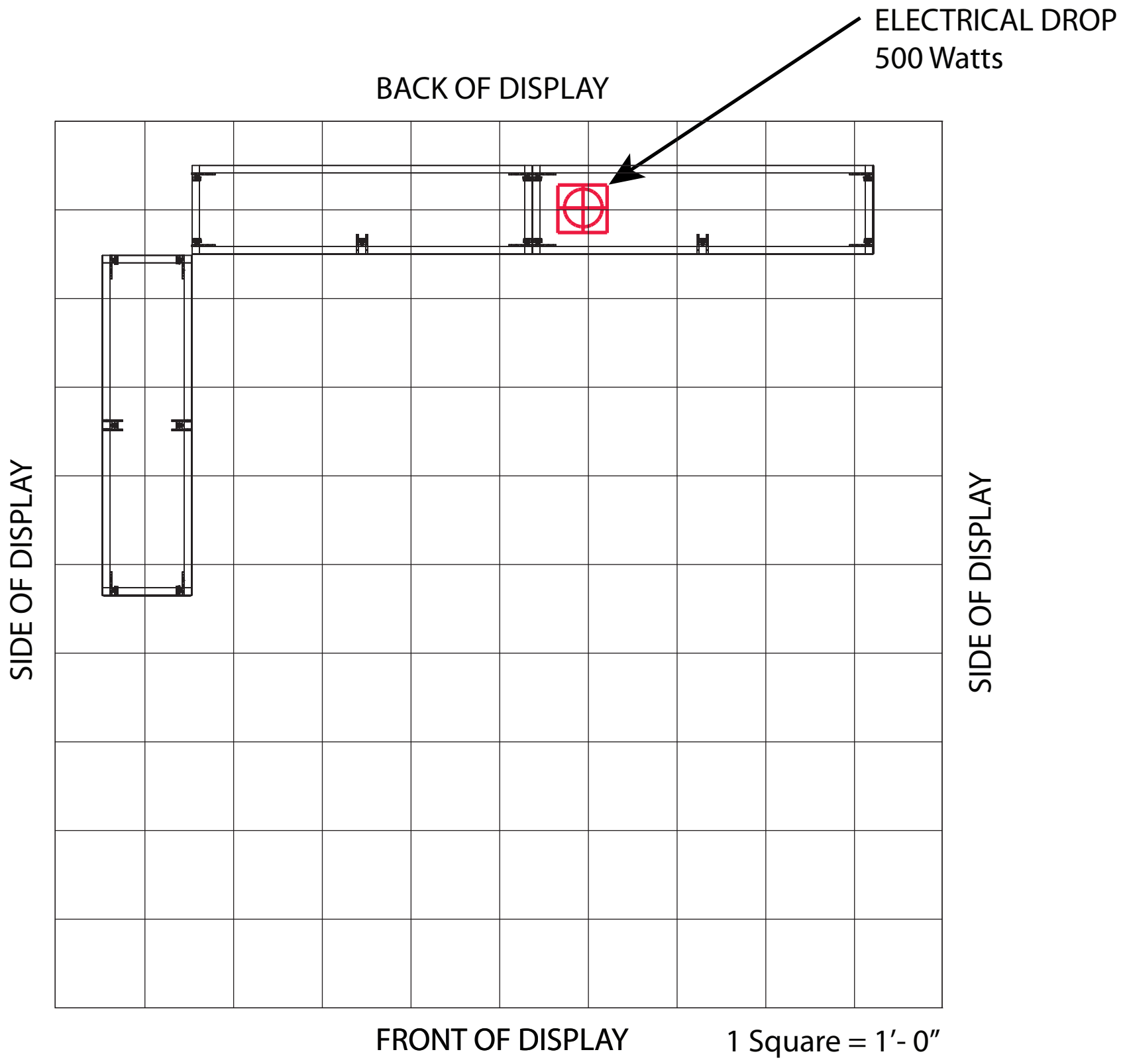
Project Title

**EX PO MultiQuad**<sup>®</sup>  
An ExpoDisplays Product

**MQ - K1000**

Sheet Title

**ASSEMBLY  
INSTRUCTIONS  
COVER SHEET**



MAIN ELECTRICAL DROP



**Expo EX PO Displays**  
A Division of Diamond Displays International

3401 Mary Taylor Road  
Birmingham, Alabama 35235  
(205) 439-8200

Drawn By: SH

Project Title

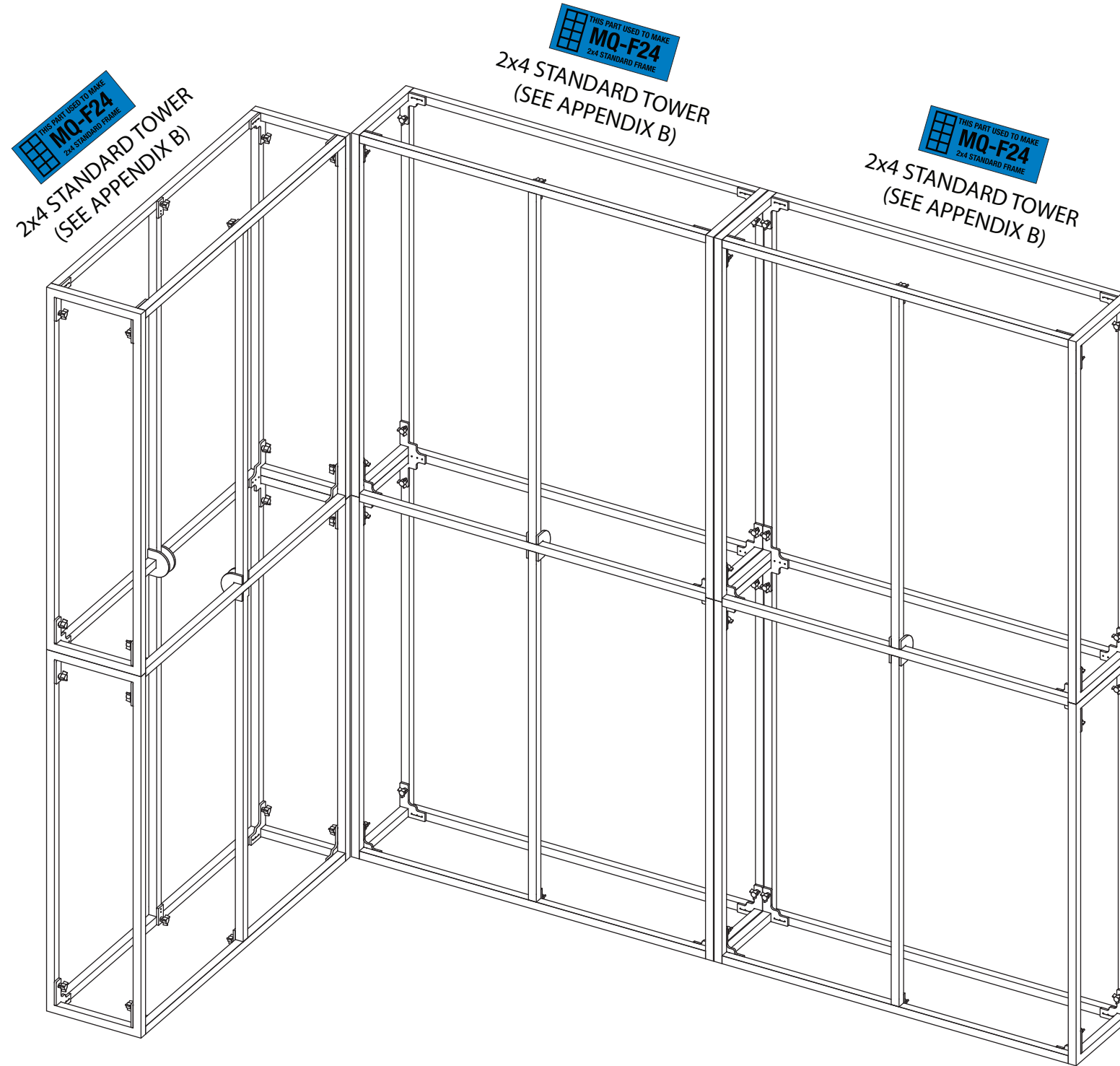
**MultiQuad**  
An ExpoDisplays Product

**MQ - K1000**


Sheet Title

**ASSEMBLY  
INSTRUCTIONS**

**ELECTRICAL PLAN**



**PARTS LIST:**

#	LABEL	NAME
3	 MQ-F24 2x4 STANDARD FRAME	2x4 STANDARD TOWER



**Expo EXPO Displays**  
A Division of Diamond Displays International

3401 Mary Taylor Road  
Birmingham, Alabama 35235  
(205) 439-8200

Drawn By: SH

Project Title

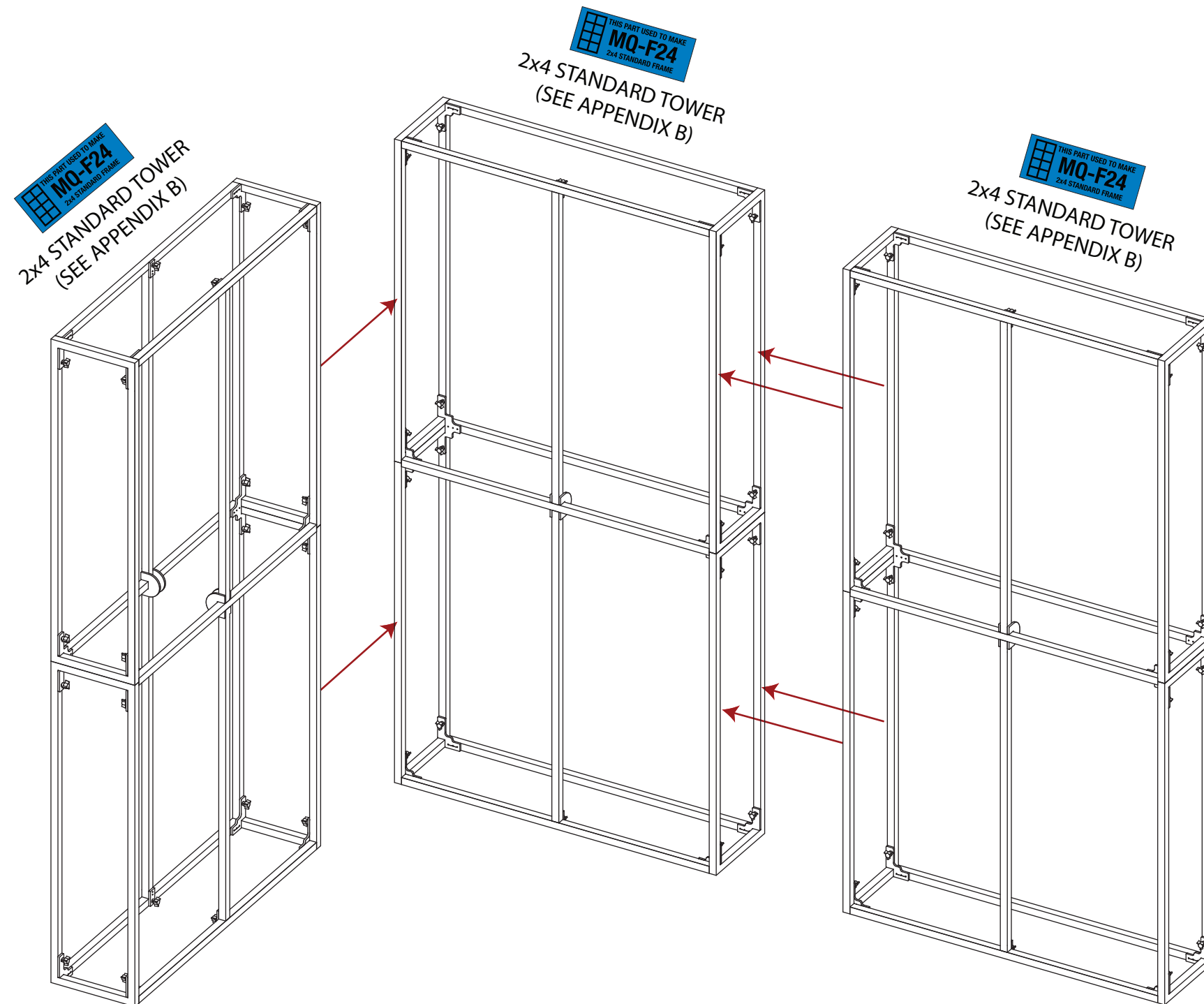
**MultiQuad**  
An ExpoDisplays Product

**MQ - K1000**

Sheet Title

**ASSEMBLY  
INSTRUCTIONS  
DESIRED LAYOUT**

1. PLACE THE FAR LEFT TOWER INTO THE DESIRED LOCATION
2. SLIDE ADJACENT TOWER INTO PLACE AND ATTACH USING THE CORNER CONNECTORS AND RED THUMB SCREWS (SEE APPENDIX A)
3. REPEAT STEP 2 UNTIL ALL THE FRAMES ARE JOINED TOGETHER



**Expo EX PO Displays**  
A Division of Diamond Displays International

3401 Mary Taylor Road  
Birmingham, Alabama 35235  
(205) 439-8200

Drawn By: SH

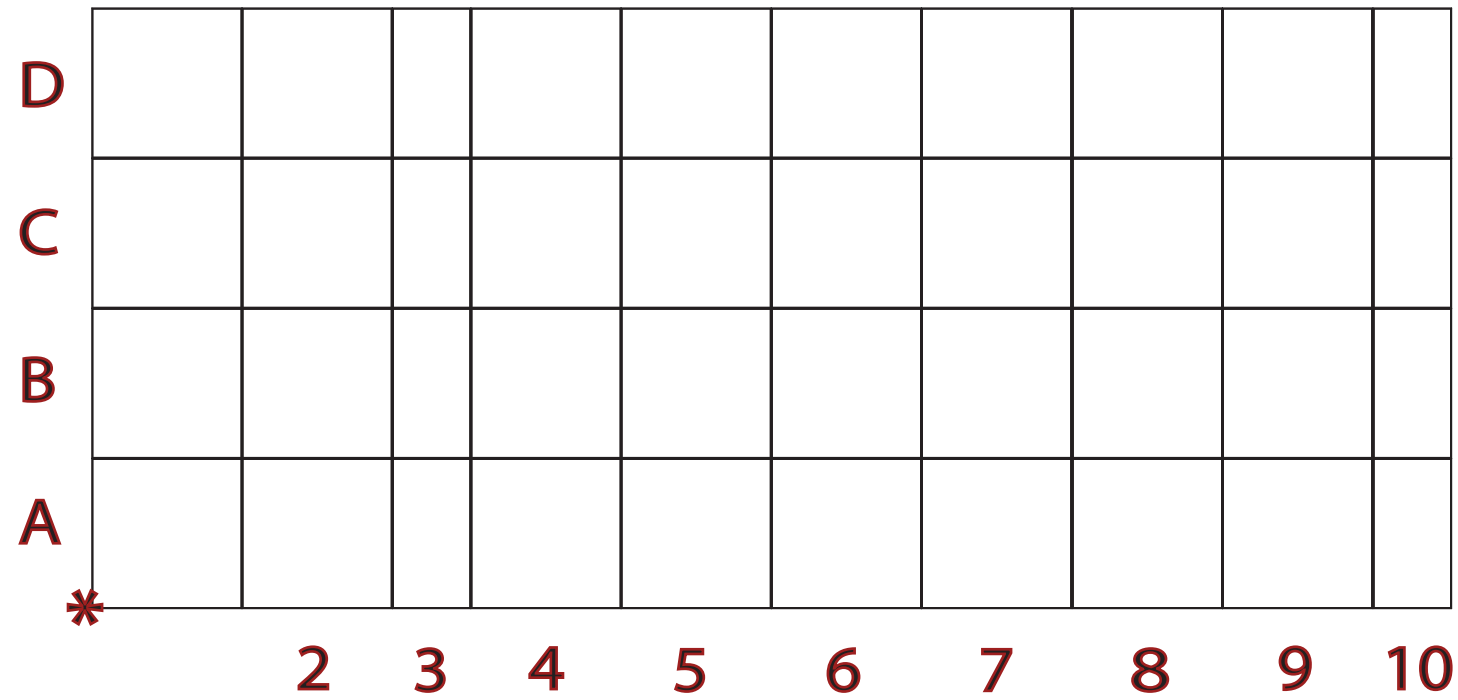
Project Title

**MultiQuad**  
An ExpoDisplays Product

**MQ - K1000**

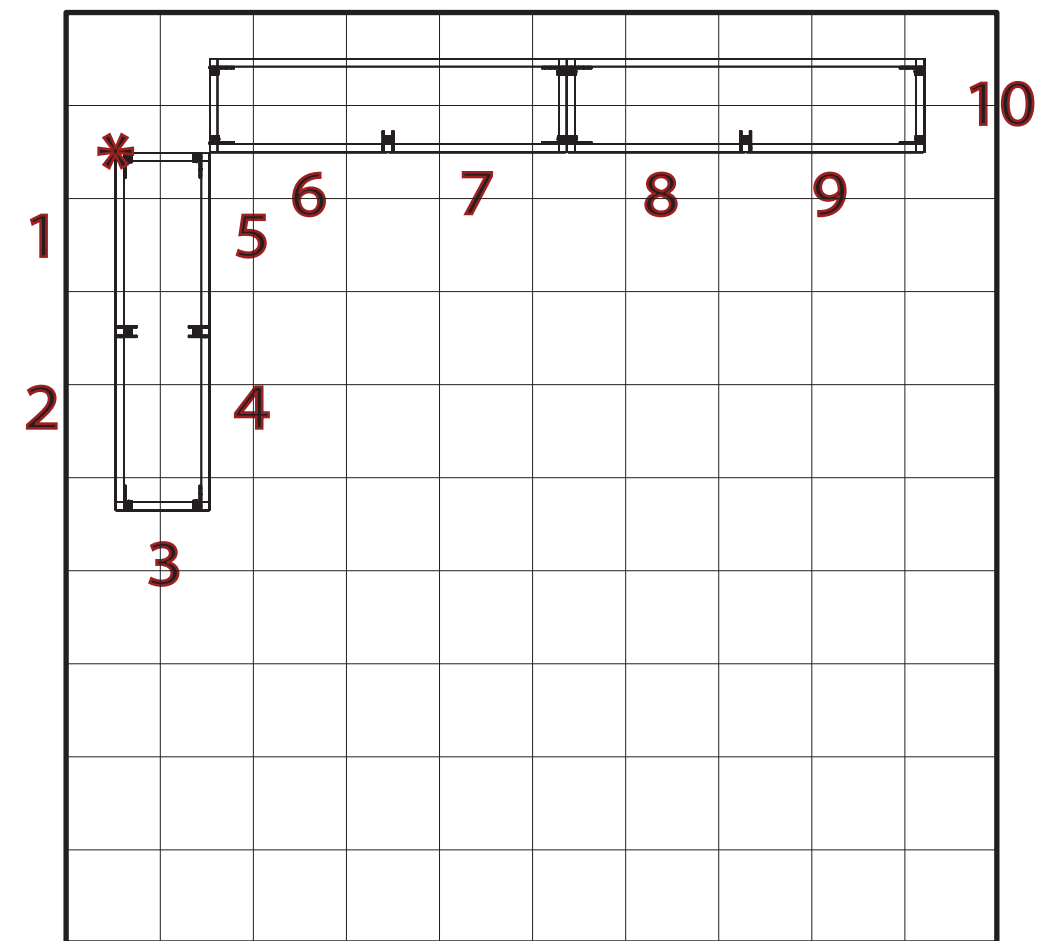
Sheet Title

**ASSEMBLY  
INSTRUCTIONS  
EXPLODED LAYOUT**



MAIN WALL FLATTEN ELEVATION

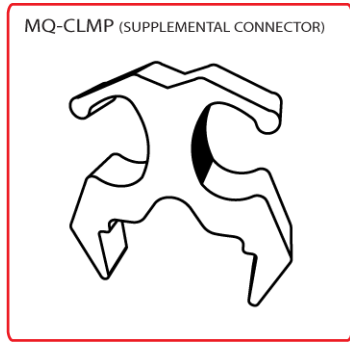
PARTS LIST:		
#	SIZE	NAME
32	23x23	STANDARD QUAD
8	12x23	SIDE QUAD



\* = ORIGIN

Plan View

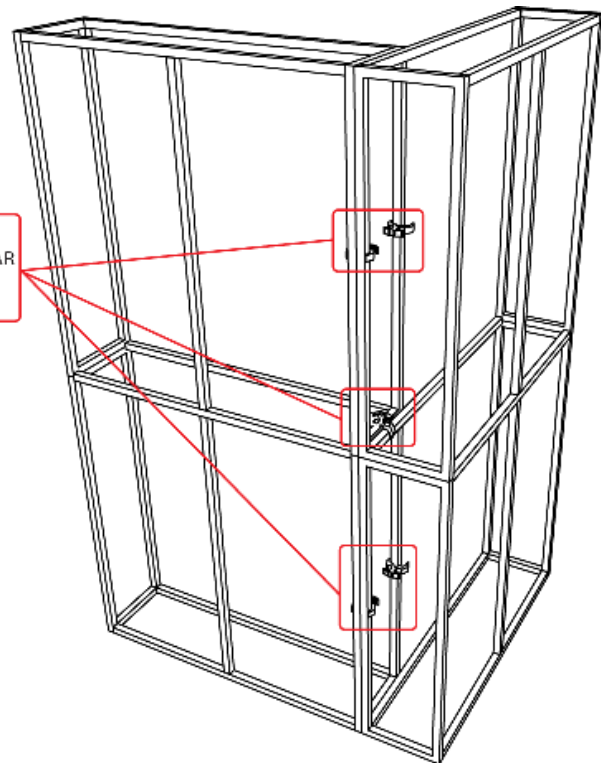
MQ-CLMP SUPPLEMENTAL CONNECTOR INSTRUCTIONS



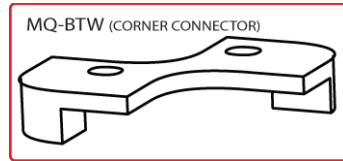
THE MQ-CLMP SUPPLEMENTAL CONNECTOR IS A FRICTION-FIT (SLIDES ON) CONNECTOR DESIGNED FOR USE IN ABNORMAL MULTIQUAD FRAME CONFIGURATIONS, OR AS ADDITIONAL FRAME SECURITY IN SPECIAL SITUATIONS.

THE MQ-CLMP SIMPLY SLIDES OVER THE MULTIQUAD FRAME WHERE NEEDED.

HERE THEY ARE USED TO SECURE A PERPENDICULAR FRAME-TO-FRAME CONFIGURATION



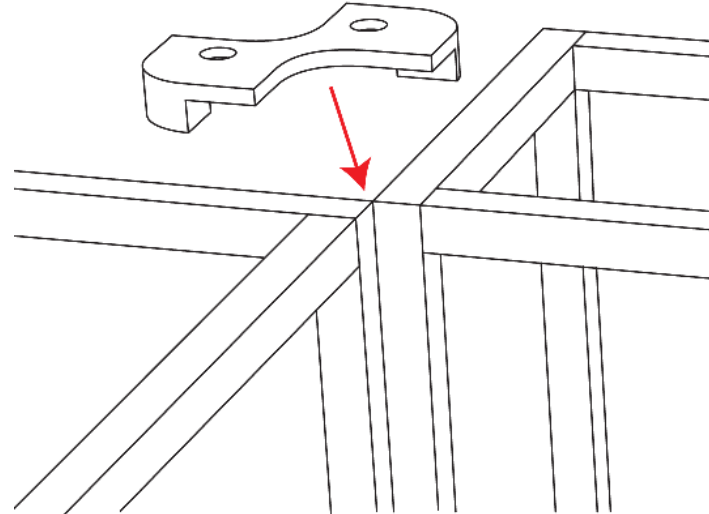
MQ-BTW CORNER CONNECTOR INSTRUCTIONS



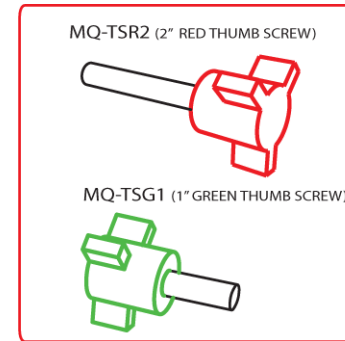
THE MQ-BTW CORNER CONNECTOR IS DESIGNED TO SUPPLEMENT THE "CORNER-TO-CORNER" CONNECTION NEEDED IN SOME MULTIQUAD CONFIGURATIONS. THE MQ-BTW IS MOST EFFECTIVE ON THE TOP OF THE FRAMES, BUT CAN BE USED ON THE BOTTOM ALSO.

AFTER THE TWO MULTIQUAD FRAMES ARE SET "CORNER-TO-CORNER" THE MQ-BTW SIMPLY SLIDES OVER THE CORNER AND SETTLES INTO PLACE. THIS WILL FURTHER SECURE THE MULTIQUAD FRAME.

MQ-BTW (CORNER CONNECTOR)



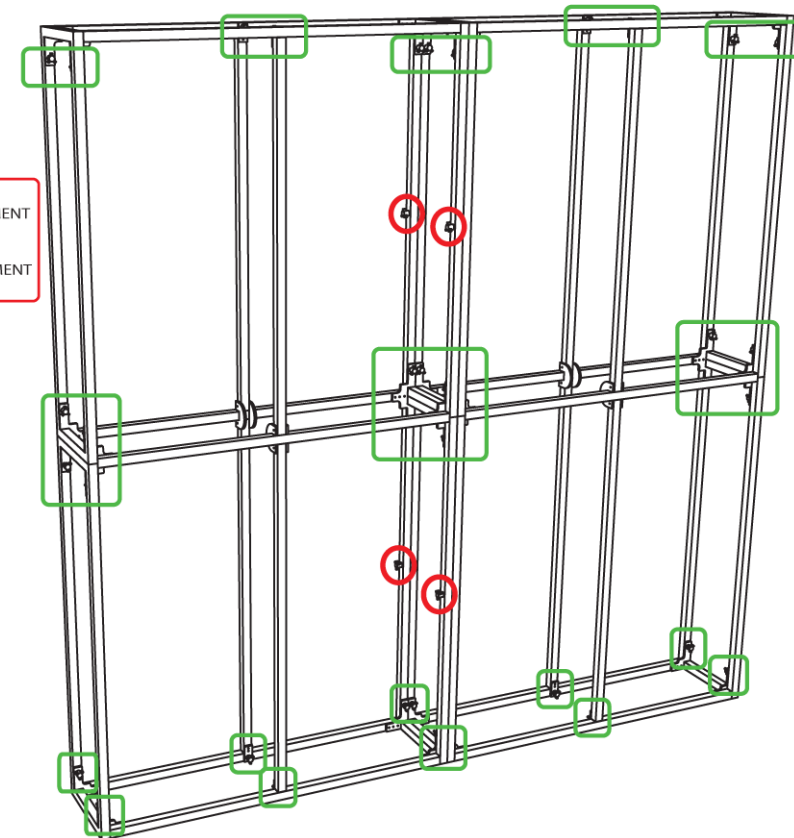
MQ-TSR2 / MQ-TSG1 THUMB SCREW INSTRUCTION



THE MQ-TSR2 IS A 2" RED THUMB SCREW. IT IS USED TO CONNECT MULTIQUAD FRAMES INTO AN INLINE CONFIGURATION. MULTIQUAD FRAMES HAVE A LEFT AND RIGHT SIDE AFTER CONSTRUCTION. THESE SCREWS PASS THROUGH ONE FRAME AND SCREW INTO THE OTHER FRAME.

THE MQ-TSG1 IS A 1" GREEN THUMB SCREW. IT IS USED TO BUILD ALL MULTIQUAD FRAMES.

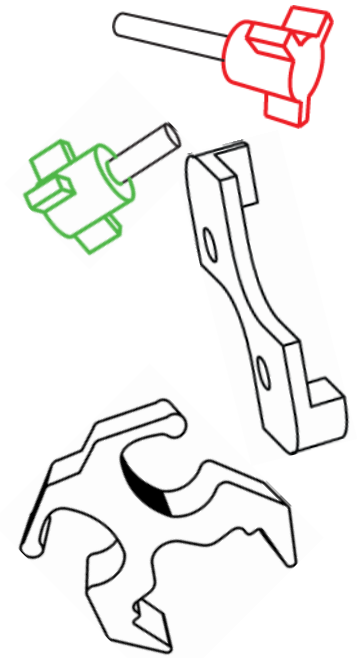
- = MQ-TSR2 PLACEMENT
- = MQ-TSG1 PLACEMENT



**Expo EX PO Displays**  
A Division of Diamond Displays International

3401 Mary Taylor Road  
Birmingham, Alabama 35235  
(205) 439-8200

Drawn By: AKHIII



Sheet Title

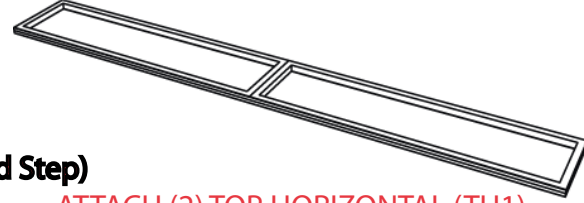
**ASSEMBLY INSTRUCTIONS CONNECTORS**

**PARTS LIST:**

#	LABEL	NAME
1	LVH1	LEFT VERTICAL HINGED
1	RVH1	RIGHT VERTICAL HINGED
2	BH1	BOTTOM HORIZONTAL
2	MH1	MIDDLE HORIZONTAL
2	TH1	TOP HORIZONTAL
2	CVH1	CENTER VERTICAL HINGED
18	GRN	1" THUMB SCREWS
4	RED	2" THUMB SCREWS

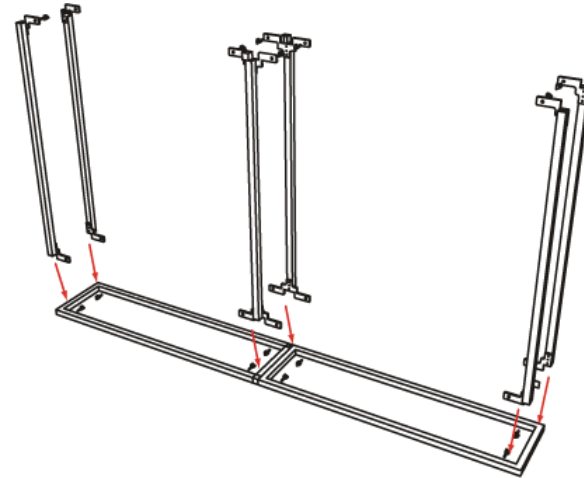
**1st Step)**

START WITH THE LEFT VERTICAL HINGE (LVH1) ON THE GROUND



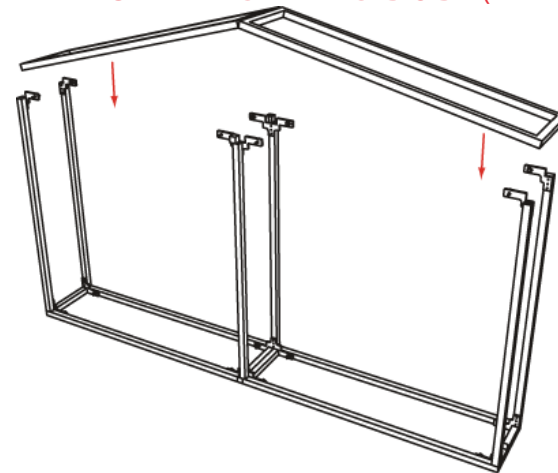
**2nd Step)**

ATTACH (2) TOP HORIZONTAL (TH1), (2) MIDDLE HORIZONTAL (MH1), (2) BOTTOM HORIZONTAL (BH1)



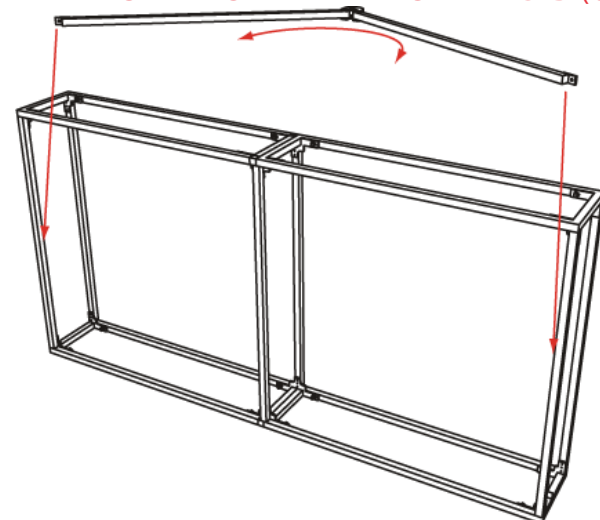
**3rd Step)**

ATTACH THE RIGHT HINGED SIDE (RVH1)

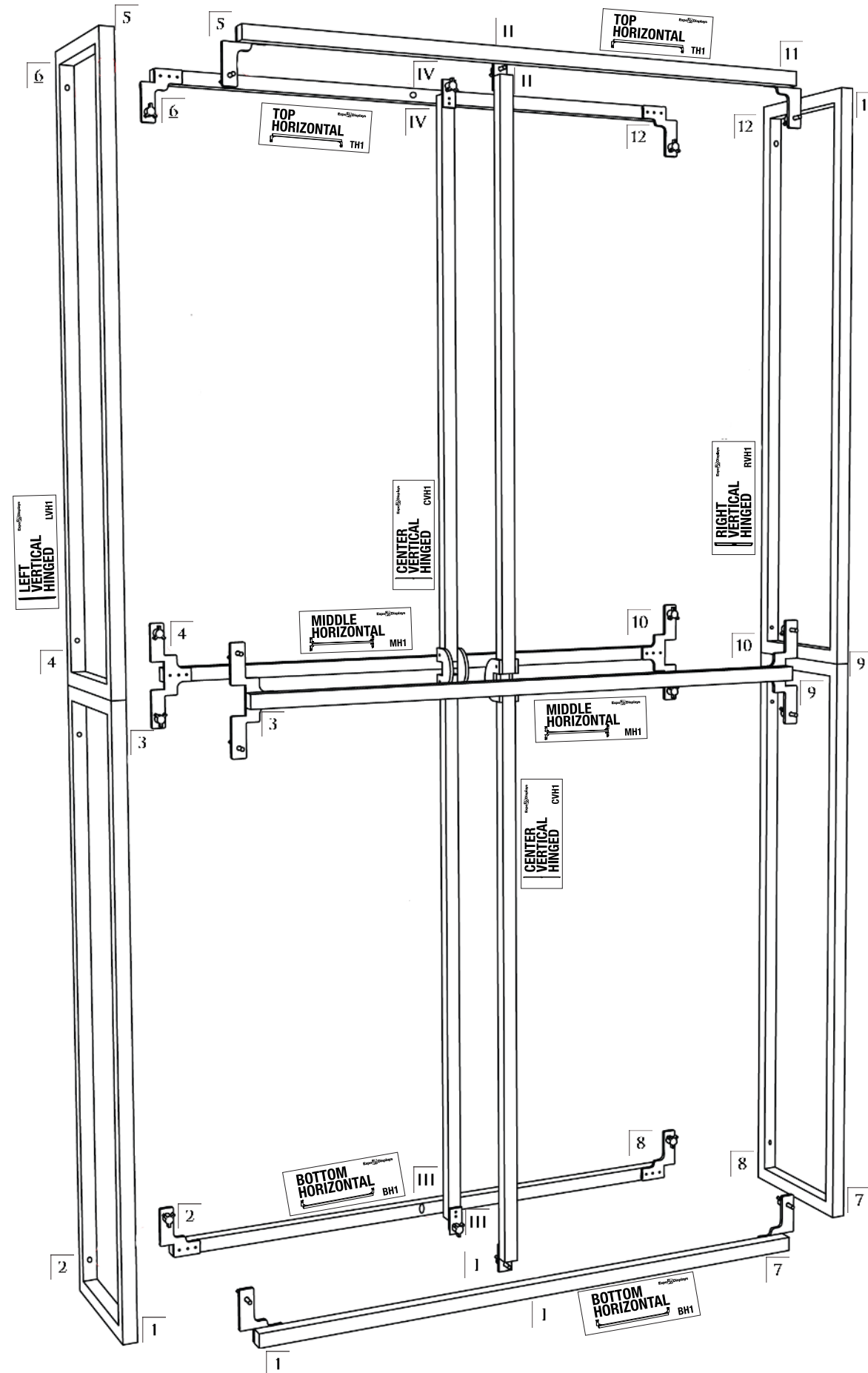


**4th Step)**

ATTACH THE CENTER VERTICAL HINGED (CVH1)



\*MATCH NUMBERS TO CONSTRUCT.

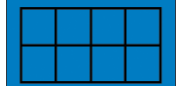


**Expo EX PO Displays**  
A Division of Diamond Displays International

3401 Mary Taylor Road  
Birmingham, Alabama 35235  
(205) 439-8200

Drawn By: AKHIII

THIS PART USED TO MAKE  
**MQ-F24**  
2x4 STANDARD FRAME



Sheet Title

**ASSEMBLY INSTRUCTIONS**  
**2x4 STANDARD FRAME**  
**MQ-F24**

APPENDIX B