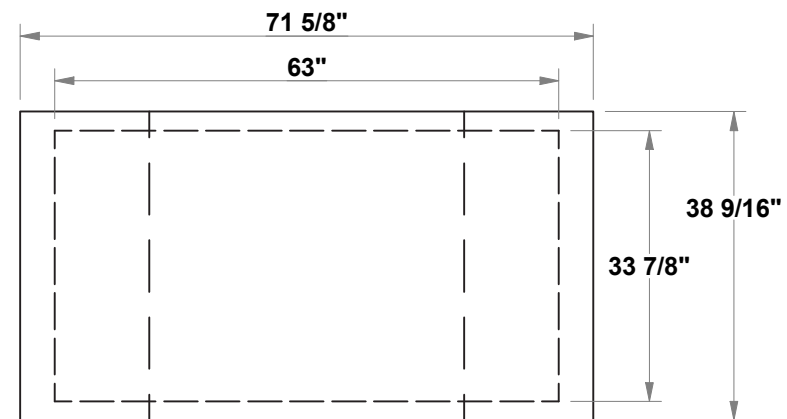
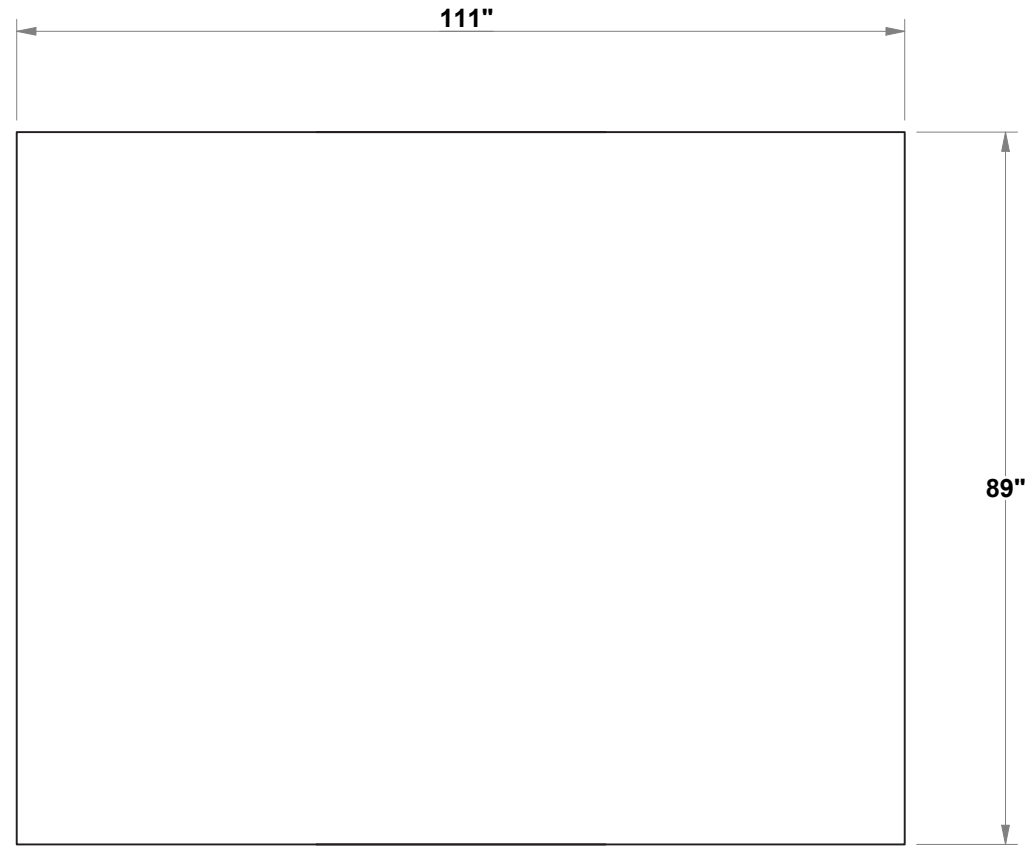


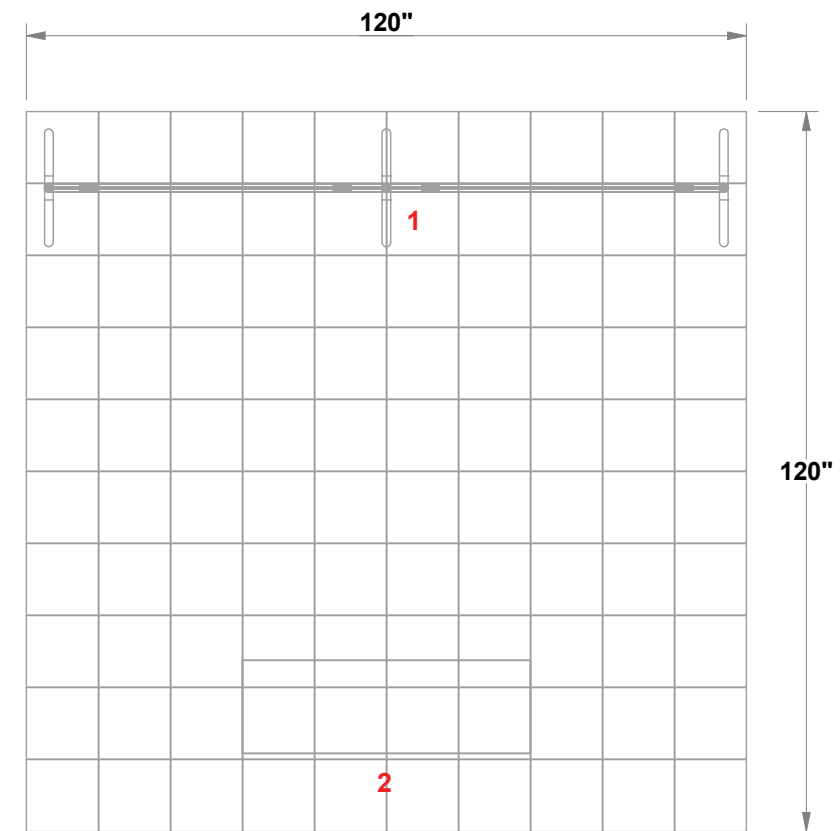
# PRELIMINARY GRAPHIC LAYOUT

PARTS LIST:		
QTY	SIZE	NAME
1	89 X 111	8 X 10 SILHOUETTE
1	71.65 X 38.58	FLITE PODIUM GRAPHIC



SAFE AREA - - - - -

SEAM - - - - -



TOP VIEW



3401 Mary Taylor Road  
Birmingham, Alabama 35235  
(205) 439-8200

Job #: S-WK11

Date: 8.1.2020

Drawn By: CASS

Project Title

**KIT-S-WK11**  
**10x10 SILHOUETTE®**

Sheet Title

**PRELIMINARY  
GRAPHICS LAYOUT**