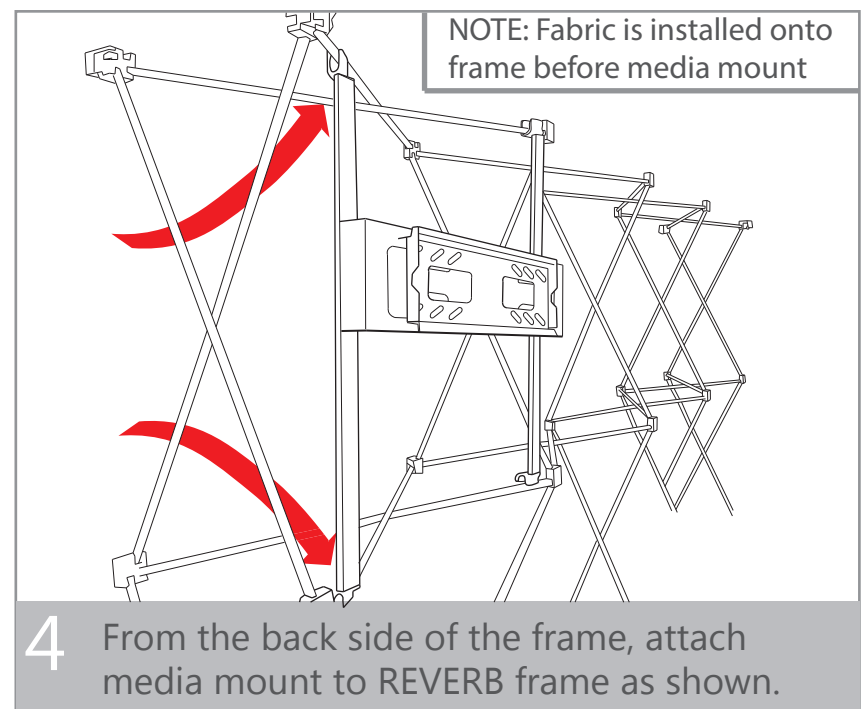
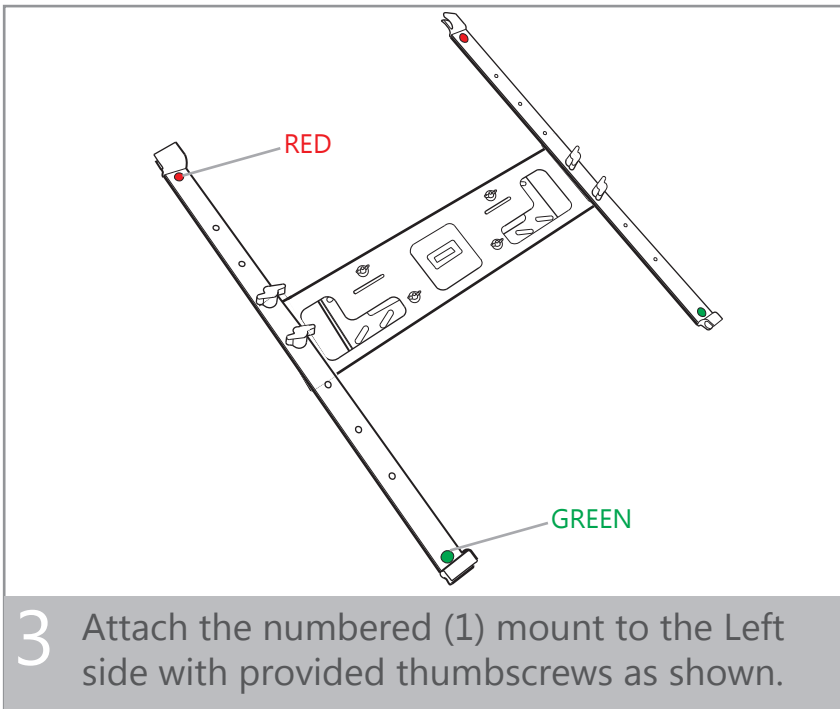
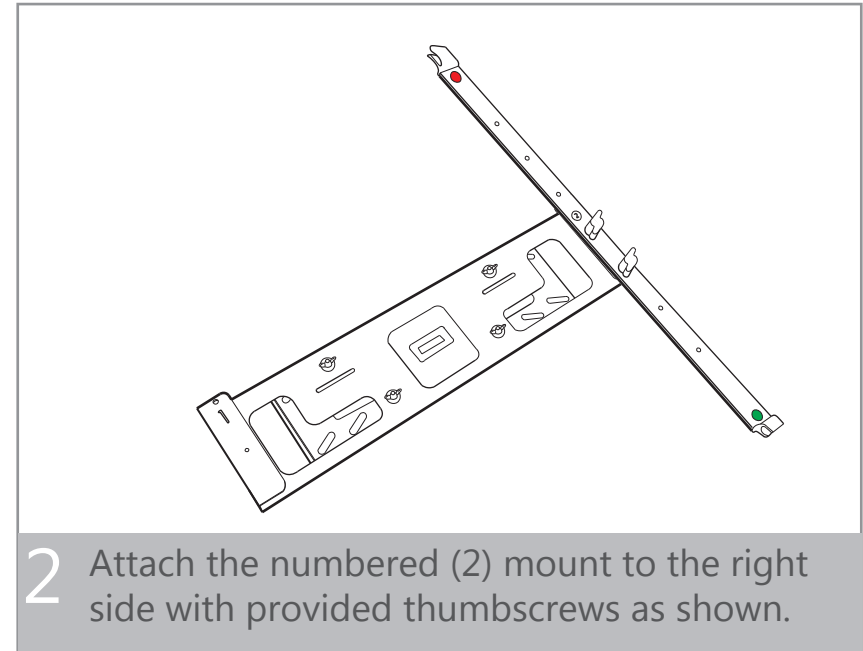
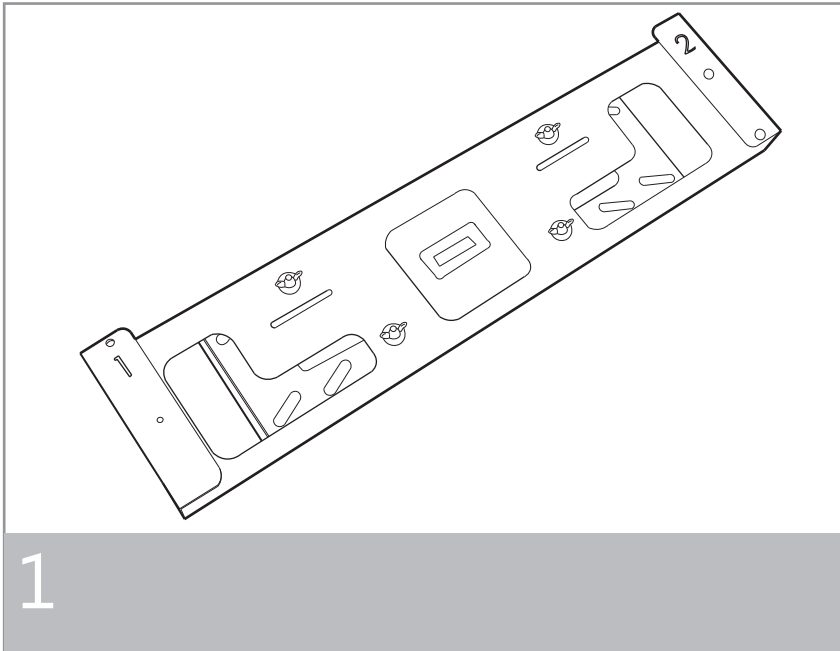


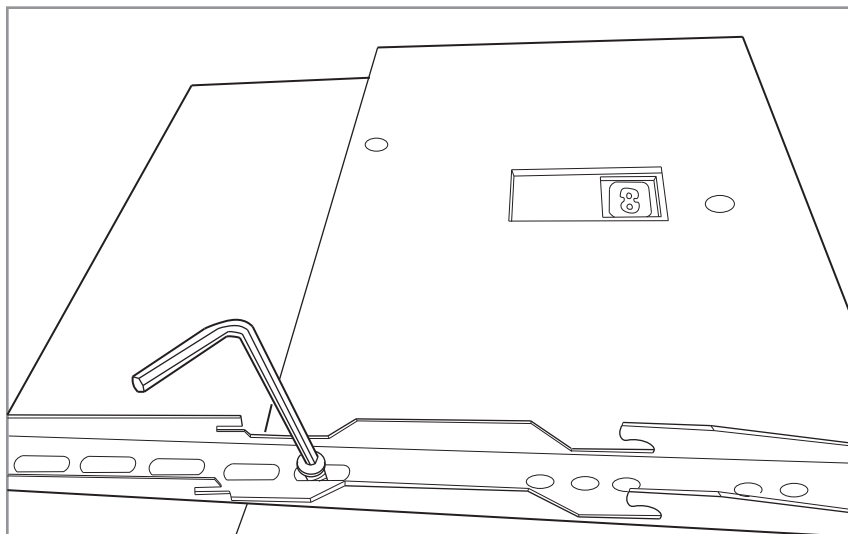
MEDIA MOUNT ASSEMBLY

REVERB™

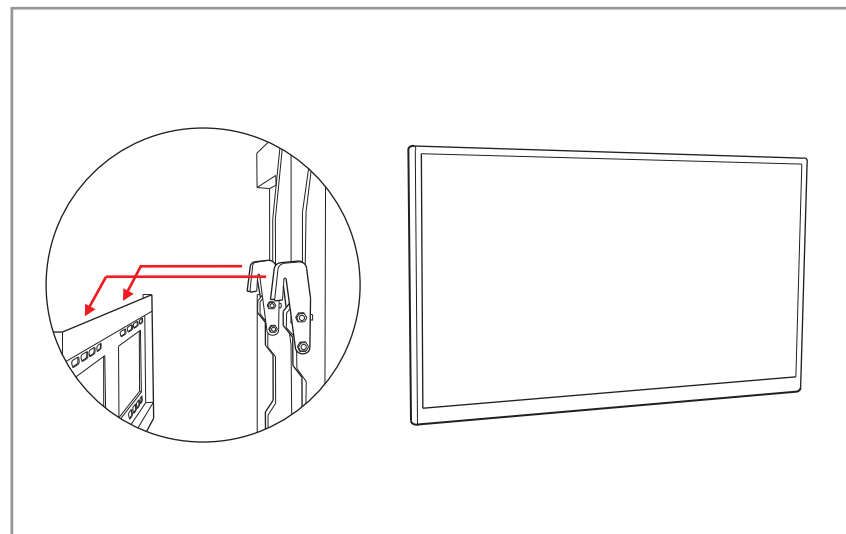


MEDIA MOUNT ASSEMBLY

REVERB™



5 Attach both mount hooks provided screws and allen wrench.



6 Hook monitor onto media mount. Ensure a secure and proper installation.

