

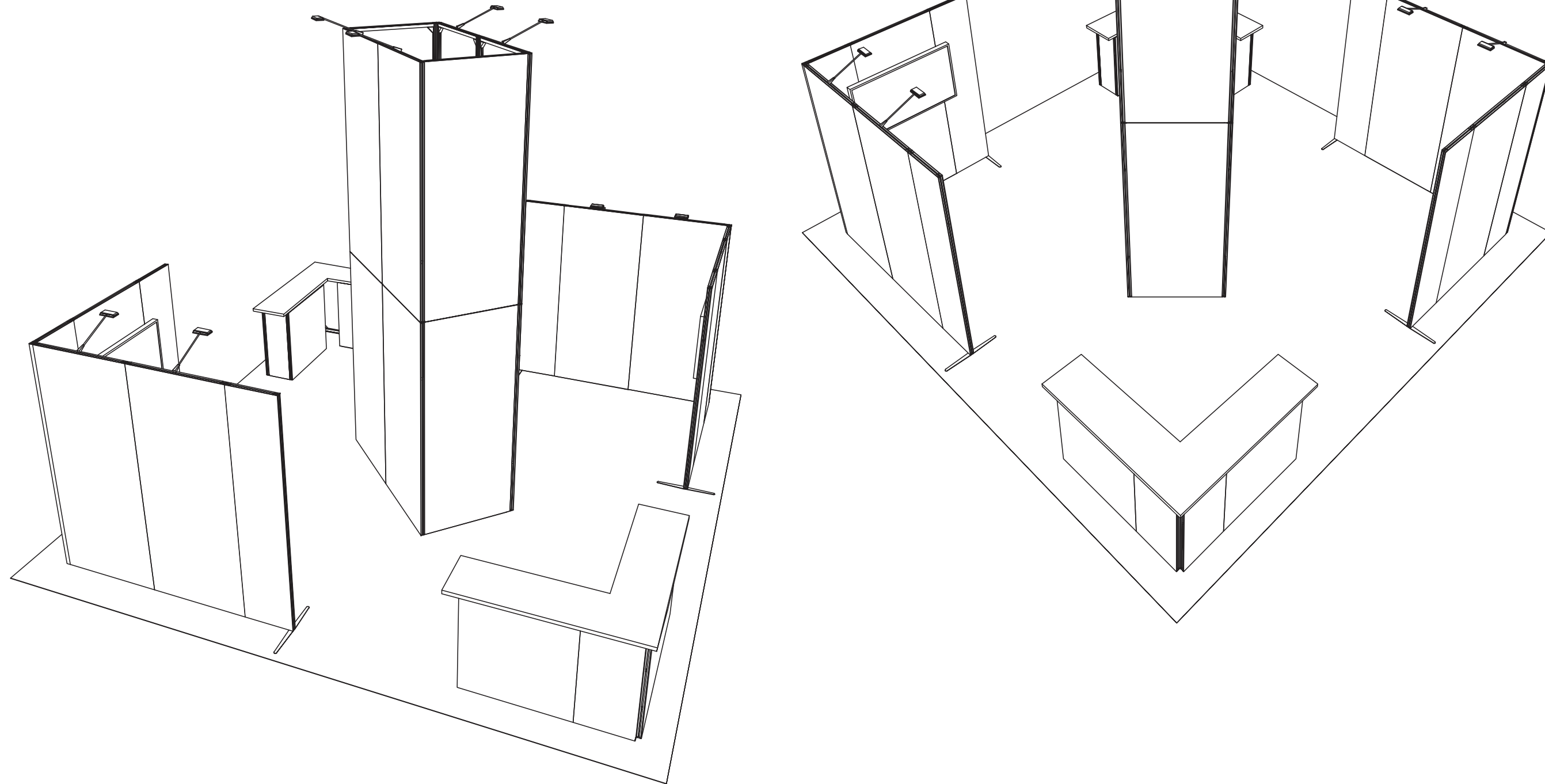
PRELIMINARY GRAPHIC LAYOUT

panoramic[®]
n-line

PARTS LIST:		
QTY	SIZE	NAME
24	38 X 93	TYPICAL GRAPHIC
12	19 X 93	HALF GRAPHIC
8	38 X 37.875	FRONT PODIUM GRAPHIC
4	12 X 37.875	SIDE PODIUM GRAPHIC
4	19 X 37.875	END PODIUM GRAPHIC

3401 Mary Taylor Road
Birmingham, Alabama 35235
(205) 439-8200

KIT-HL-WK67



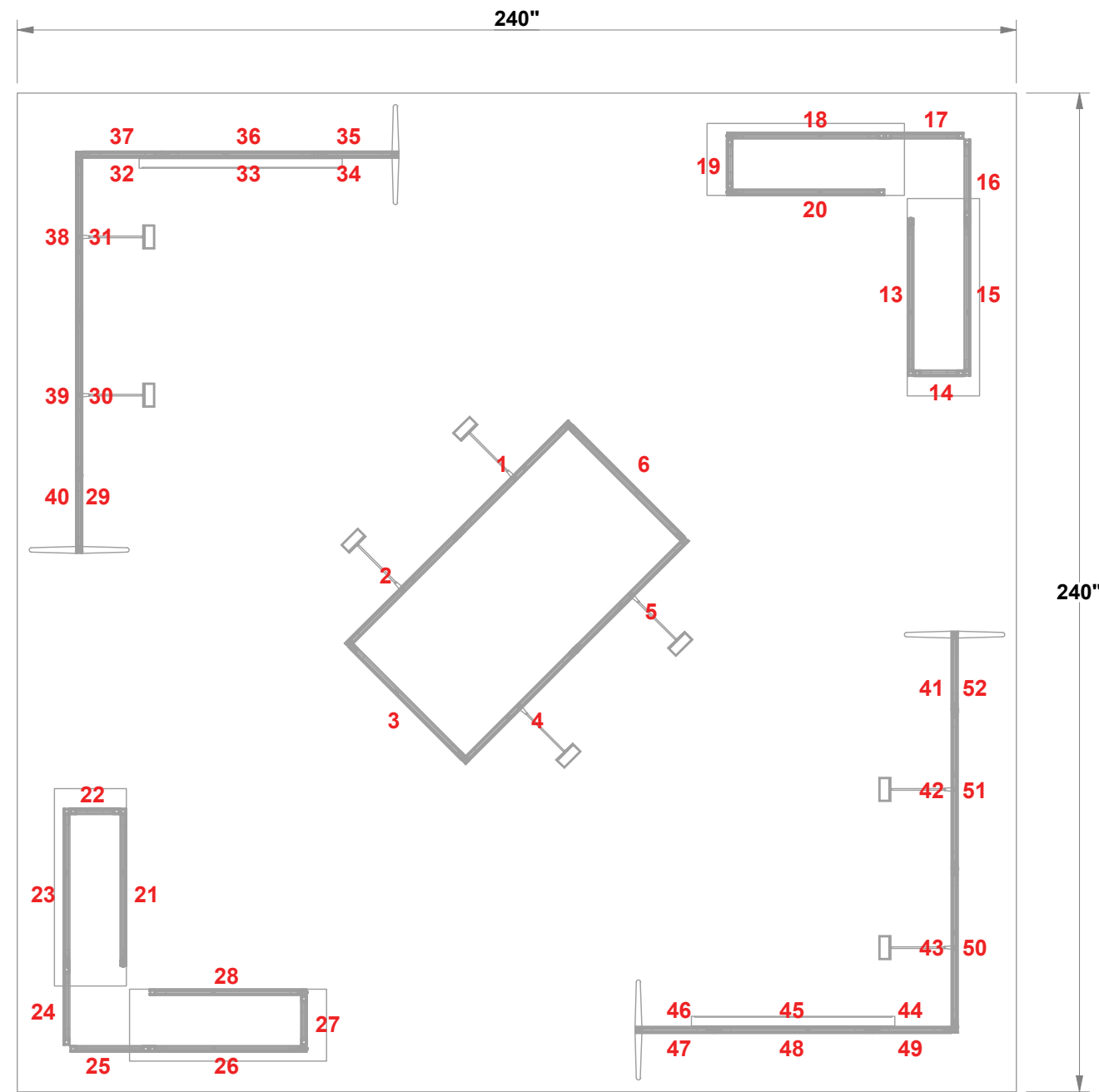
20x20 H-Line

PRELIMINARY GRAPHIC LAYOUT



3401 Mary Taylor Road
Birmingham, Alabama 35235
(205) 439-8200

KIT-HL-WK67



TOP VIEW

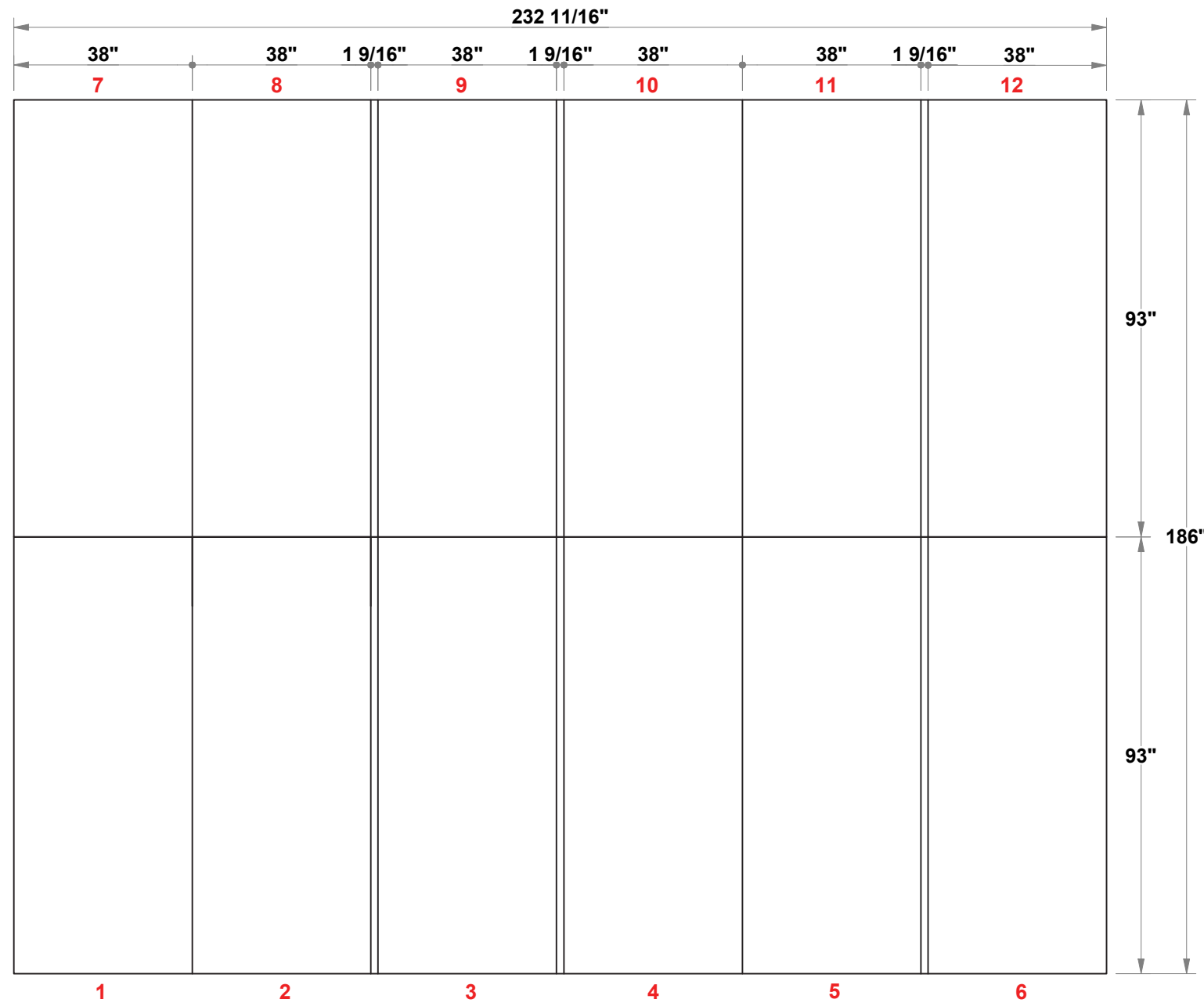
20x20 H-Line

PRELIMINARY GRAPHIC LAYOUT

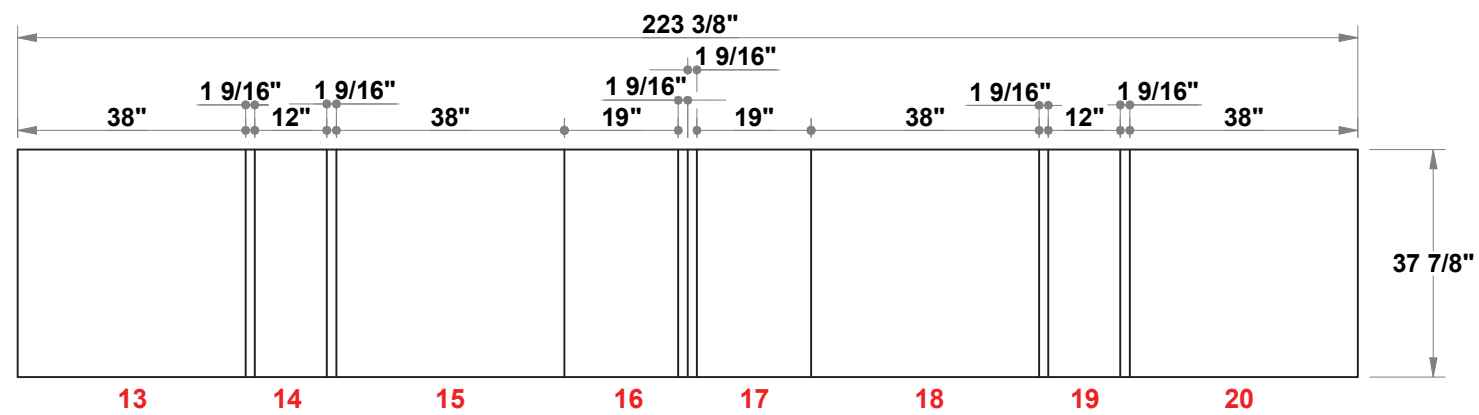


3401 Mary Taylor Road
Birmingham, Alabama 35235
(205) 439-8200

KIT-HL-WK67

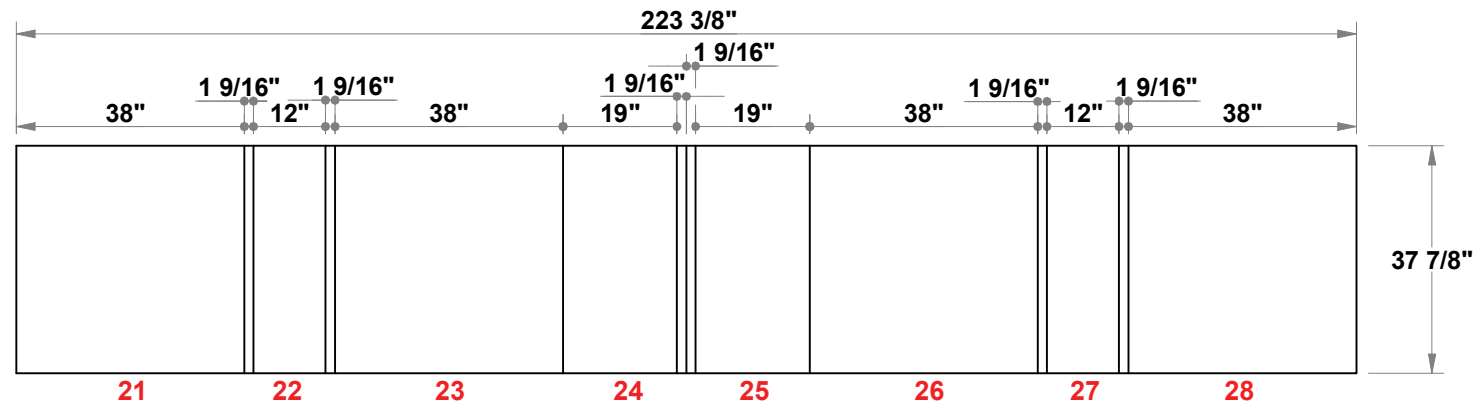


PARTS LIST:		
QTY	SIZE	NAME
24	38 X 93	TYPICAL GRAPHIC
12	19 X 93	HALF GRAPHIC
8	38 X 37.875	FRONT PODIUM GRAPHIC
4	12 X 37.875	SIDE PODIUM GRAPHIC
4	19 X 37.875	END PODIUM GRAPHIC

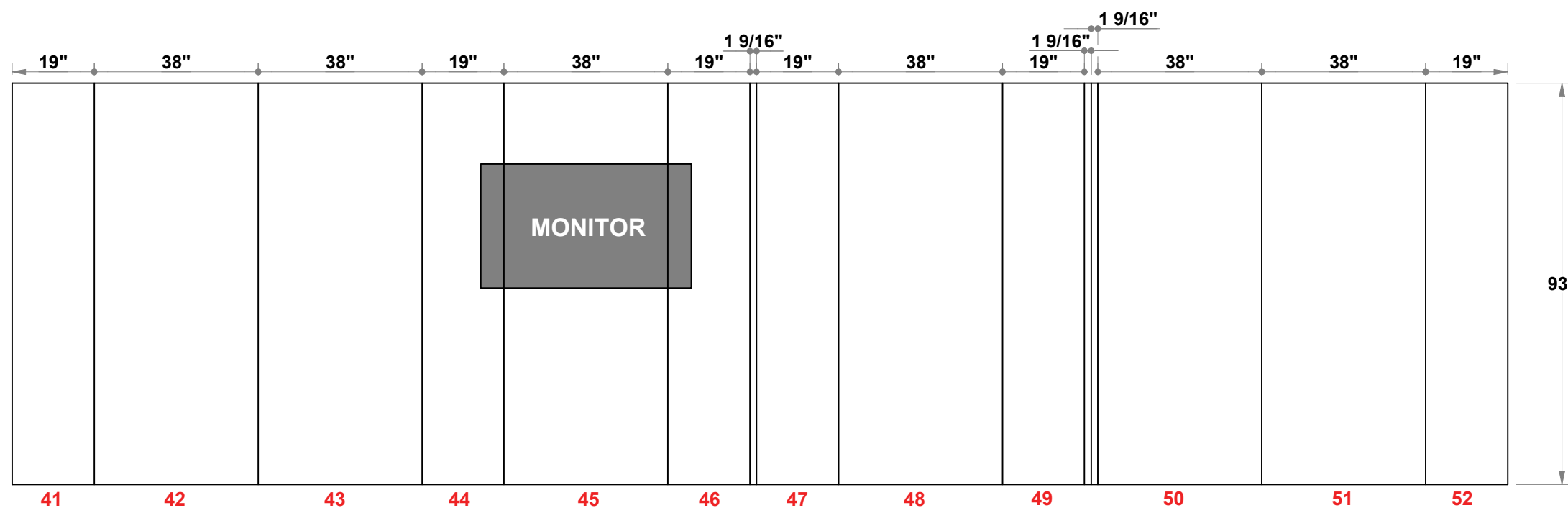
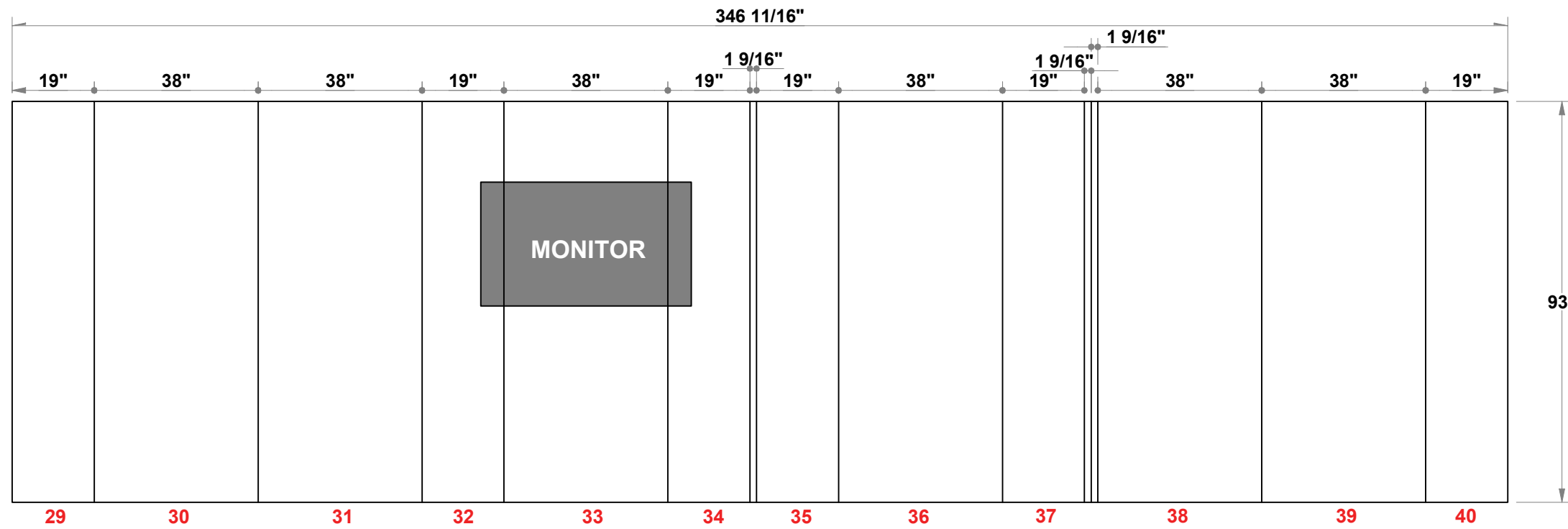


20x20 H-Line

PRELIMINARY GRAPHIC LAYOUT



PARTS LIST:		
QTY	SIZE	NAME
24	38 X 93	TYPICAL GRAPHIC
12	19 X 93	HALF GRAPHIC
8	38 X 37.875	FRONT PODIUM GRAPHIC
4	12 X 37.875	SIDE PODIUM GRAPHIC
4	19 X 37.875	END PODIUM GRAPHIC



3401 Mary Taylor Road
Birmingham, Alabama 35235
(205) 439-8200

KIT-HL-WK67

20x20 H-Line