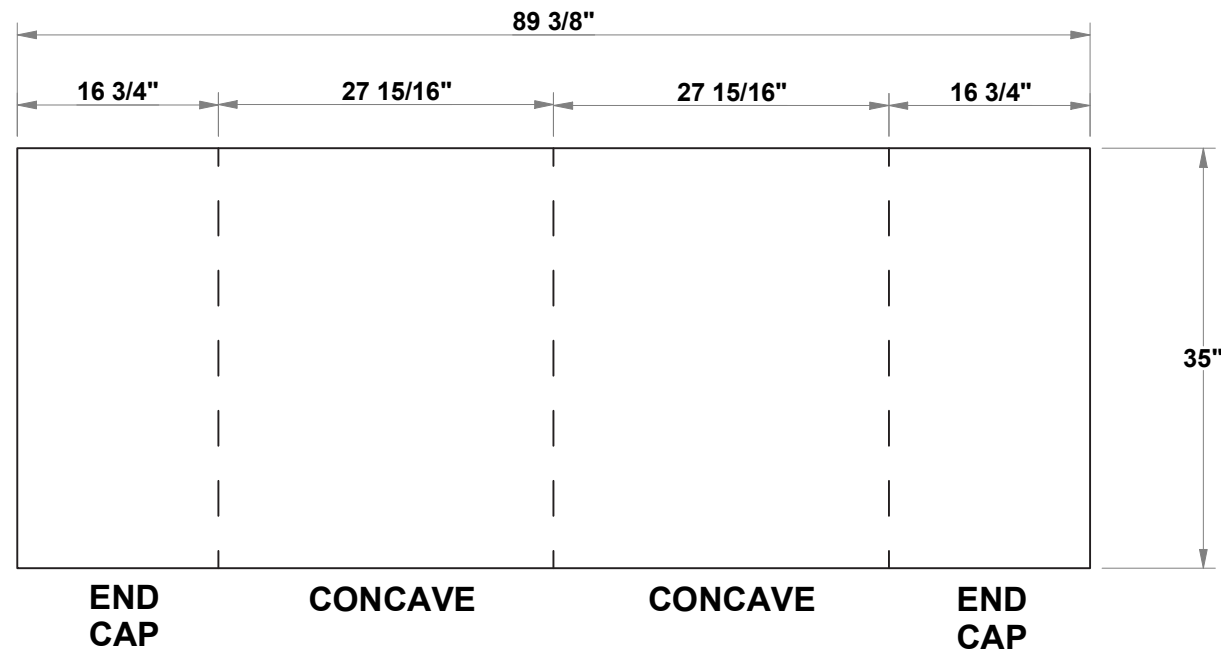


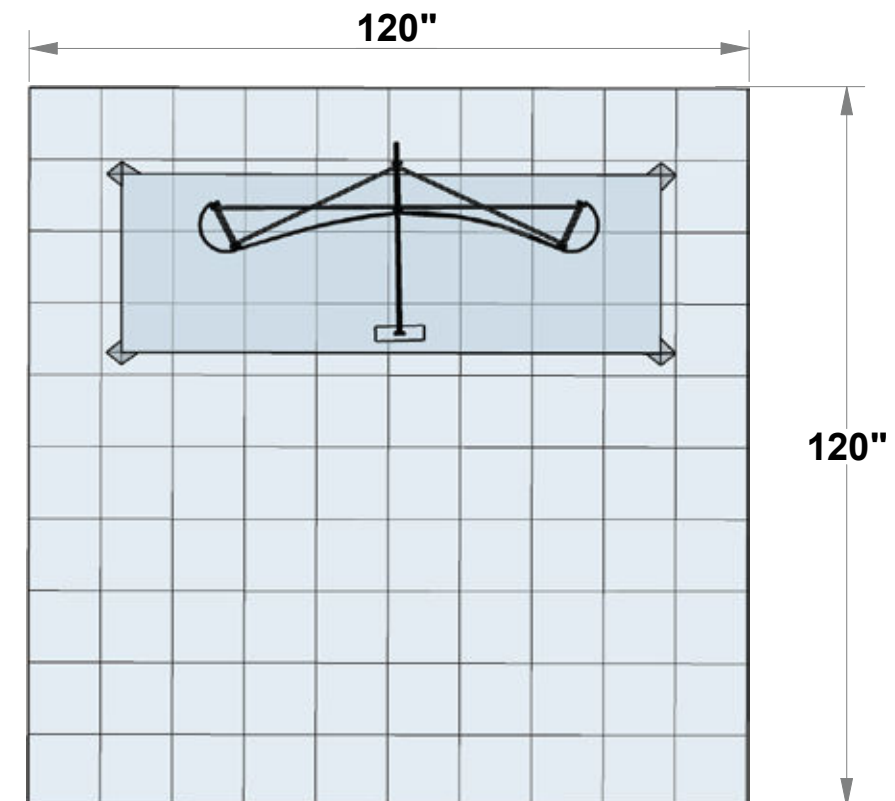
# PRELIMINARY GRAPHIC LAYOUT

PARTS LIST:		
QTY	SIZE	NAME
1	89.38 X 35	6' EVOLUTION TABLETOP

## FLATTENED ELEVATED VIEW



---  
PANEL BREAK



**Evolution®**

3401 Mary Taylor Road  
Birmingham, Alabama 35235  
(205) 439-8200

Job #: EV-WK55

Date: 10.7.2020

Drawn By: CASS

Project Title

**KIT-EV-WK55**  
**10x10 EVOLUTION®**  
**TABLETOP**

Sheet Title

**PRELIMINARY**  
**GRAPHICS LAYOUT**