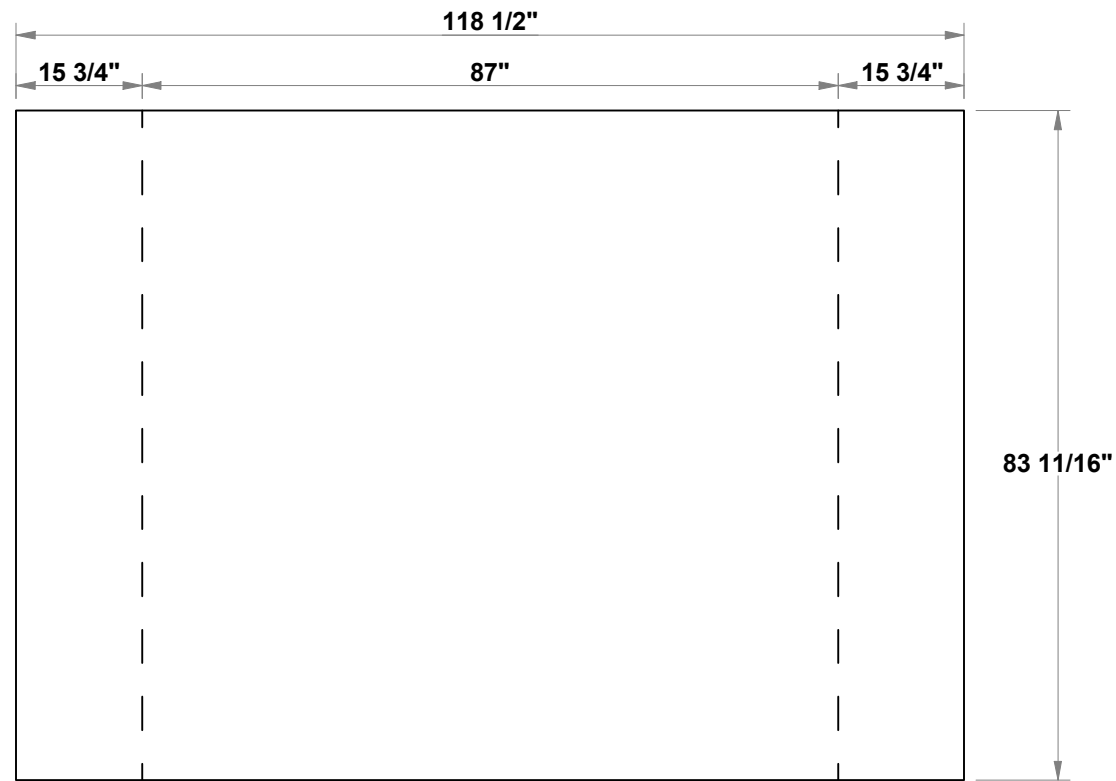


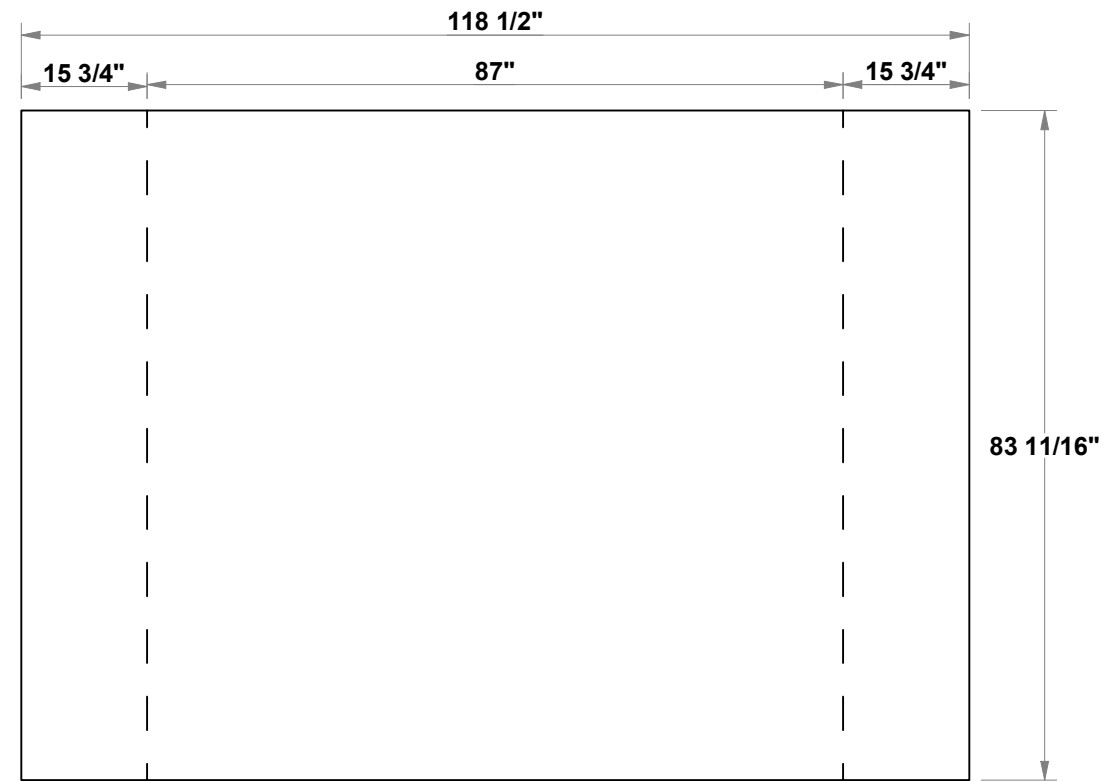
PRELIMINARY GRAPHIC LAYOUT

PARTS LIST:		
QTY	SIZE	NAME
2	83.7 X 118.5	10' VOOM GRAPHIC
2	71.65 X 38.58	VOOM PODIUM GRAPHIC

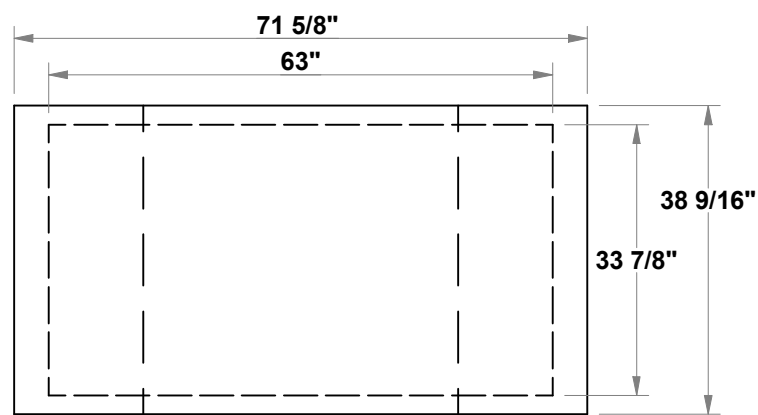
FLATTENED ELEVATED VIEW



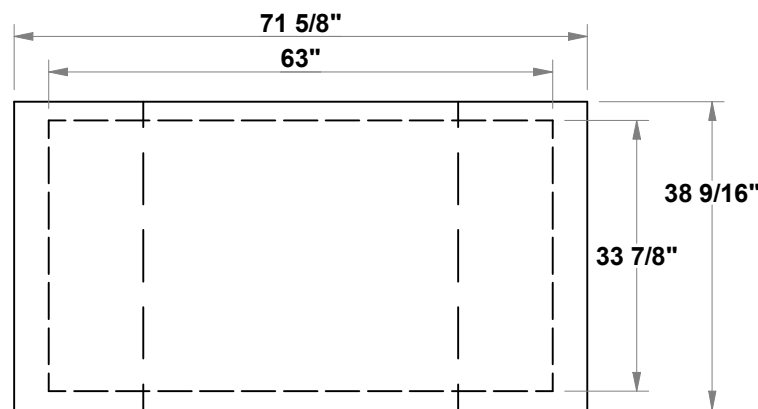
1



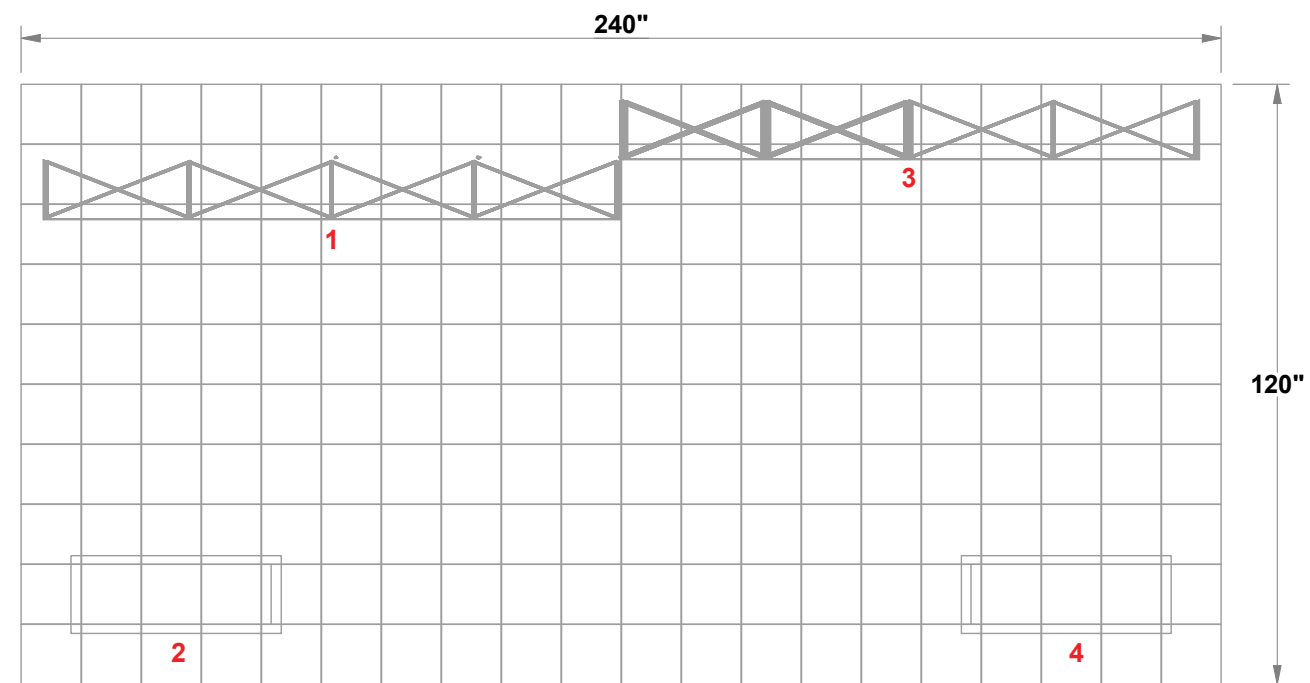
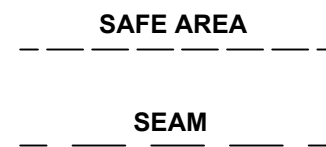
3



2



4



TOP VIEW

Voom™

3401 Mary Taylor Road
Birmingham, Alabama 35235
(205) 439-8200

Job #: V-WK44

Date: 9.29.2020

Drawn By: CASS

Project Title

KIT-V-WK44

10x20 VOOM

Sheet Title

PRELIMINARY
GRAPHICS LAYOUT