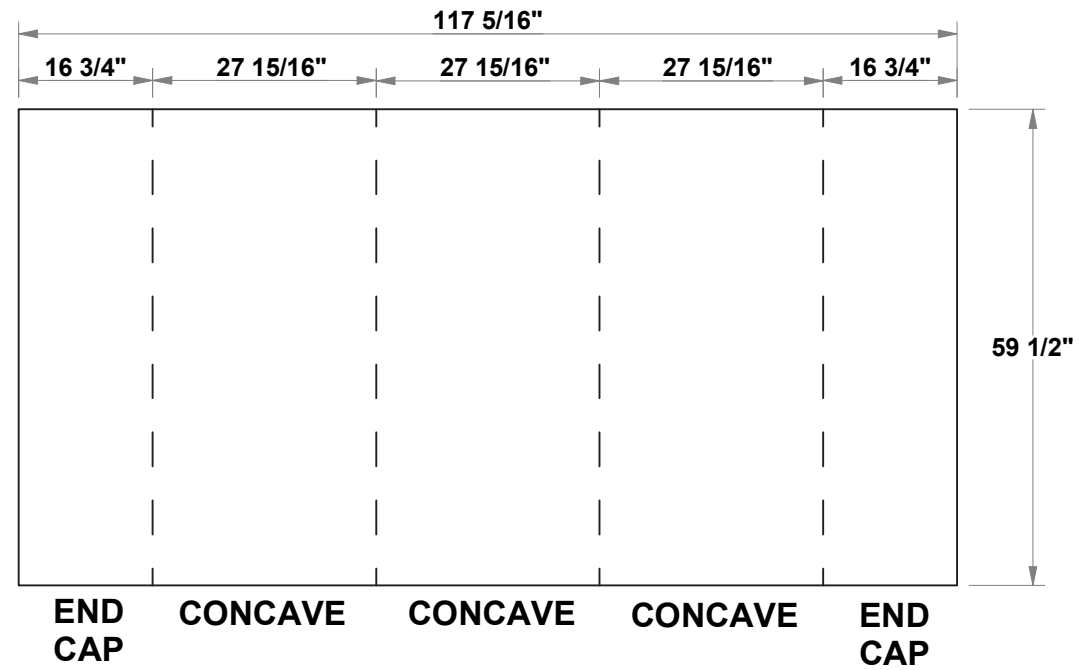


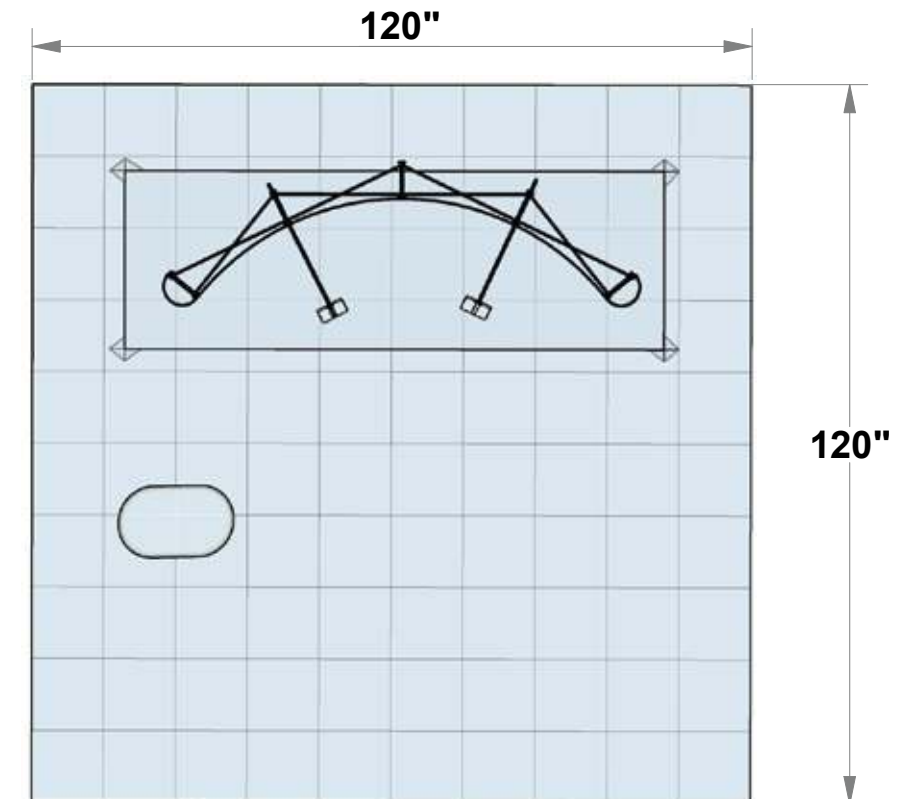
PRELIMINARY GRAPHIC LAYOUT

| PARTS LIST: | | |
|-------------|-----------------|-----------------------|
| QTY | SIZE | NAME |
| 1 | 117.3125 X 59.5 | 8' EVOLUTION TABLETOP |

FLATTENED ELEVATED VIEW



PANEL
BREAK



Evolution®

3401 Mary Taylor Road
Birmingham, Alabama 35235
(205) 439-8200

Job #: EV-WK08

Date: 9.18.2020

Drawn By: CASS

Project Title

KIT-EV-WK08
10x10 EVOLUTION®
TABLETOP

Sheet Title

PRELIMINARY
GRAPHICS LAYOUT