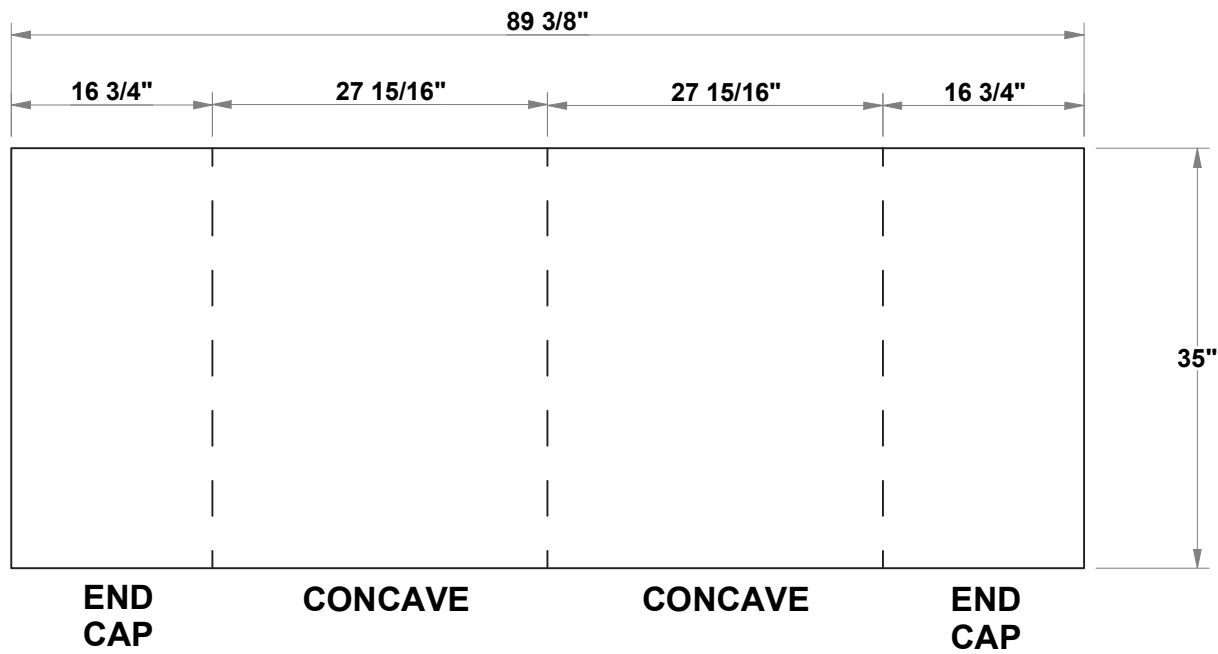


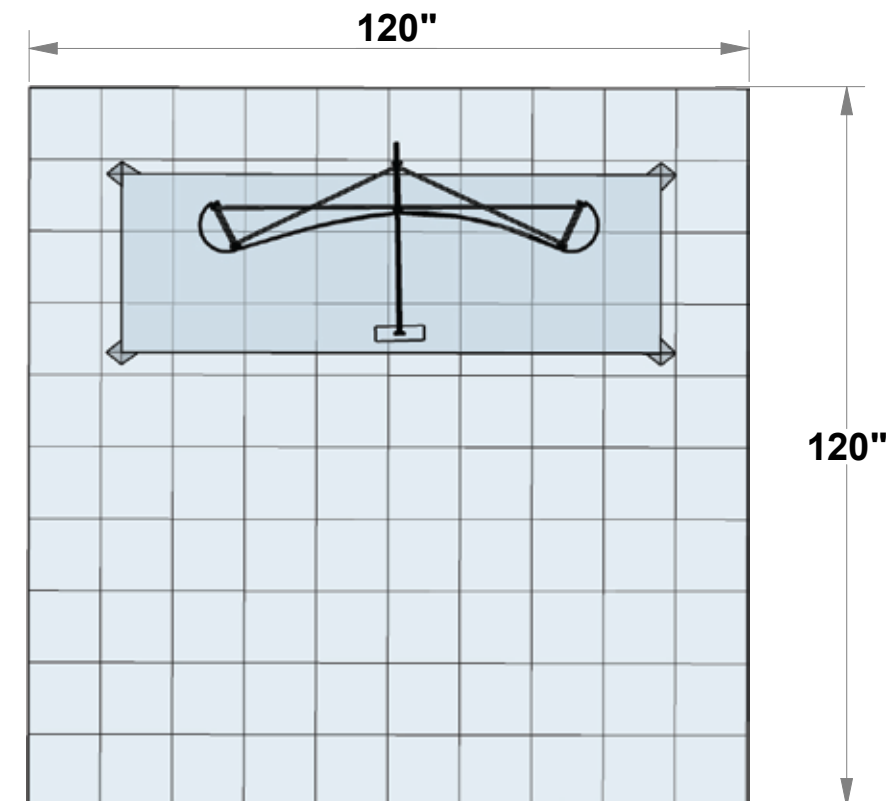
PRELIMINARY GRAPHIC LAYOUT

PARTS LIST:		
QTY	SIZE	NAME
1	89.38 X 35	6' EVOLUTION TABLETOP

FLATTENED ELEVATED VIEW



PANEL BREAK



Evolution®

3401 Mary Taylor Road
Birmingham, Alabama 35235
(205) 439-8200

Job #: EV-WK55

Date: 10.7.2020

Drawn By: CASS

Project Title

KIT-EV-WK55
10x10 EVOLUTION®
TABLETOP

Sheet Title

PRELIMINARY
GRAPHICS LAYOUT