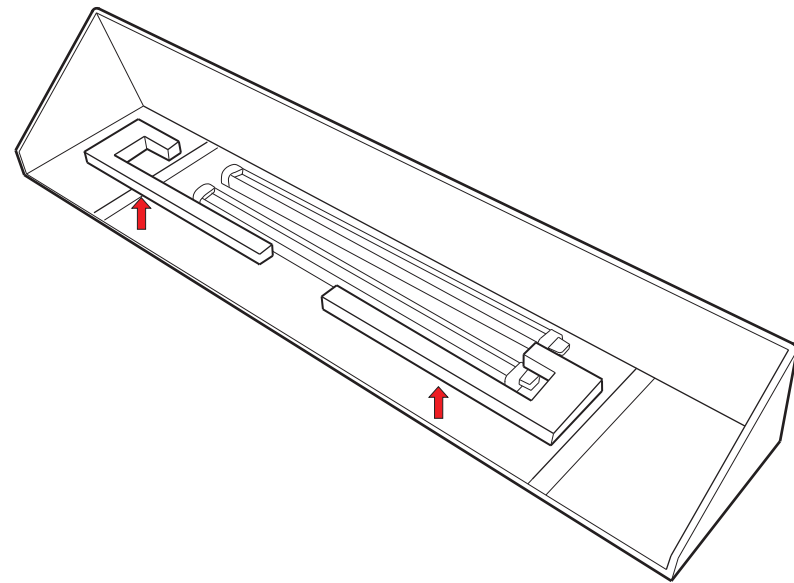
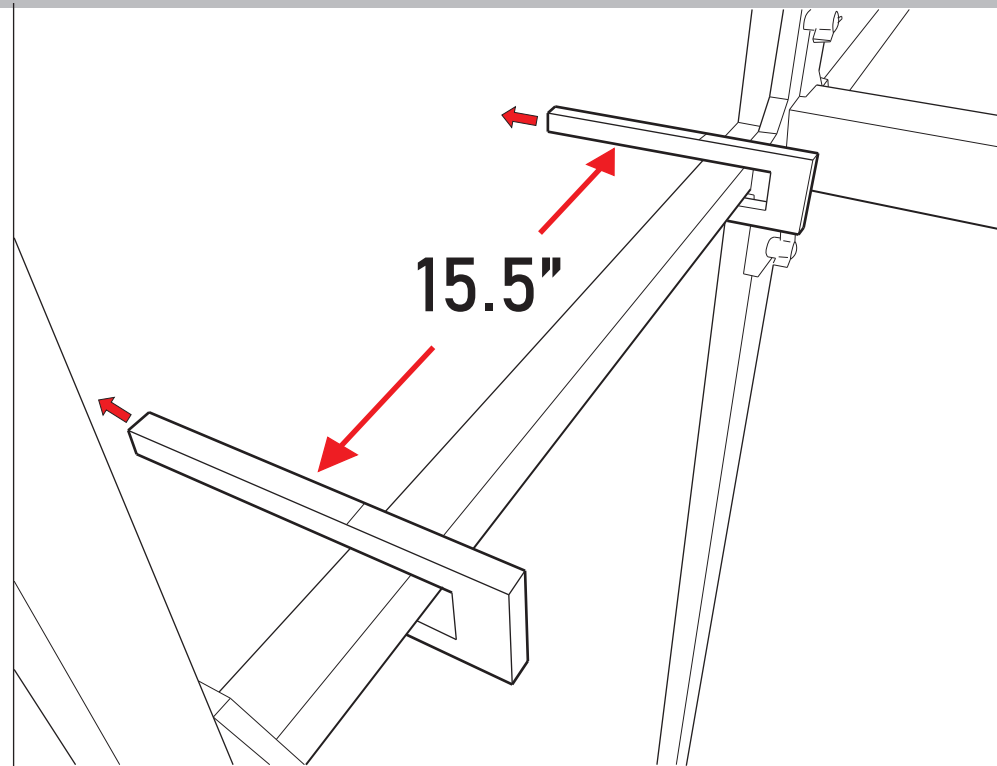


WALL SCONCE ASSEMBLY

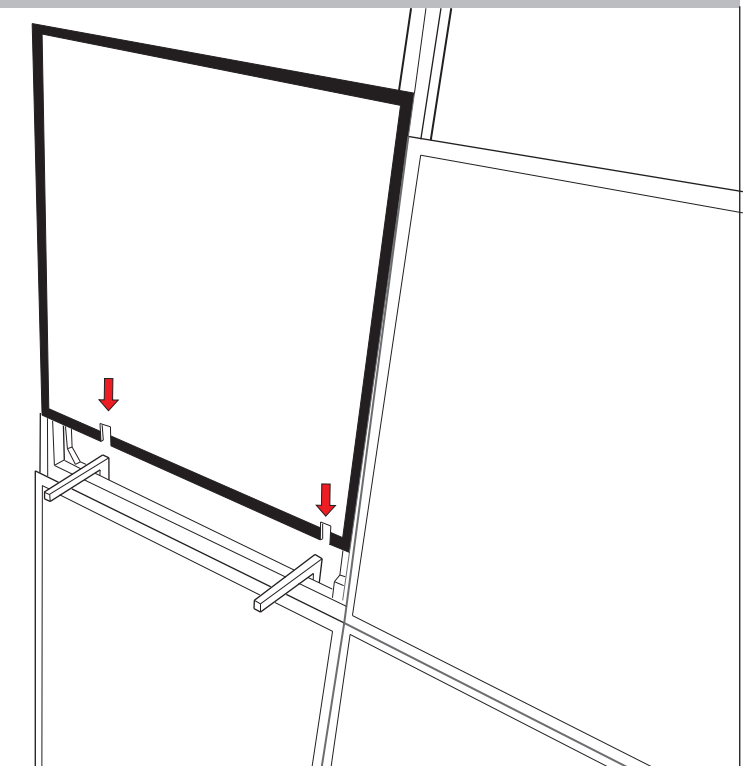
EXPO MultiQuad®



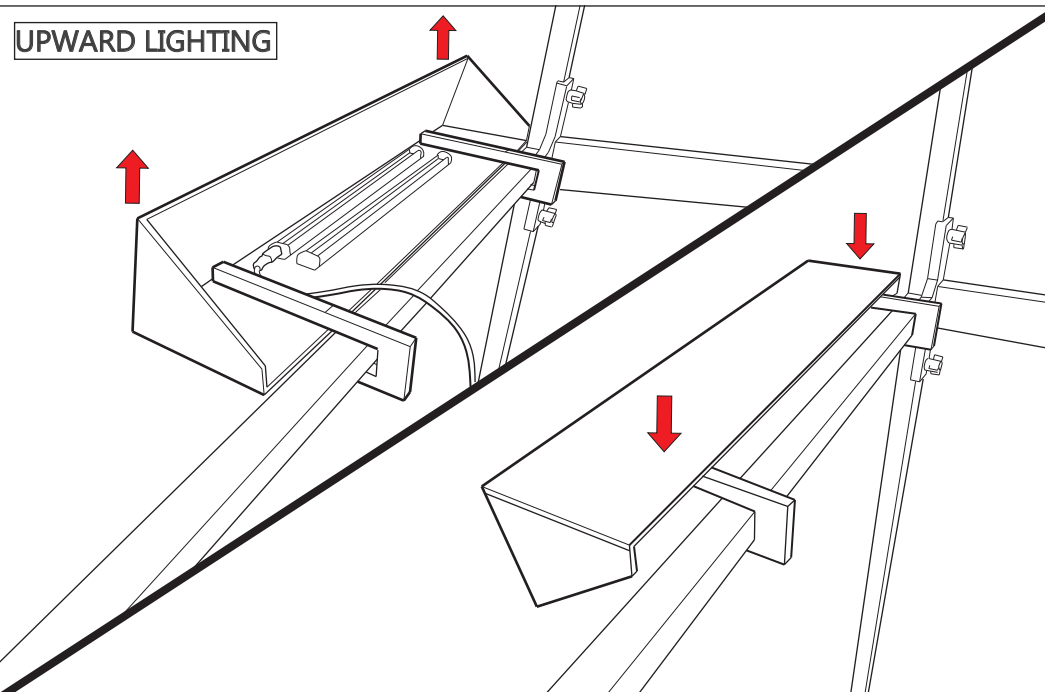
1 REMOVE MOUNTS FROM THE SCONCE THAT ARE ATTACHED VIA VELCRO.



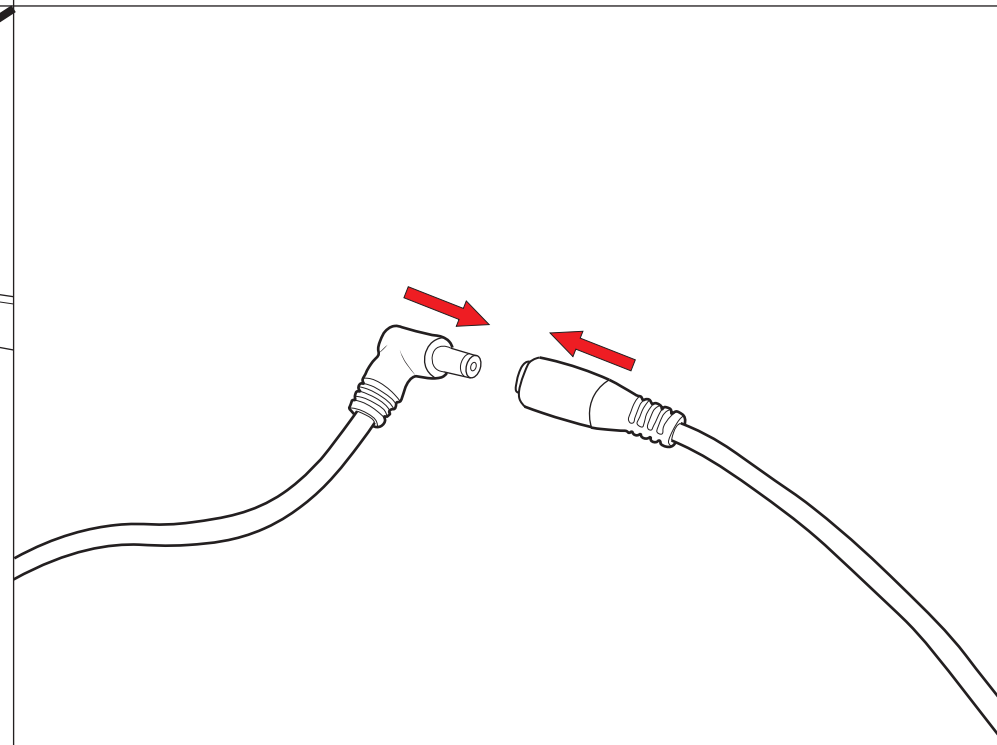
2 PLACE MOUNTS APPROX. 15.5" APART AT THE PROPER LOCATION OF THE MULTIQUAD FRAME DEFINED BY THE GRAPHIC PANEL LAYOUT.



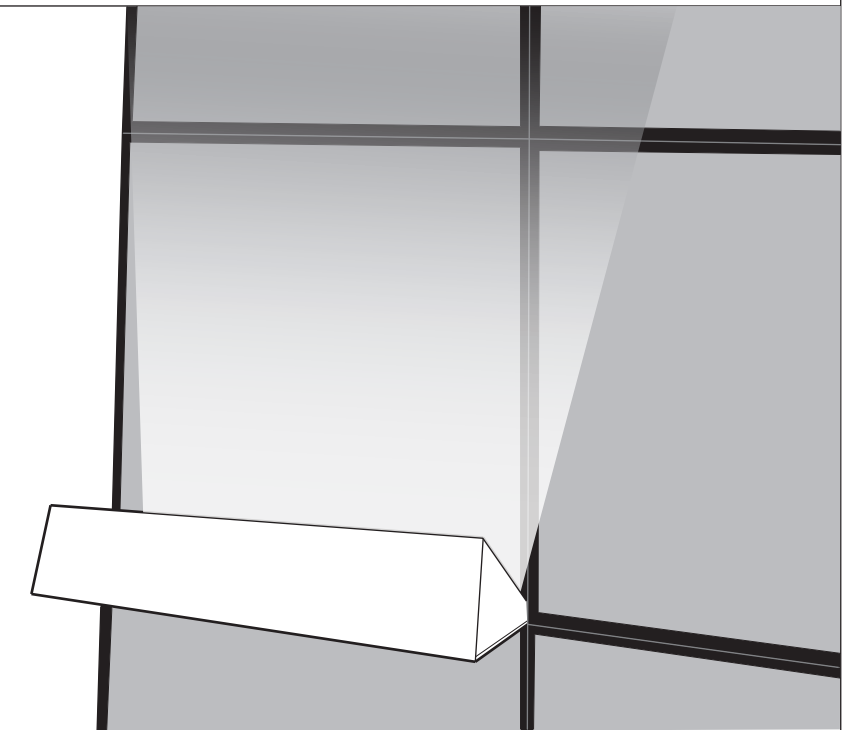
3 ATTACH THE GRAPHIC PANELS, ALIGNING THE SLOTS WITH THE MOUNT PEGS SO THAT THE GRAPHIC PANEL SITS PROPERLY ON THE DISPLAY.



4 ATTACH THE SCONCE USING THE VELCRO STRIPS ON BOTH THE SCONCE AND MOUNTS AND FEED THE CORD THROUGH THE GRAPHIC PANEL. ENSURE A SECURE ATTACHMENT.



5 PLUG THE POWER CORD CONNECTED TO THE LIGHT STRIP ATTACHED TO THE WALL SCONCE INTO THE 24V ADAPTER.



6