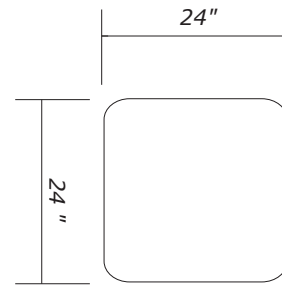
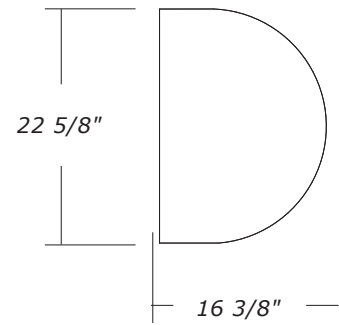
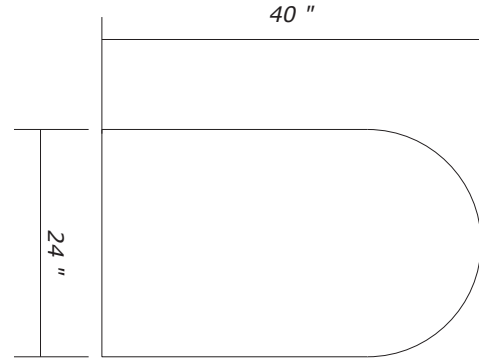
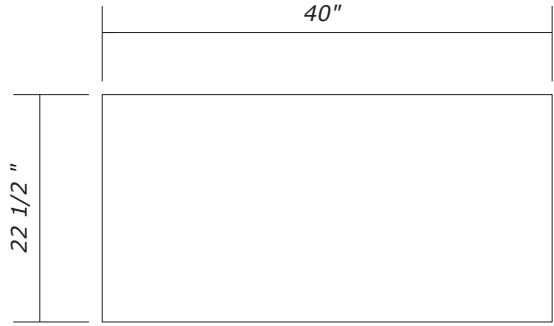
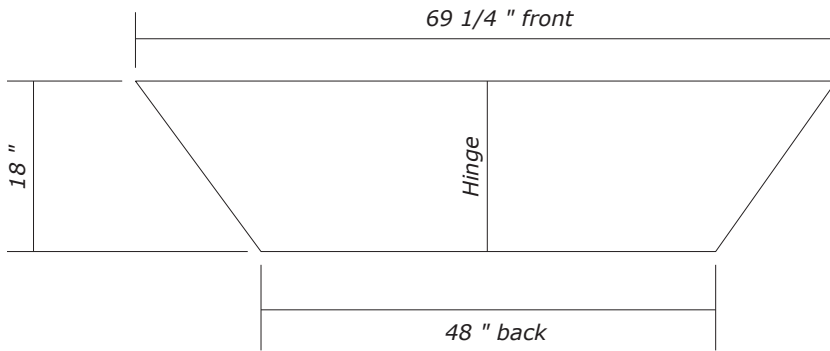
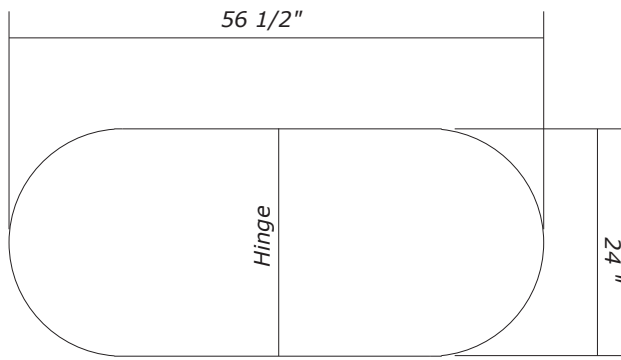
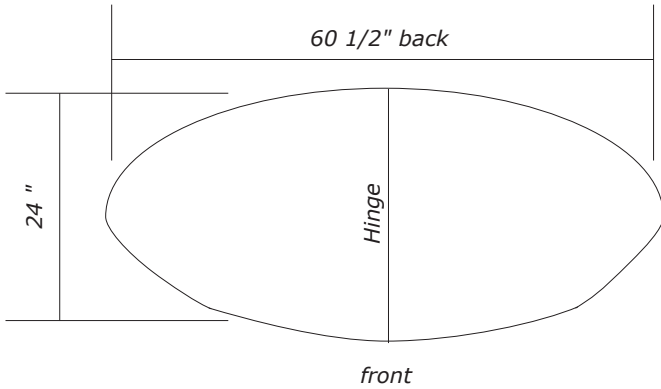


Standard counter tops

Please indicate general placement of grommet(s) by drawing circle(s) on tops
(Grommet diameter is 2 3/4")



Distributor: _____

Expo order #: _____

Customer: _____

Date: _____

Quote #: _____



A Division of Diamond Displays International

*weights and measurements are approximate